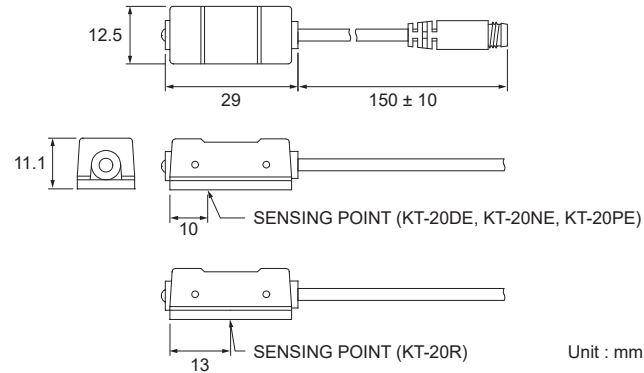


KT-20 SERIES



Dimensions

KT-20R, KT-20DE, KT-20NE, KT-20PE /
KT-20R-QD, KT-20DE-QD, KT-20NE-QD, KT-20PE-QD



M8 QD Pinout

- 3 wire QD wiring**
- 2 wire QD wiring**
- 2 wire EQD wiring**

Specifications

MODEL	KT-20R	KT-20DE	KT-20NE	KT-20PE
Connect Diagram				
Characteristics	2-Wire type		3-Wire type	
Wiring Method	2-Wire type		3-Wire type	
Switching Logic	SPST, Normally Open		Solid State Output, Normally Open	
Sensor Type	Reed Switch	-	NPN Current Sinking	PNP Current Sourcing
Operating Voltage	5 ~ 240 V DC / AC		5 ~ 30 V DC	
Switching Current	100 mA max.	50 mA max.	200 mA max.	
Contact Rating ※1	10 W max.	1.5 W max.	6 W max.	
Current Consumption ※2	-		6 mA @ 24 V DC max.	
Voltage Drop ※2	3.5 V max.	3.7 V max.	0.5 V max.	
Leakage Current ※2	-	0.1 mA (40 uA) max.	0.01 mA max.	
Indicator	Green LED	Red LED		Green LED
Lead Wire	Ø3.9 PVC - 24 AWG (0.22 mm ²) - 2 cores	Ø4 PVC - 24 AWG (0.22 mm ²) - 2 cores	Ø4 PVC - 24 AWG (0.22 mm ²) - 3 cores	
Operating Frequency	200 Hz	1000 Hz max.		
Magnet Requirement ※2, 3	80 Gauss	50 ~ 1000 Gauss		
Temperature Range	-10 ~ 70 °C			
Shock ※4	30 G	50 G		
Vibration ※5	9 G			
Enclosure	IEC 60529 IP67			
Protection Circuit ※6	1	3, 4		

NOTE

- ※1 : WARNING : Never exceed rating (Watt = Voltage × Amperage). Permanent damage to sensor will occur.
- ※2 : It bases on conditions of voltage 24 V DC, ambient temp. 25 °C and 2 meters cable of sensor. Voltage drop increases in pace with cable length.
- ※3 : Measuring standard target : Ø15.5 × Ø8 × 5t (Anisotropy rubber magnet)

- ※4 : Sin wave / X, Y, Z 3 directions / 3 times each direction / 11 ms each time.
- ※5 : Double amplitude 1.5 mm / 10 Hz ~ 55 Hz ~ 10 Hz (Sweep 1 min) / X, Y, Z 3 directions / 1 hour each time.
- ※6 : 1 = None / 2 = Short-circuit / 3 = Power Source Reverse polarity / 4 = Surge Suppression

Clamp / Bracket

KT-20 & KT-21 series can be applied to many kind of cylinders

