

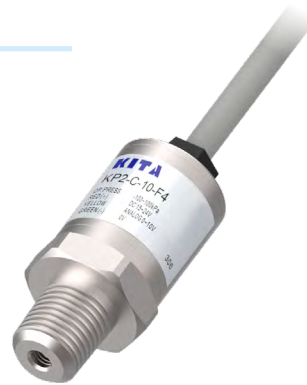
KP2

SERIES

Pressure Sensor

Features

- Corrosive fluid or gas available (in the pipeline)
- Sensor parts & Fitting parts : SUS316L
- Compact size, simple installation
- Analog output (0 ~ 10 V or 4 ~ 20 mA)
- IP65 enclosure



Specifications

| MODEL | KP2-C-10 | KP2-C-11 | KP2-P-10 | KP2-P-11 |
|--------------------------------------|--|--|--------------------------|----------|
| | Compound Pressure | | Positive Pressure | |
| Rated Pressure Range | -100 ~ 100 kPa | | 0 ~ 1.0 MPa | |
| Withstand Pressure | 500 kPa | | 5 MPa | |
| Fluid | Fluid or air that will not corrode SUS316L and fluororubber (FKM) | | | |
| Sealed Liquid | Silicone oil | | | |
| Power Supply Voltage | 15 ~ 24 V DC \pm 10 %, Ripple (P-P) \leq 10 % | | | |
| Current Consumption | < 10 mA (with no load) | - | < 10 mA (with no load) | - |
| Hysteresis | \pm 0.1 % F.S. | | | |
| Repeatability | \pm 0.1 % F.S. | | | |
| Analog Output (Voltage Output) | Output Voltage : 0 ~ 10 V \pm 1 % F.S. Linearity : \pm 0.5 % F.S. | | | |
| Analog Output (Current Output) | Output Current : 4 ~ 20 mA \pm 1 % F.S. Linearity : \pm 0.5 % F.S. Max. Load Impedance : 150 Ω at power supply of 15 V, 750 Ω at power supply of 24 V | | | |
| Environment | Enclosure | IP65 | | |
| | Ambient Temp. Range | Operation : -20 ~ 80 °C ; Storage : -40 ~ 120 °C (No condensation or freezing) | | |
| | Ambient Humidity Range | Operation / Storage : 35 ~ 85 % RH (No condensation) | | |
| | Withstand Voltage | 250 V AC in 1-min (between case and lead wire) | | |
| | Insulation Resistance | \geq 100 M Ω (at 500 V DC, between case and lead wire) | | |
| Temperature Characteristic | $\leq \pm$ 1.5 % F.S. of detected pressure (25 °C) at temp. (Range of -20 °C ~ 85 °C) | | | |
| Port Size | F4 : R1/4", M4 ; F6 : G1/4", M4 | | | |
| Lead Wire | \varnothing 5.5 PVC - 24 AWG (0.2 mm ²) - 3 cores | | | |
| Weight (with 3 meter lead wire) | Approx. 177 g | | | |

Ordering Information

K P 2 - C - 1 0 - F 4

Pressure Range

C : Compound pressure (-100 ~ 100 kPa)
 P : Positive pressure (0~1.0 MPa)

Pressure Port

F4 : R1/4", M4
 F6 : G1/4", M4

Output Specifications

10 : Analog Output (0 ~ 10 V)
 11 : Analog Output (4 ~ 20 mA)

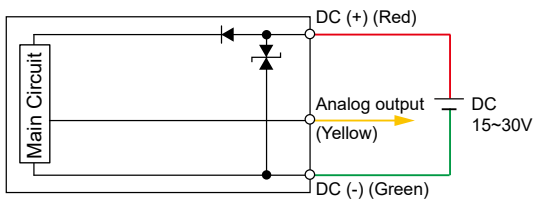
Optional Parts

I-0545 : Snubber

Output Circuit Wiring Diagrams

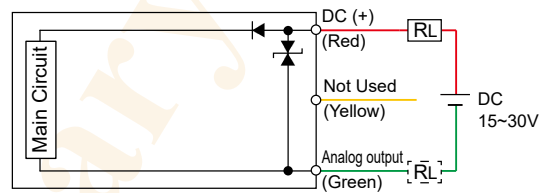
KP2 - □ - 10

Analog Output (0 ~ 10 V)



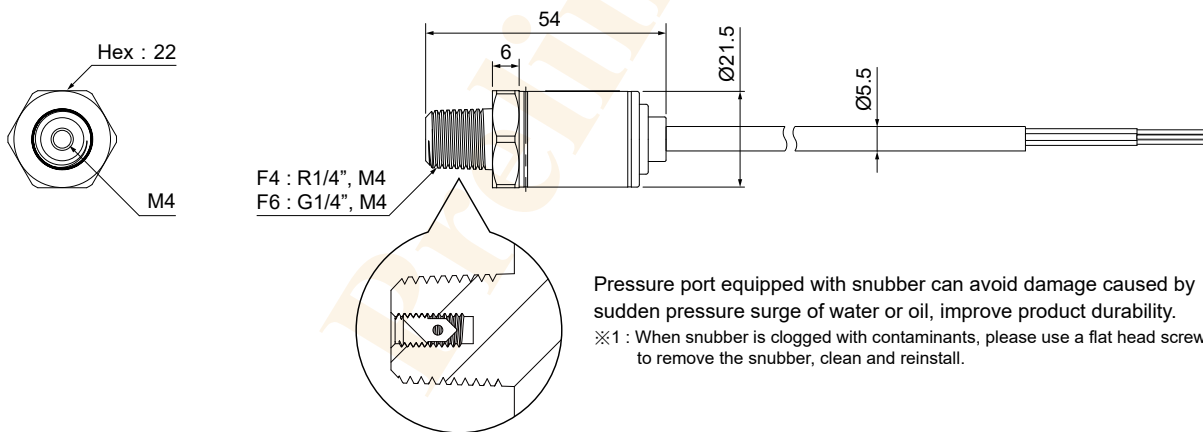
KP2 - □ - 11

Analog Output (4 ~ 20 mA)



※ Please instal Load on Power Supply Voltage (DC+) or Analog output side)

Dimensions



Pressure port equipped with snubber can avoid damage caused by sudden pressure surge of water or oil, improve product durability.

※1 : When snubber is clogged with contaminants, please use a flat head screwdriver to remove the snubber, clean and reinstall.

Unit : mm