

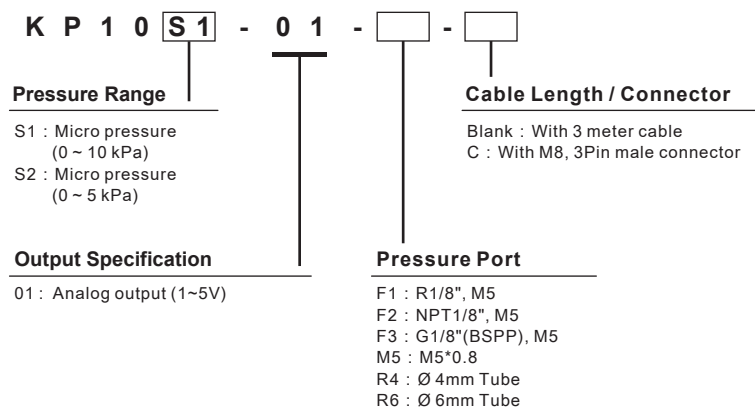
For your safety, please read the following before using.

- ① Do not use corrosive or flammable gas or liquid with this product.
- ② Please use within the setting pressure range. Do not apply pressure beyond recommended maximum pressure, permanent damage to the pressure sensor may occur.
- ③ Do not drop, hit or allow excessive shock. Even if switch body appears undamaged, internal components may be broken and can cause malfunction.
- ④ Turn power off before connecting wiring. Wrong wiring or short circuit will damage and/or cause malfunction.
- ⑤ Do not use in environment containing steam or oil vapor.
- ⑥ This product is not explosion-proof rated. Do not use in atmosphere containing flammable or explosive gases.
- ⑦ Wiring for pressure sensor should avoid power source line and high voltage line. If use in the same circuit, noise may cause malfunction.
- ⑧ ESD protection $\pm 4\text{KV}$.
- ⑨ Sensors at end-of-life must be disposed of in accordance with E-Waste regulations of the country/region, NOT disposed of with regular garbage.

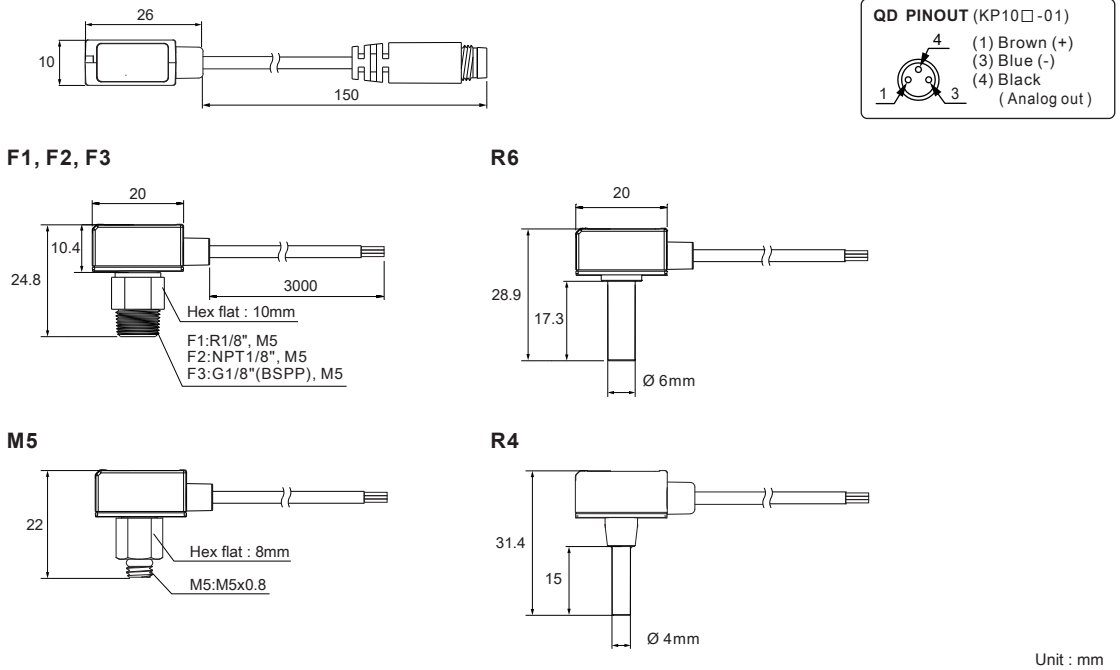
A SPECIFICATIONS

MODEL		KP10S1	KP10S2
Rated pressure range		0 ~ 10 kPa	0 ~ 5 kPa
Withstand pressure		20 kPa	
Fluid		Filtered air, Non-corrosive/Non-flammable gas	
Power supply voltage		12 ~ 24V DC (5% ripple voltage)	
Current consumption		$\leq 15 \text{ mA}$	
Analog output		1 ~ 5V $\pm 1\%$ F.S. Linearity : $\pm 0.5\%$ F.S.	1 ~ 5V $\pm 1.5\%$ F.S. Linearity : $\pm 1\%$ F.S.
Environment	Enclosure	IP40	
	Ambient temp. range	Operation : 0 ~ 50 °C, Storage : -20 ~ 70 °C (No condensation or freezing)	
	Ambient humidity range	Operation / Storage : 35 ~ 85 % RH (No condensation)	
	Vibration	Total amplitude 1.5 mm or 10 G, 10 Hz ~ 55 Hz ~ 10 Hz scan for 1 minute, 2 hours each direction of X, Y and Z	
	Shock	980 m/s ² (100 G), 3 times each in direction of X, Y and Z	
Temperature characteristic		$\pm 3\%$ F.S. of detected pressure (25°C) at temp. (Range of 0 ~ 50°C)	
Piping size		R4 : $\varnothing 4\text{mm}$; R6 : $\varnothing 6\text{mm}$; F1 : R1/8",M5; F2 : NPT1/8",M5; F3 : G1/8"(BSPP) ,M5; M5 : M5*0.8	
Lead wire		$\varnothing 2.6$ Oil-resistance cable (PVC) - 26 AWG (0.15 mm ²) - 3 cores	
Weight (with 3 meter lead wire)		Approx. 50 g	

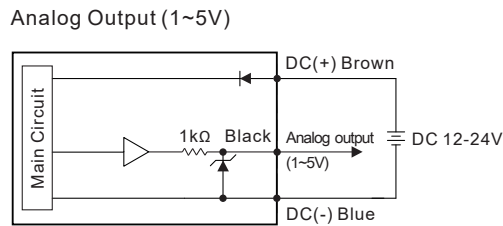
B ORDERING INFORMATION



C DIMENSIONS



D CIRCUIT WIRING DIAGRAM



E OUTPUT TYPE

