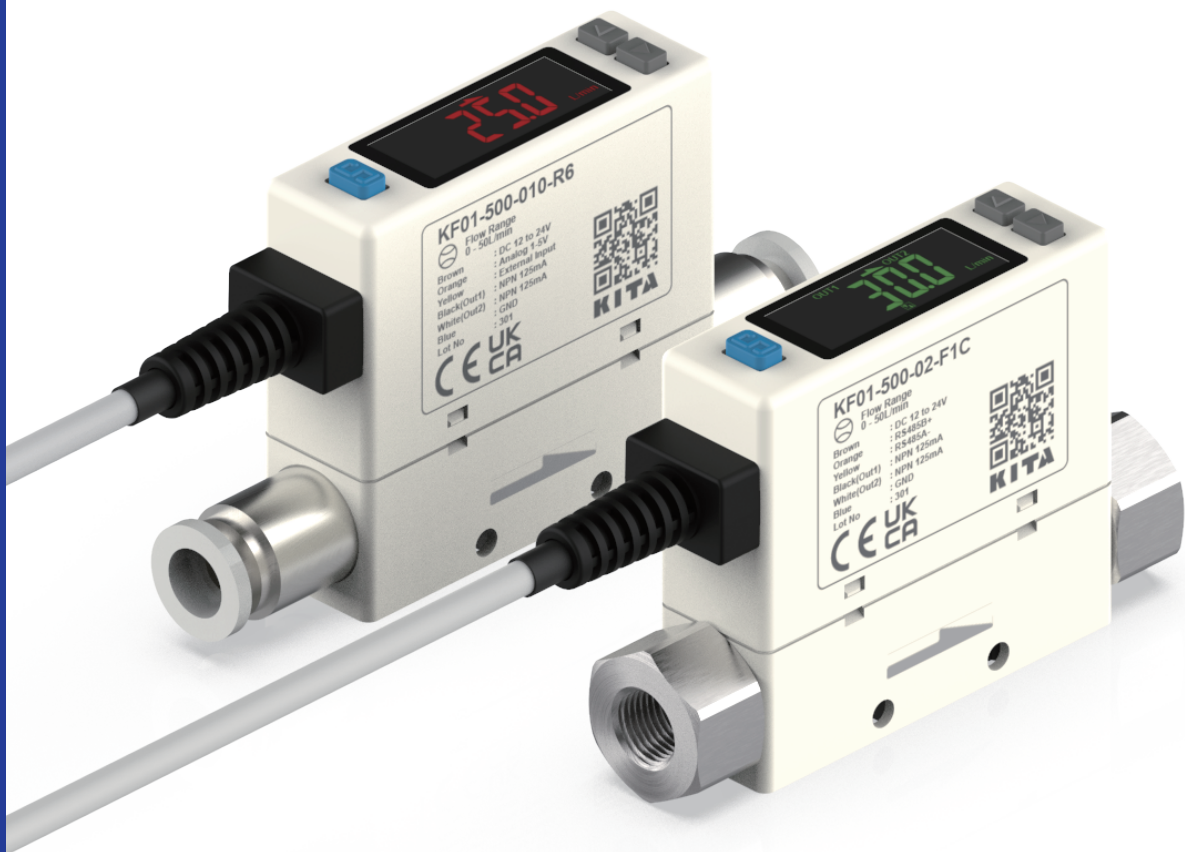


INSTRUCTION MANUAL

DIGITAL FLOW SENSOR




KF01 Series





Product Safety Instructions

■ This section indicate the levels of risks with the labels of Danger, Warning and Caution.

 Danger	Danger indicates high level of risk, will lead to fatal or serious injuries if not avoided.
 Warning	Warning indicates medium level of risk, it might cause death or serious injuries.
 Caution	Caution indicates low level of risk, it might result in minor injuries, such as scald, electric shock, etc. and the product, equipment and machines might be damaged.

Warning

■ Precautions for use

- ① **Operate within the specified voltage.**
Malfunction or damaged product, electric shock or fire may be resulted by exceeding the specified voltage range.
- ② **Do not exceed the maximum load current.**
It may damage the product.
- ③ **Do not use any load that generates surges.**
Surge protection is present but applying surge voltage repeatedly will ultimately damage the product.
When using with inductive load (such as relay or solenoid), please install a flyback diode across the load (polarity must be observed).
- ④ **Observed the internal voltage drop.**
When used at a specified voltage, if the sensor is functional but the load does not work, please check if the operating voltage of the load meets the following formula.

$\text{Power Supply} - \text{Internal voltage} > \text{Minimum operating voltage}$
$\text{drop of sensor} \quad \text{voltage of load}$
- ⑤ **Please follow the rated range of flow and pressure to avoid damage.**
- ⑥ **Do not use flammable fluids and/or permeable fluids.**
They may cause fire, explosion or corrosion.

■ Working fluid and working environment

- ① **Do not use in an explosive gas atmosphere.**
The sensor does not have explosion-proof structure, fire, explosion or corrosion can result.
- ② **Do not use near a surge voltage generated area.**
If product is nearby the device of surge voltage (e.g., lightning strikes, solenoid lifters, high frequency induction furnaces, motors, etc.), please take measures against the surge sources to prevent damage.
- ③ **Do not use in an environment where sensors could be splashed by water or oil.**
Enclosure rating is IP40, please avoid water or oil splashed environment to prevent adversely effects.
- ④ **Do not use in an environment subject to large temperature cycling.**
Internal components of the sensor will be damaged by large heating/cooling cycles other than ordinary changes in temperature.
- ⑤ **Do not mount the product in locations where it is exposed to radiant heat.**

 **Warning**
■ Wiring Precautions

- ① **Check wire color and terminal number when wiring.**
Incorrect wiring can cause permanent damages to the sensor, check wire color and terminal number according to the manual before wiring.
- ② **Avoid repeatedly bending or stretching the lead wire.**
It can cause damage to the sheath, or breakage of the wire.
- ③ **Ensure wiring insulation**
Please ensure the insulation of the wiring (including interference from other circuits and poor insulation between terminals) to prevent overcurrent from damaging the product.
- ④ **Please use a separate route for the product wiring and any power or high voltage wiring to avoid noise interruption.**
- ⑤ **Do not short-circuit the load.**
When the load is short-circuited, an error will be displayed. But excess current may cause damage to the sensor.
- ⑥ **Do not install the product, contact or plug terminals while power is on to avoid electric shock, malfunction or product damage.**
- ⑦ **RS485 products must be connected the communication wire first.**
For RS485 MODBUS wiring, please connect RS485 (B+) or (A-) before powering to avoid short circuits resulting in product damage.

■ Installation Precautions

- ① **Ensure the flow direction of the fluid.**
Please follow flow direction indicator for installation and piping.
- ② **Flush out all dirt and dust by air blow before connecting the piping to the sensor.**
- ③ **Do not drop or hit.**
When installation, do not drop, hit or apply excessive shock (100m/s²), permanent damage to the internal component of the sensor may occur.
- ④ **Do not install multiple products in close proximity.**
The heat generated from each product could cause the temperature to rise and change the characteristics of product or deterioration of the plastic parts. Please set the products 10mm apart from each other.
- ⑤ **Hold the sensor body when installing.**
The tensile strength of the cable is 24.5 N and apply excessive pulling force can cause damage to the sensor.

■ Other Precautions

- ① **After power is supplied, the output will remain off until the display is turned on. Please operate the sensor after the value is shown.**
- ② **Stop the control systems before perform setting changes.**
During the initial flow and pressure setting, the product will switch the output according to the existing settings until the changes are complete.

 **Caution**
■ Installation Precautions

- ① **Please follow the specified tightening torque.**
- ② **Do not mount the sensor in a place that will be used as a foothold.**
The product may damage if sit or step on it accidentally.
- ③ **When mounting without a bracket, please use P type self-tapping screw- M3 x L 6mm.**
- ④ **Do not remove the fixed pin for the One-Touch Fitting.**
To avoid losing the internal parts and cause malfunction.
- ⑤ **Please do not replace fittings by yourself.**
- ⑥ **While installing the KF01-101/201 to the pipe, please apply air tube with I.D. 5 mm.**
While installing the KF01-005/010/050/100/500 to the pipe, please apply air tube with I.D. 4 mm.

■ Maintenance Precautions

- ① **The accuracy could change by 2 to 3% when the piping is removed or replaced.**
- ② **Do not touch terminals or connectors when power is on.**

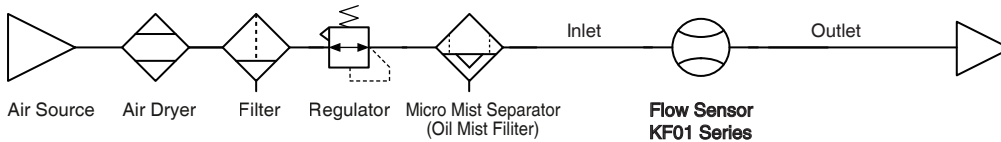
■ Disposal

- ① **Sensors at end-of-life must be disposed of in accordance with E-Waste regulations of the country/region, NOT disposed of with regular garbage.**

Warning

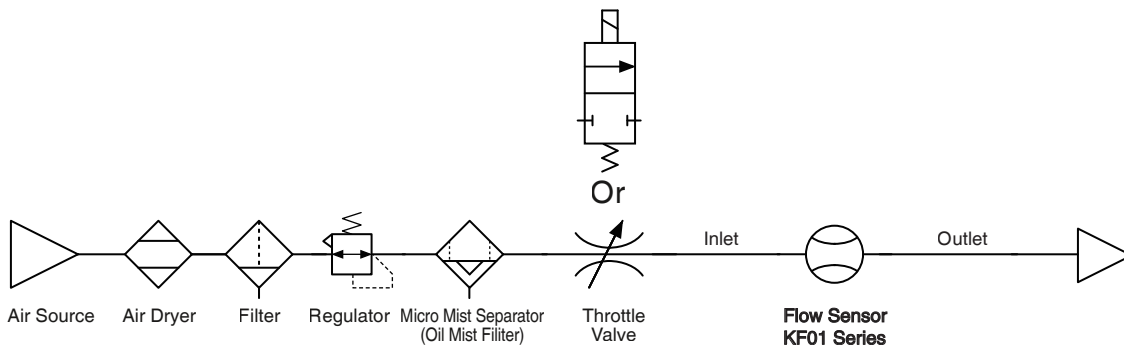
■ Fluid

- ① Check the regulator and flow adjustment valve before introducing the fluid.
- ② On the inlet side, be sure to install an air filter below the filtration level of 10um.
The sensing element cannot measure properly if foreign matter adheres to it.
- ③ Recommended Equipments and Installation



※ NOTE :
When measuring the pressure of the inlet side, install a throttle valve or solenoid valve on the outlet side.
When measuring the pressure of the outlet side, install a throttle valve or solenoid valve on the inlet side.

④ Recommended Equipments and Installation Example



Disclaimer

- ① Our warranty applies solely to our product, not to any other damages and injuries which occur by earthquakes, fires, the acts by third party, other matters, acts intentionally, acts accidentally, misuse, or other abnormal conditions that are not the responsibility of KITA.
- ② Our warranty applies solely to our product, not to any other additional damages (the loses of business profits, business interruption, etc.) incurred due to using or misusing the product.
- ③ Our warranty excludes any injuries and damages that happened by using the product beyond the specified range of function stated in the catalog or the instruction manual.

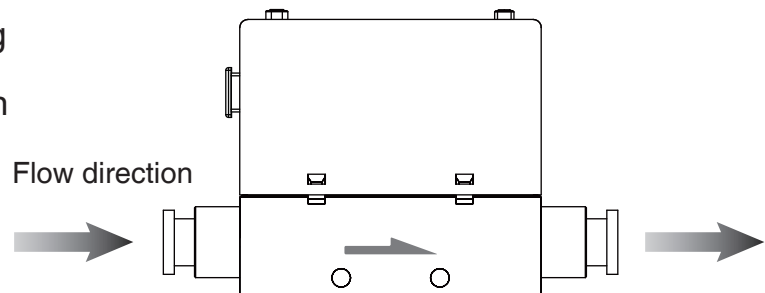
1	Installation Instructions	5
1.1	Piping	5
1.1.1	Piping for the One-Touch Fitting	5
1.1.2	Piping for the internal thread	6
1.2	Mounting bracket	7
1.3	Wiring	8
1.3.1	NPN output, Analog output and external input	8
1.3.2	PNP output, Analog output and external input	9
1.3.3	NPN output, RS-485 Modbus	10
1.3.4	PNP output, RS-485 Modbus	10
2	How to Use	11
2.1	Names and Functions of Individual Parts	11
2.2	Functions Instructions	12
2.3	Operation Setting	14
3	Modbus RTU Instruction	42
4	Error Code Instruction	44
5	Specifications	45
6	Thermal Mass Principles of Flow Sensor	46
7	Ordering Information	46
8	Dimensions	47
9	Internal Structure	49
10	Pressure Loss Characteristics	50

1 Installation

1.1 Piping

1.1.1 Piping for the One-Touch Fitting

Install the pipe by following the arrow indication that shows the air flow direction on the product.



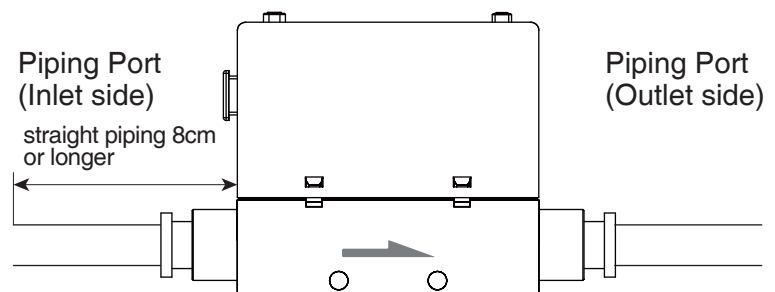
Use straight piping 8cm or longer to connect the Piping Port (Inlet side). If straight piping is not installed, the accuracy may vary by $\pm 2\%$ F.S..

※ Straight Piping: The pipe is without bending and the cross sectional areas of the pipe keeps the same.

While installing the KF01-101/201 to the pipe, please apply air tube with I.D. 5 mm.

While installing the KF01-005/010/050/100/500 to the pipe, please apply air tube with I.D. 4 mm.

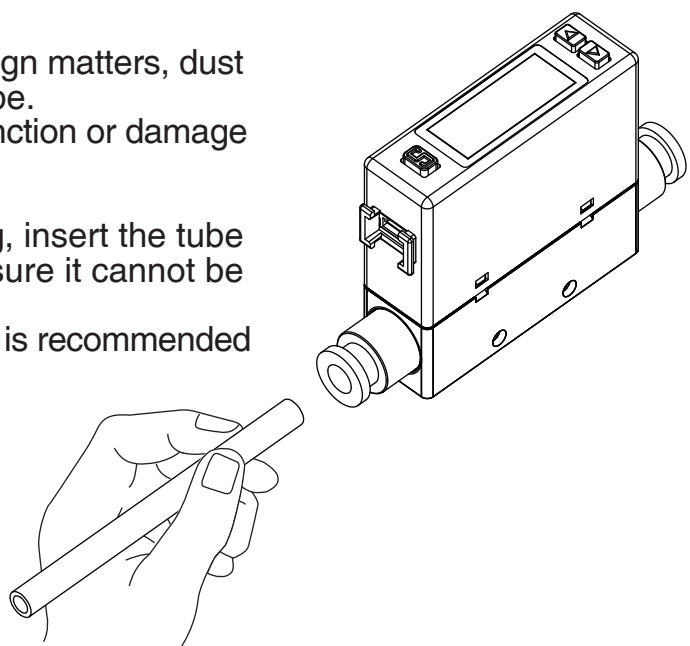
※ The accuracy can vary by approximately $\pm 2\%$ F.S. when such tubing is not used.



Blow the air to flush out the foreign matters, dust and etc. before installing the pipe. Uncleaned air may cause malfunction or damage to the product.

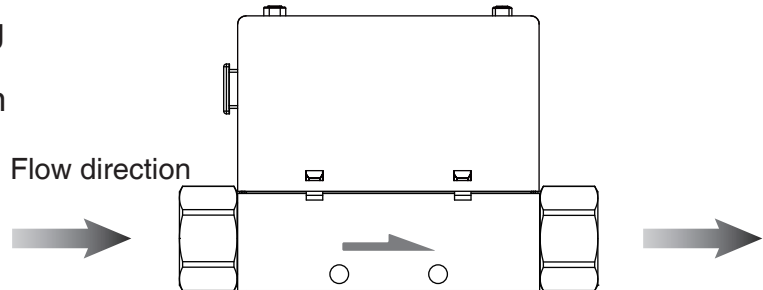
Piping for the One-Touch Fitting, insert the tube firmly into the fitting and make sure it cannot be pulled out. Also using the proper tube cutter is recommended to ensure square edge tube.

※ Recommends using PU tube.



1.1.2 Piping for the internal thread

Install the pipe by following the arrow indication that shows the air flow direction on the product.



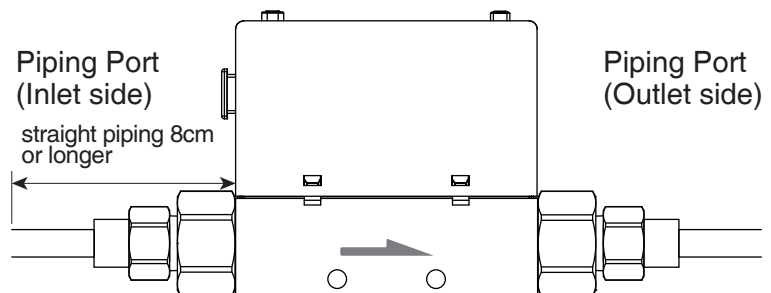
Use straight piping 8cm or longer to connect the Piping Port (Inlet side). If straight piping is not installed, the accuracy may vary by $\pm 2\%$ F.S..

※ Straight Piping: The pipe is without bending and the cross sectional areas of the pipe keeps the same.

While installing the KF01-101/201 to the pipe, please apply air tube with I.D. 5 mm.

While installing the KF01-005/010/050/100/500 to the pipe, please apply air tube with I.D. 4 mm.

※ The accuracy can vary by approximately $\pm 2\%$ F.S. when such tubing is not used.



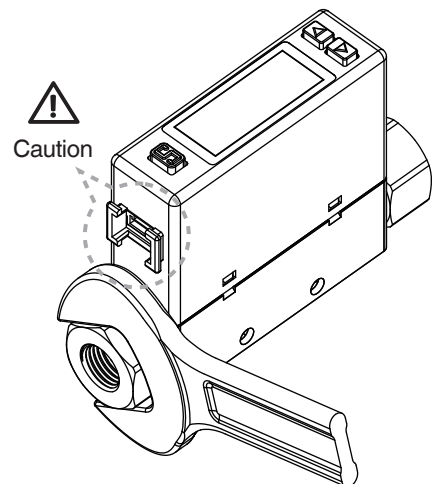
When mounting the fitting, a wrench should be used on the metal part.

Using on other parts of the product with a wrench may damage the product.

If the tightening torque is exceeded, the product can be broken.

If the tightening torque is insufficient, the fitting may become loose and cause air leakage. Please refer to the applicable torque below.

After installation completed, turn on the gas and power supply for proper operation and leaking test to confirm whether the installation is correct.



Piping Specification	Required Torque
Rc $\frac{1}{8}$ "	4 ~ 7 N.m
Rc $\frac{1}{4}$ "	6 ~ 8 N.m

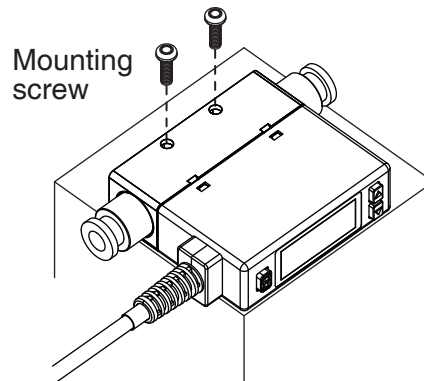
1.2 Mounting Bracket / Optional Parts

The LCD display may be difficult to see at certain angles.

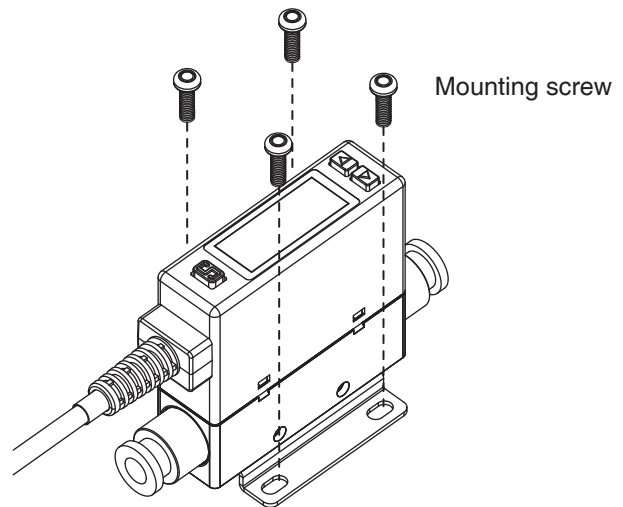
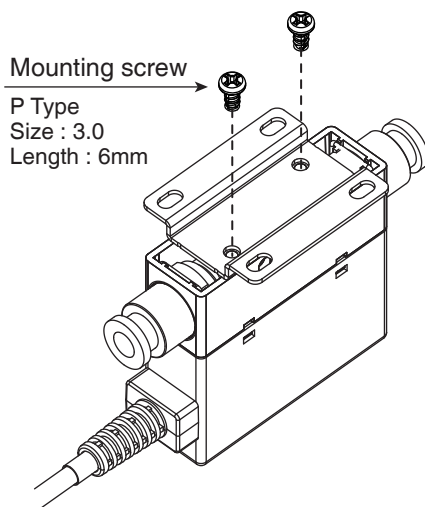
The sensor can be installed horizontally or vertically, but the flow rates may change because of the installation way of the product or piping.

The tightening torque for screws should be under 0.5 ± 0.1 N.m.

1 . Horizontal mounting (by Through-Hole)

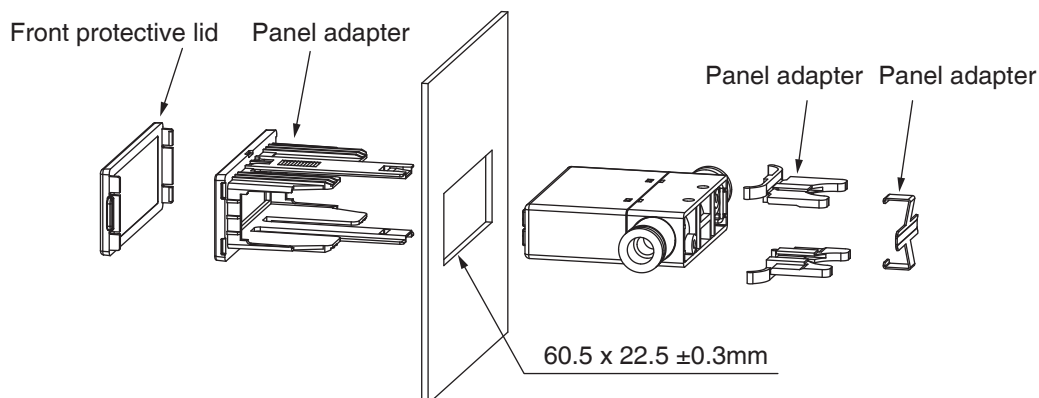


2 . Bracket mounting



※ The tightening torque for bracket mounting screws should be under 0.5 ± 0.1 N.m.

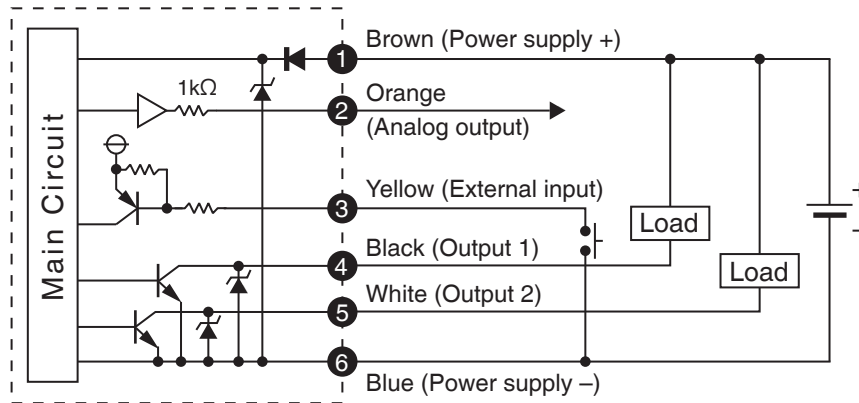
3 . Panel mounting



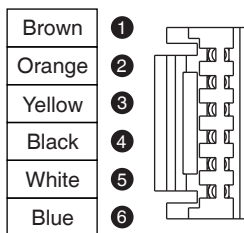
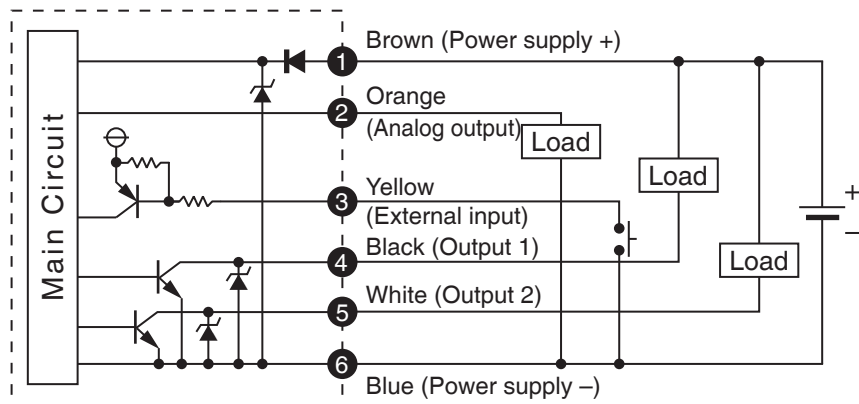
1.3 Wiring Diagrams

1.3.1 NPN Output, Analog Output and External Input

● NPN Output / Analog Voltage Output / External Input



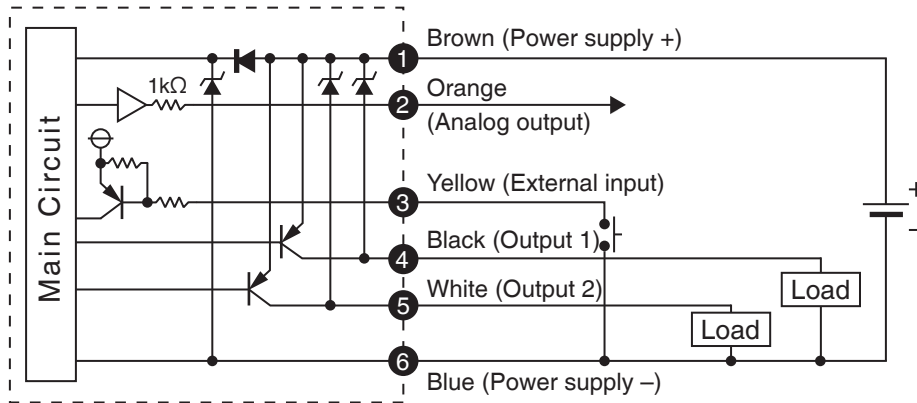
● NPN Output / Analog Current Output / External Input



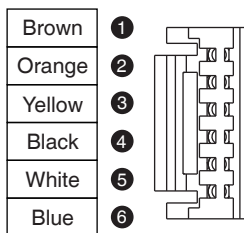
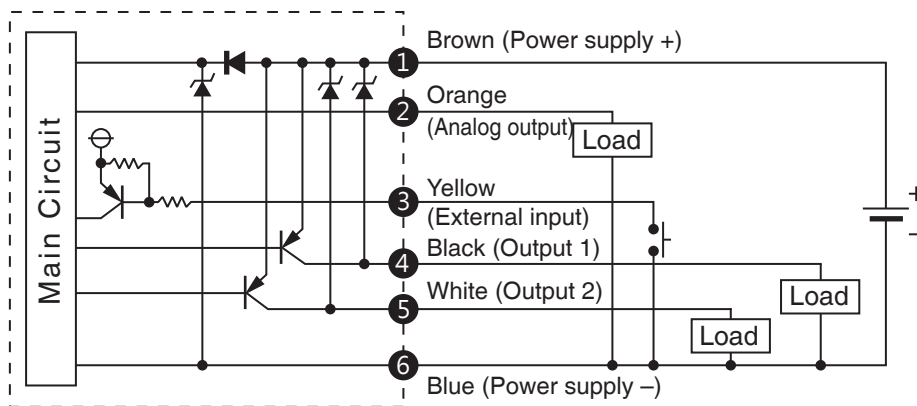
Pin No.	Line color	Content
1	Brown	Power supply (DC 12 to 24V DC)
2	Orange	Analog voltage output : 1 ~ 5V Analog current output : 4 ~ 20mA
3	Yellow	External input
4	Black	Output 1 (Max. load current : 125mA)
5	White	Output 2 (Max. load current : 125mA)
6	Blue	0V (GND)

1.3.2 PNP Output, Analog Output and External Input

● PNP Output / Analog Voltage Output / External Input

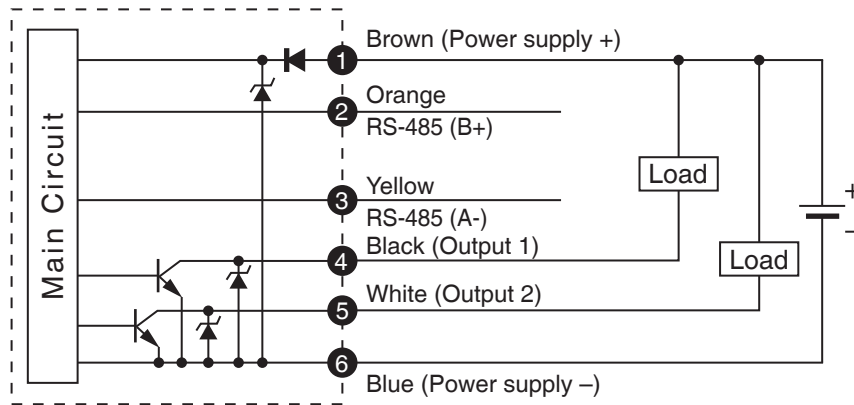


● PNP Output / Analog Current Output / External Input

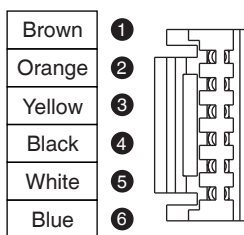
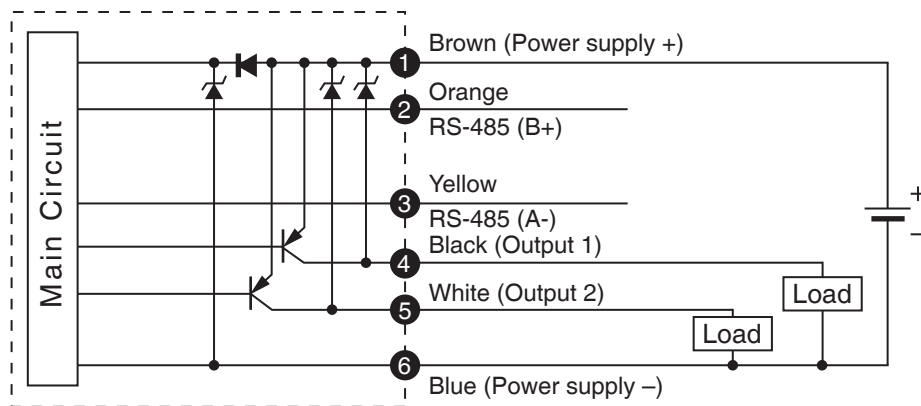


Pin No.	Line color	Content
1	Brown	Power supply (DC 12 to 24V DC)
2	Orange	Analog voltage output : 1 ~ 5V Analog current output : 4 ~ 20mA
3	Yellow	External input
4	Black	Output 1 (Max. load current : 125mA)
5	White	Output 2 (Max. load current : 125mA)
6	Blue	0V (GND)

1.3.3 NPN Output, RS-485 Modbus



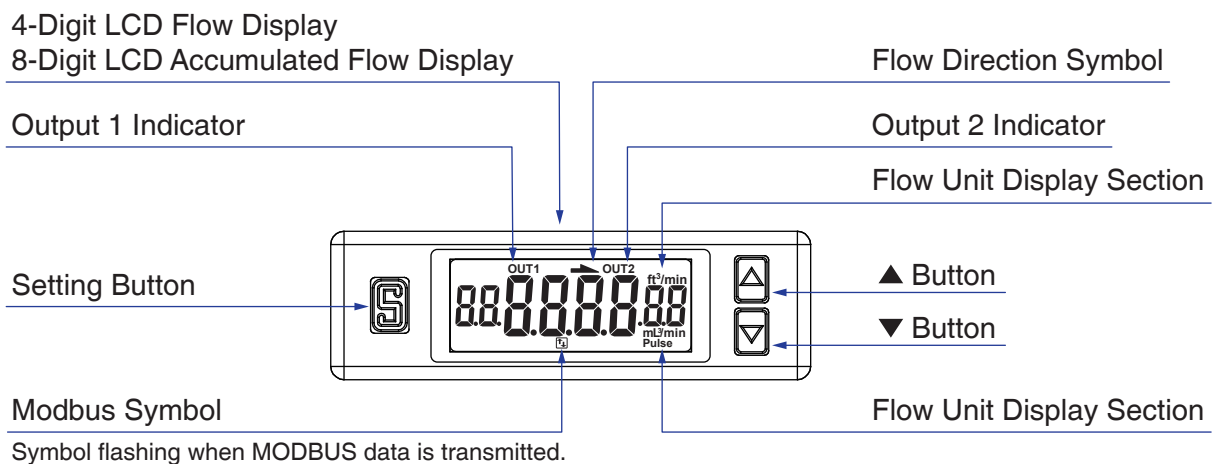
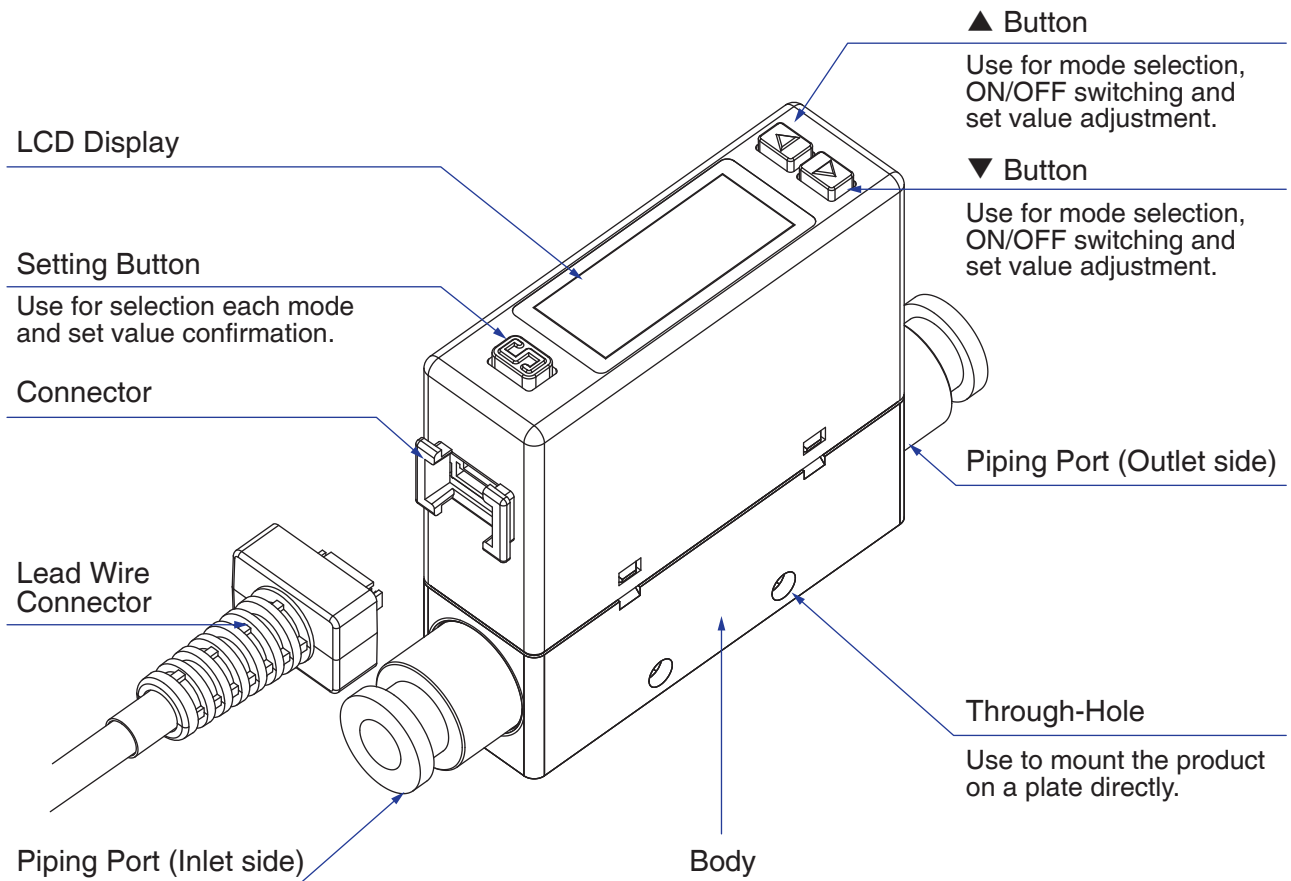
1.3.4 PNP Output, RS-485 Modbus



Pin No.	Line color	Content
1	Brown	Power supply (DC 12 to 24V DC)
2	Orange	RS-485 (B+)
3	Yellow	RS-485 (A-)
4	Black	Output 1 (Max. load current : 125mA)
5	White	Output 2 (Max. load current : 125mA)
6	Blue	0V (GND)

2 How to Use

2.1 Names and Functions of Individual Parts



2.2 Function Instruction

● Function Setting Mode

Function Code	Item	Default setting	Explanation	Page
[F-01]	[OUT1] OUT1 setting		Set Output 1 flow value to switch ON/OFF.	P.15
	[FLOUT] OUT1 output mode	HY5		
	[OUT1] OUT1 output type	no		
	[FL-1] OUT1 set value input	50% of maximum measured flow rate 005 : 250 mL/min 、 010 : 500 mL/min 050 : 2.50 L/min 、 100 : 5.00 L/min 500 : 25.0 L/min 、 101 : 50.0 L/min 201 : 100 L/min		
	[FH-1] OUT1 set value input	60% of maximum measured flow rate 005 : 300 mL/min 、 010 : 600 mL/min 050 : 3.00 L/min 、 100 : 6.00 L/min 500 : 30.0 L/min 、 101 : 60.0 L/min 201 : 120 L/min		
[F-02]	[OUT2] OUT2 setting		Set Output 2 flow value to switch ON/OFF.	P.17
	[FLOUT] OUT2 output mode	HY5		
	[OUT2] OUT2 output type	no		
	[FL-2] OUT2 set value input	50% of maximum measured flow rate 005 : 250 mL/min 、 010 : 500 mL/min 050 : 2.50 L/min 、 100 : 5.00 L/min 500 : 25.0 L/min 、 101 : 50.0 L/min 201 : 100 L/min		
	[FH-2] OUT2 set value input	60% of maximum measured flow rate 005 : 300 mL/min 、 010 : 600 mL/min 050 : 3.00 L/min 、 100 : 6.00 L/min 500 : 30.0 L/min 、 101 : 60.0 L/min 201 : 120 L/min		
[F-03]	[LCD] LCD Display setting		Select back light color and display mode.	P.20
	[d,SP] LCD Display corresponding to output	OUT1		
	[color] LCD Display color setting	500		
[F-04]	[RESP] Response time setting	800(ms)	Select the response time in 50ms, 80ms, 120ms, 200ms, 400ms or 1500ms for analog output.	P.22
[F-05]	[UPDR] Display refresh time of flow sensor setting	500(ms)	Display refresh cycle can be set in 200ms, 500ms or 1000ms.	P.23
[F-06]	[Unit] Unit setting		Select the UNIT of flow sensor.	P.24
	[FLOUT] Flow unit setting	LPN		
[F-07]	[EFE] Flow reference standard setting	ANR	Select the flow value is shown under standard (ANR) or normal condition (NOR).	P.25

Function Code	Item	Default setting	Explanation	Page
[F - 08]	[r o t R] Display rotation	oFF	Set Display Rotation.	P.26
[F - 09]	[EEP r] Accumulated value hold setting	oFF	To save the last accumulated flow value every 2 or 5 minutes.	P.27
[F - 10]	[d 5] Flow sensor display mode setting		Select to display Instantaneous Flow or Accumulated Flow Mode.	P.28
	[d5P] Flow sensor display mode setting	o5		
[F - 80]	[5Y n] Sync the value of flow analog output and display	oFF	Turn ON to synchronize the value of flow analog output and display.	P.29
[F - 9 1]	[E L o] Power-Save mode setting	o o	Select if turn on power-save mode to reduce power consumption	P.30
[F - 92]	[i n P] External input setting	r _ r	Select for Accumulated flow rate zero clear, Auto-Shift or Auto-Shift zero.	P.31
[F - 93]	[n b u 5] Modbus RTU setting		Set ID number, baud rate and transmission format.	P.32
	[i d] ID number setting	i		
	[r R t] Baud rate setting	96 (9600 Bd)		
	[F o r] Transmission format setting	o B i		
	[t r R] Communications protocol setting	r t u		
[F - 94]	[F i n E] Fine adjustment Setting	oFF	The displayed value can be adjusted slightly.	P.34
[F - 95]	[F o u t] Forced output function		To force output ON/OFF to test the switch function.	P.35
	[o u t i] Forced output function	oFF		
	[o u t 2] Forced output function	oFF		
[F - 99]	[r E S t] Reset to the default setting		Return to the factory default setting.	P.36
	[r 5 t] Reset to the default setting	oFF		


● Measurement Mode

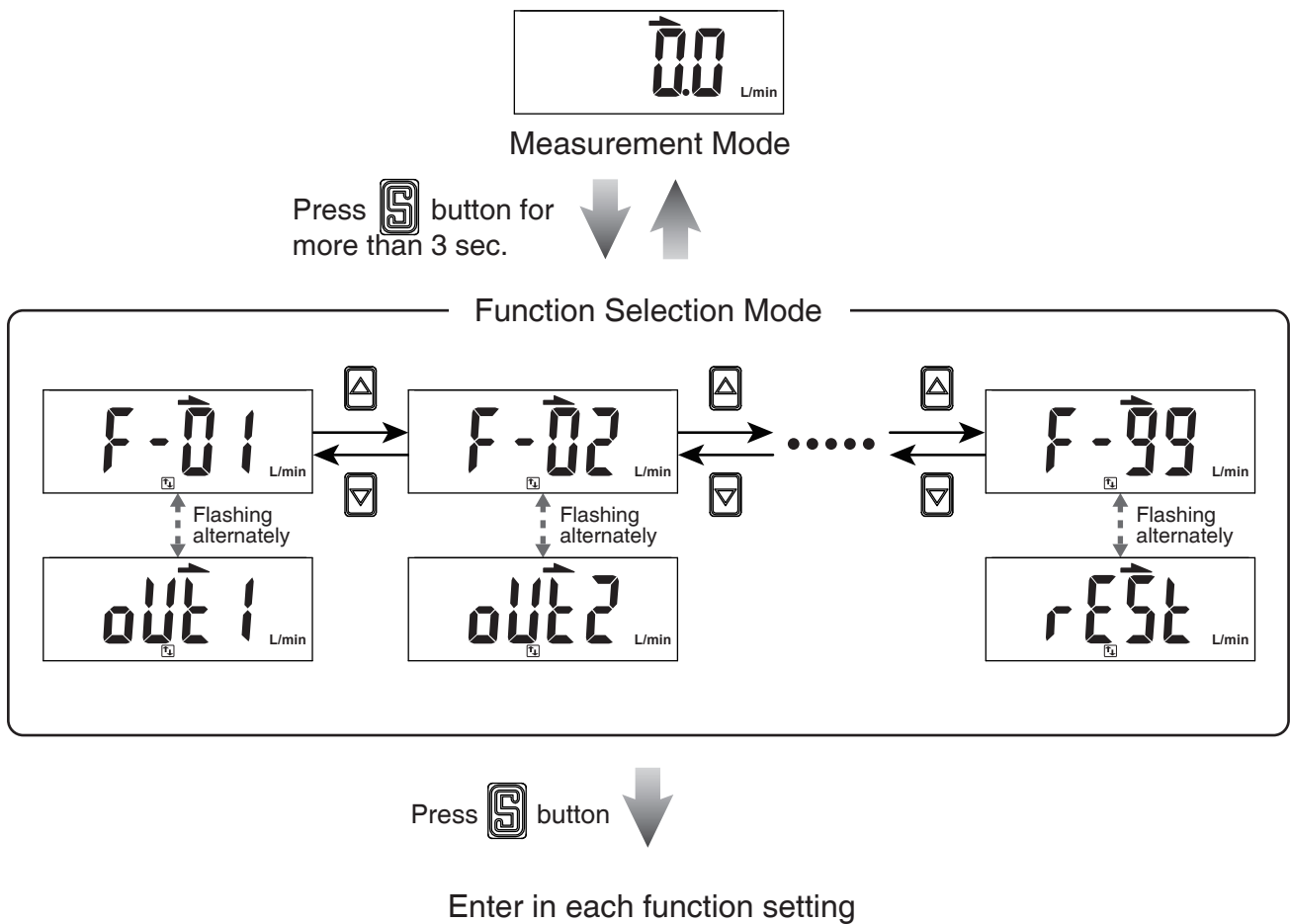
Item	Explanation
Flow display	Display instantaneous flow rate.
Accumulated flow rate display	Display accumulated flow rate.
Instantaneous Flow rate zero setting	The displayed instantaneous flow rate value can be adjusted to "0".
Accumulated flow rate zero clear	The accumulated flow rate can be set to "0".
Peak value display	The maximum pressure or instantaneous flow can be detected when the power is supplied for a period.
Bottom value display	The minimum pressure or instantaneous flow can be detected when the power is supplied for a period.
Key lock mode	To prevent errors occurring due to unintentional changes of the set values.

2.3 Operation Instructions

Function Selection Mode

At Measurement Mode, press  button for more than 3 sec. to display [F-01]. Press  or  button to select other setting functions.

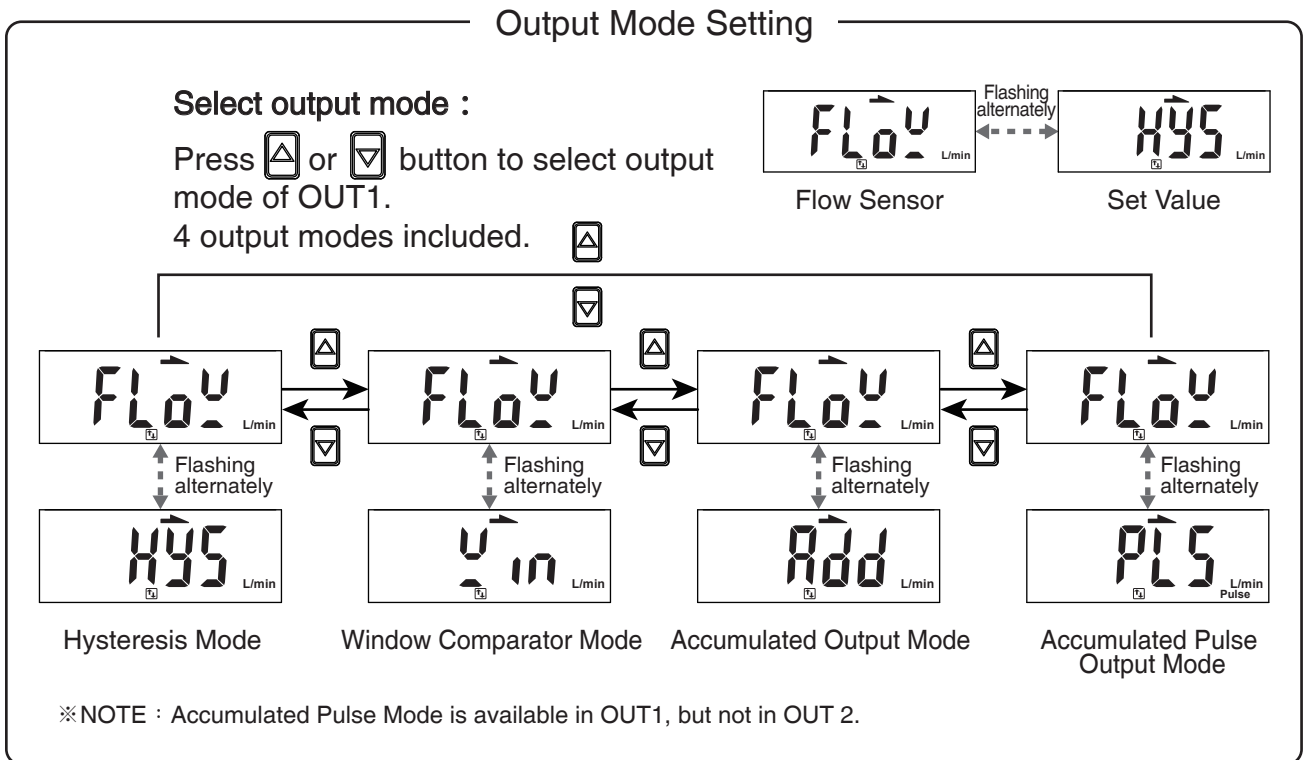
Press  for 3 sec. at Function Setting Mode to return to Measurement Mode.



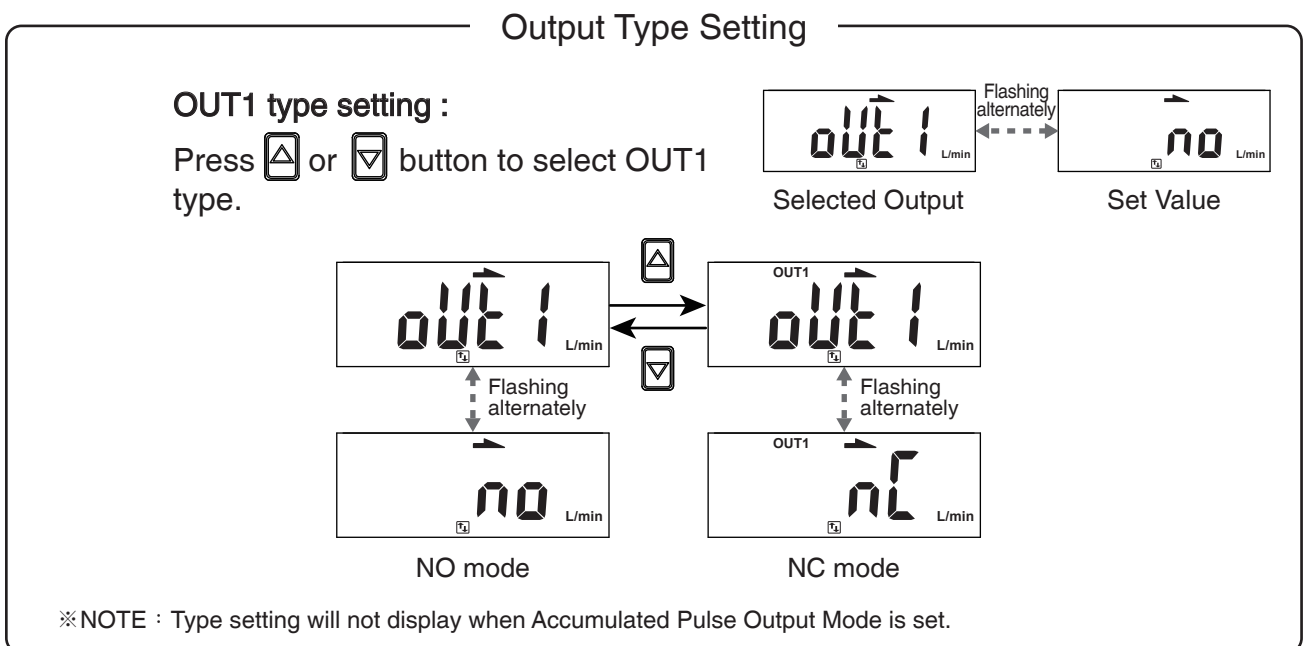
2.3.1 [F-□] OUT1 Setting

Press or button at Function Setting Mode to display [F-□] [OUT□].

Press button



Press button



Press  button  (to be continued)

Set Value Setting

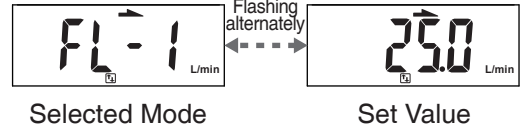
OUT1 set value setting :

Press  or  button to adjust the set value.

Hysteresis Mode [HY5] : [FL - i]

Window Comparator Mode [W.C] : [FL - i]

Accumulated Output Mode [Add] : [RdL i]



※NOTE : Set value setting will not display when Accumulated Pulse Output is set.

Press  button 

Set Value Setting

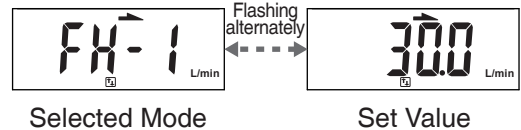
OUT1 set value setting :

Press  or  button to adjust the set value.

Hysteresis Mode [HY5] : [FH - i]

Window Comparator Mode [W.C] : [FH - i]

Accumulated Output Mode [Add] : [RdH i]





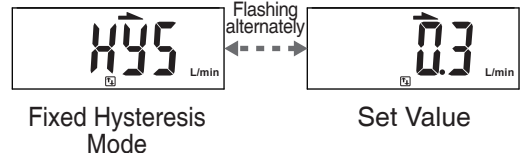
※NOTE : Set value setting will not display when Accumulated Pulse Output is set.

Press  button 



Fixed Hysteresis Setting

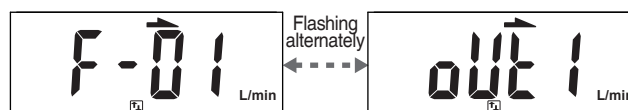
Fixed hysteresis setting :

Press  or  button to adjust fixed hysteresis value.



※NOTE : Fixed hysteresis setting is available when selecting Window Comparator Mode.

Press  button to return to Function Selection Mode 



2.3.2 [F-02] OUT2 Setting

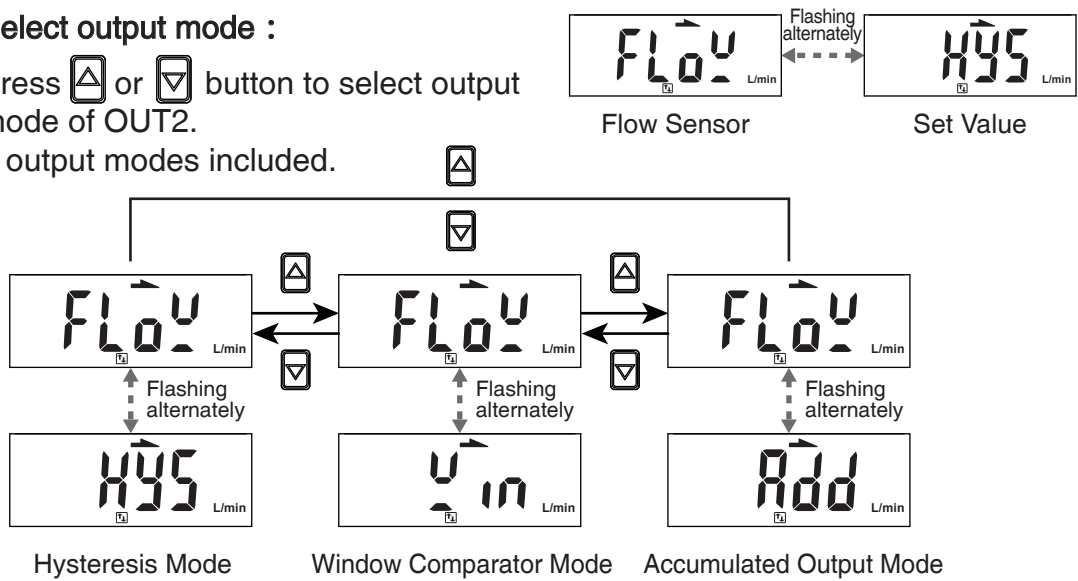
Press or button at Function Setting Mode to display [F-02] [OUT2].

Press button

Output Mode Setting

Select output mode :

Press or button to select output mode of OUT2.
3 output modes included.



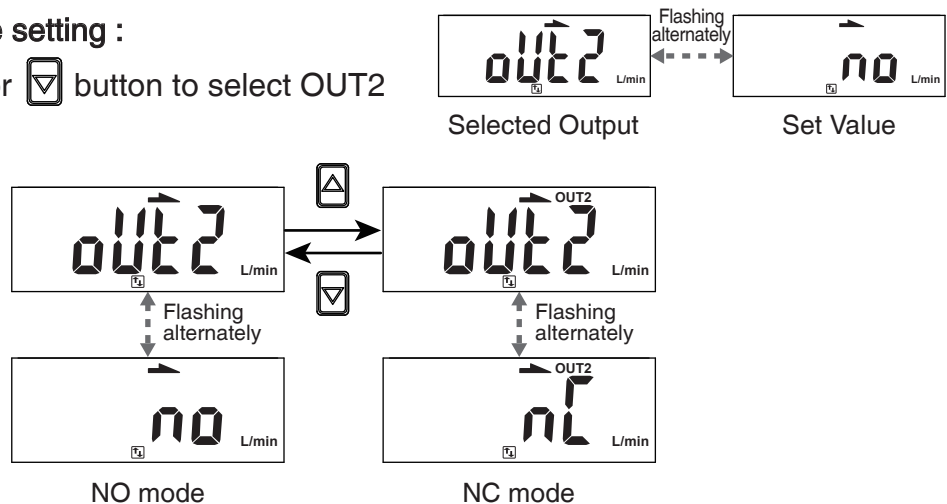
※NOTE : Accumulated Pulse Mode is available in OUT1, but not in OUT 2.

Press button

Output Type Setting

OUT2 type setting :

Press or button to select OUT2 type.



Press  button  (to be continued)

Set Value Setting

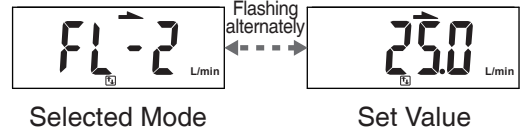
OUT2 set value setting :

Press  or  button to adjust the set value.

Hysteresis Mode [HY5] : [FL-2]

Window Comparator Mode [Win] : [FL-2]

Accumulated Output Mode [Add] : [RdL2]



Press  button 

Set Value Setting

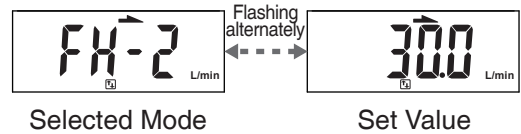
OUT2 set value setting :

Press  or  button to adjust the set value.

Hysteresis Mode [HY5] : [FH-2]

Window Comparator Mode [Win] : [FH-2]



Accumulated Output Mode [Add] : [RdH2]

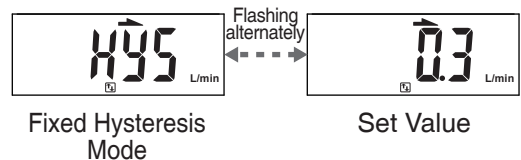


Press  button 



Fixed Hysteresis Setting

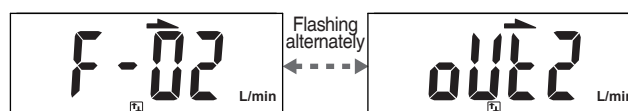
Fixed hysteresis setting :

Press  or  button to adjust fixed hysteresis value.



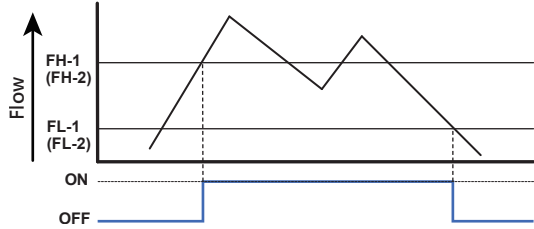
※NOTE : Fixed hysteresis setting is available when selecting Window Comparator Mode.

Press  button to return to Function Selection Mode 



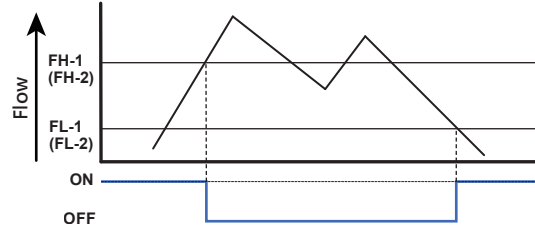
Normal Open Mode

Hysteresis Mode

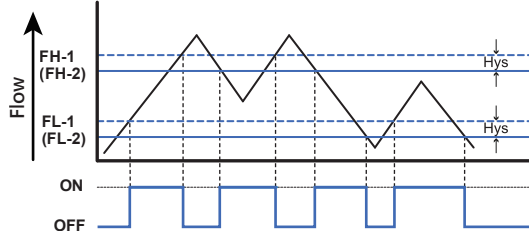


Normal Close Mode

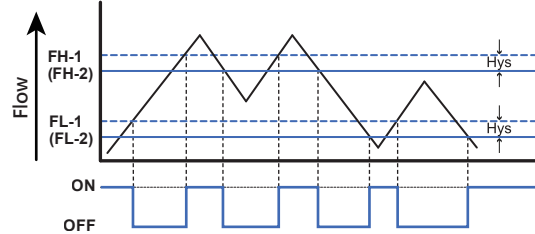
Hysteresis Mode



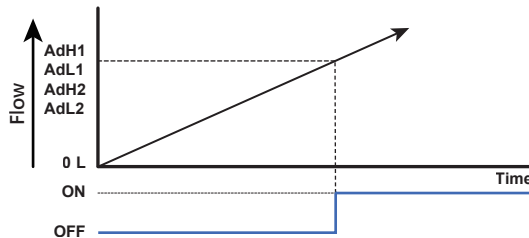
Window Comparator Mode



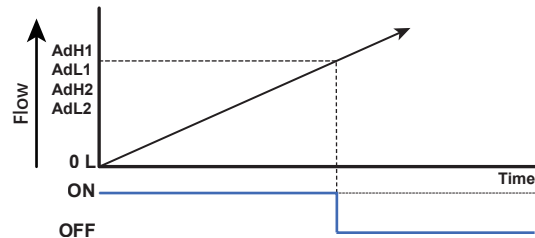
Window Comparator Mode



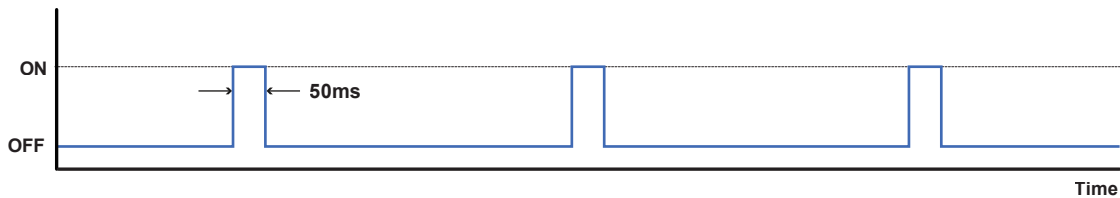
Accumulated Output Mode



Accumulated Output Mode



Accumulated Pulse Output Mode



Flow Range	500mL	1000mL	5L	10L	50L	100L	200L
Pulse Output Rate	5mL	10mL	0.05L	0.1L	0.5L	1L	2L

[NOTE:]

- *1. In case hysteresis is set at less than or equal to 2 digits, switch output may chatter if input detected fluctuates near the set point.
- *2. When using window comparator mode, the difference between two set points must be greater than the fixed hysteresis, otherwise will cause the switch output to malfunction.

2.3.3 [F-03] LCD Display Color Setting

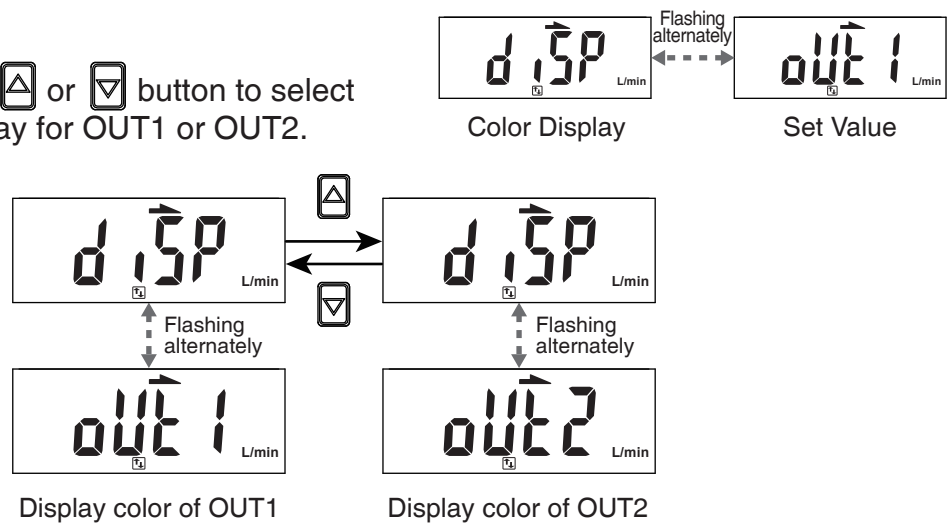
4 LCD Display Color Modes of output value selection.

Press or button at Function Selection Mode to display [F-03] [Color].

Press button

Output Selection

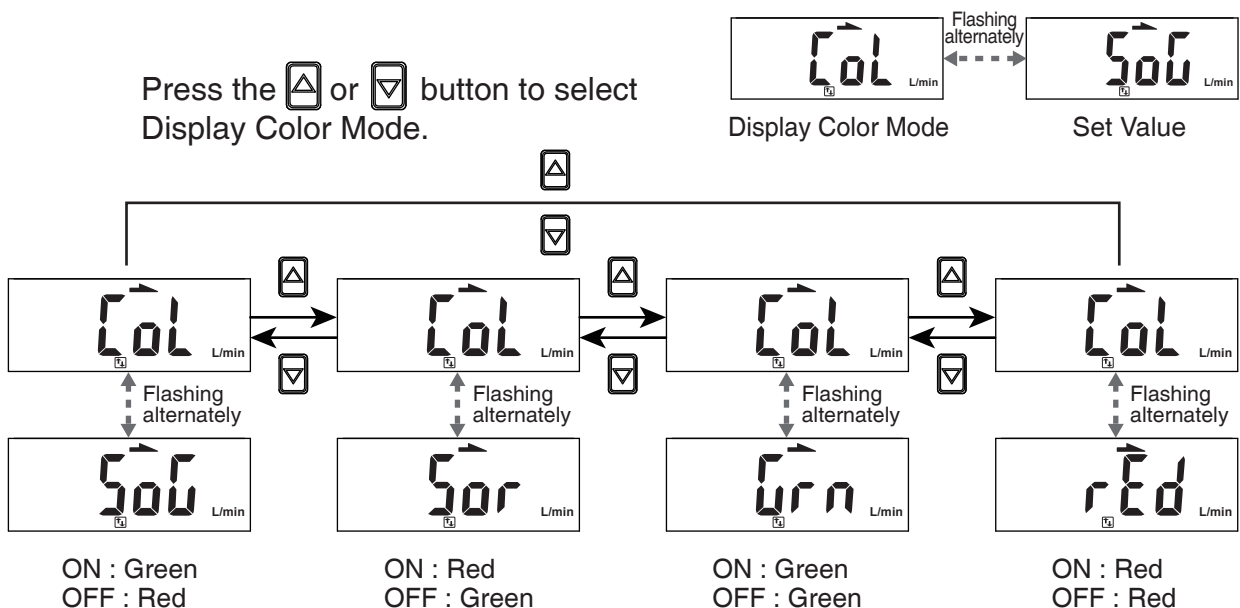
Press the or button to select color display for OUT1 or OUT2.





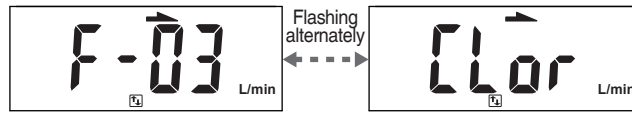
Press button

Display Color Mode Selection

Press the or button to select Display Color Mode.



Press  button to return to Function Selection Mode 

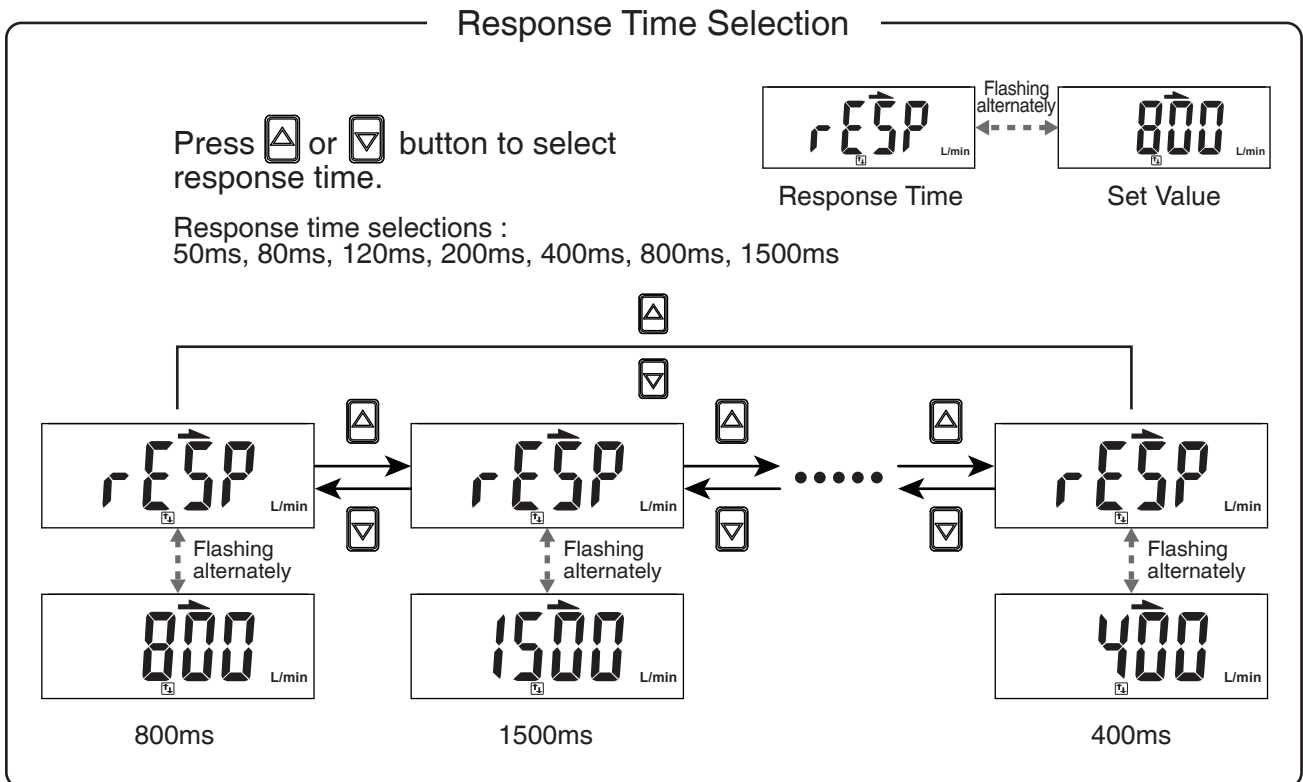




2.3.4 [F-04] Response Time Setting

Select proper response time to avoid switch output chattering.

Press  or  button at Function Selection Mode to display [F-04] [rESP].

Press  button 



Press  button to return to Function Selection Mode 

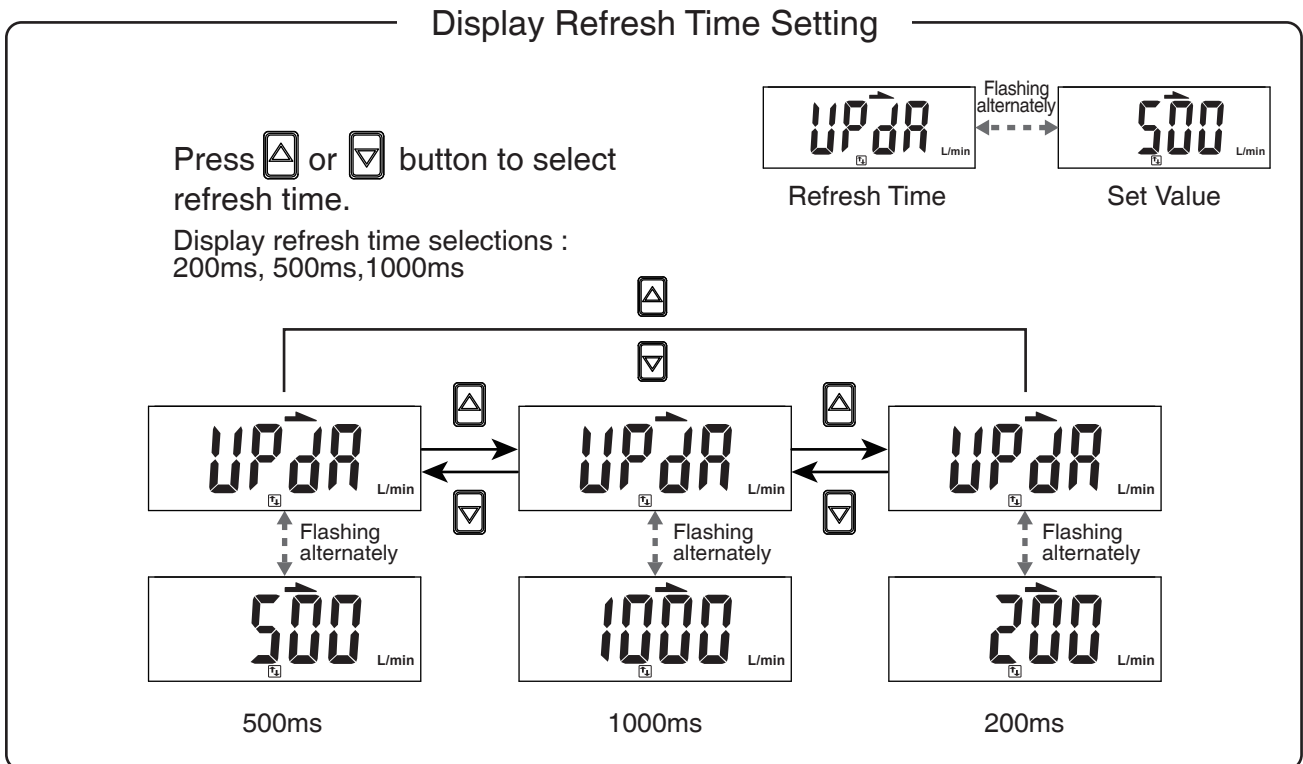


2.3.5 [F-05] Display Refresh Time Setting

Select the proper display refresh time to reduce frequently changing value.

Press or button at Function Selection Mode to display [F-05] [UPdR].

Press button



Press button to return to Function Selection Mode

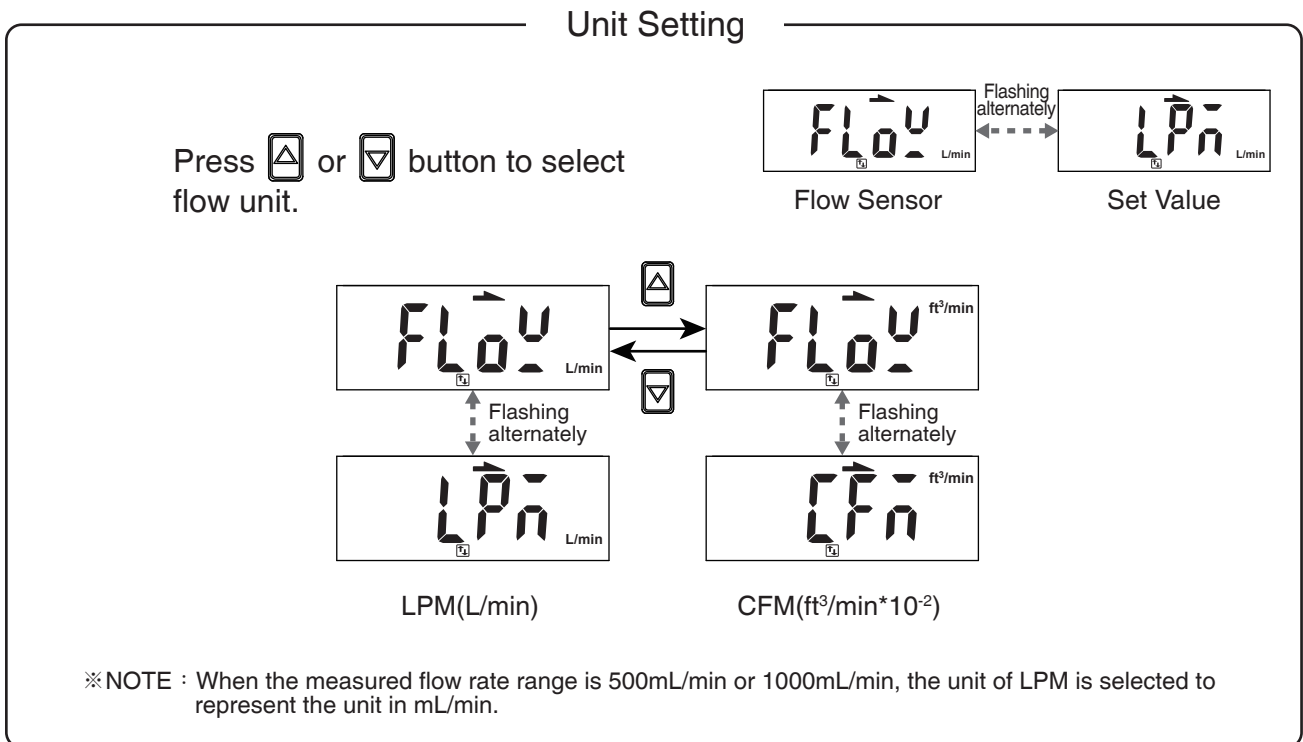


2.3.6 [F-06] Unit Setting

Select the flow unit of the sensor.

Press or button at Function Selection Mode to display [F-06] [Unit].

Press button



Press button to return to Function Selection Mode



2.3.7 [F-07] Flow Reference Standard Setting

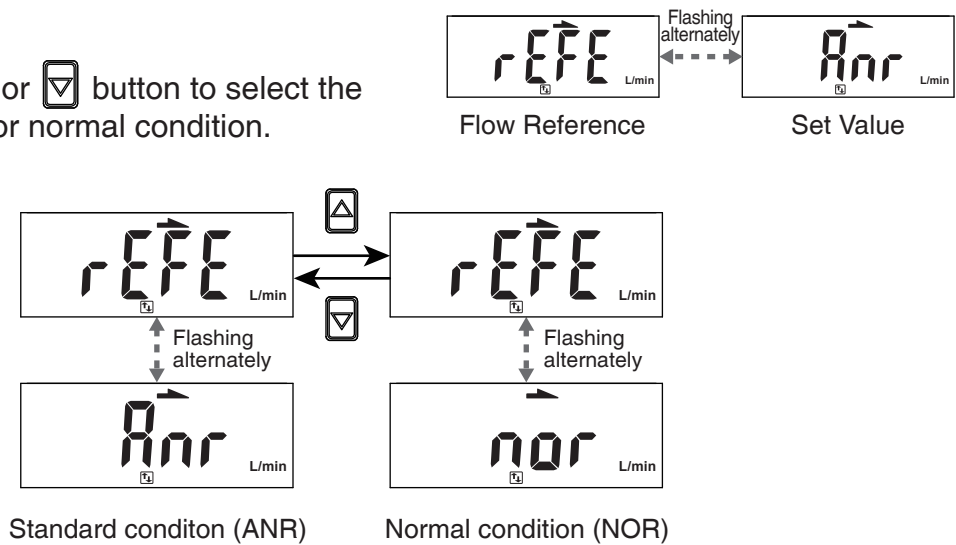
Select the flow value is shown under standard or normal condition.

Press or button at Function Selection Mode to display [F-07] [rEFE] °

Press button

Flow Reference Standard Setting

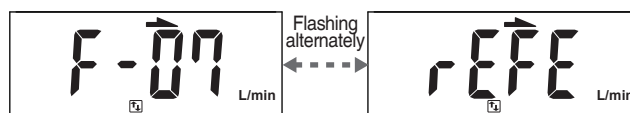
Press or button to select the standard or normal condition.



※NOTE :

1. Standard condition (ANR): the display value is calculated under 20°C, 1atm.
2. Normal condition (NOR): the display value is calculated under 0°C, 1atm.
3. Flow rate in the specification is the value at standard condition (ANR).

Press button to return to Function Selection Mode

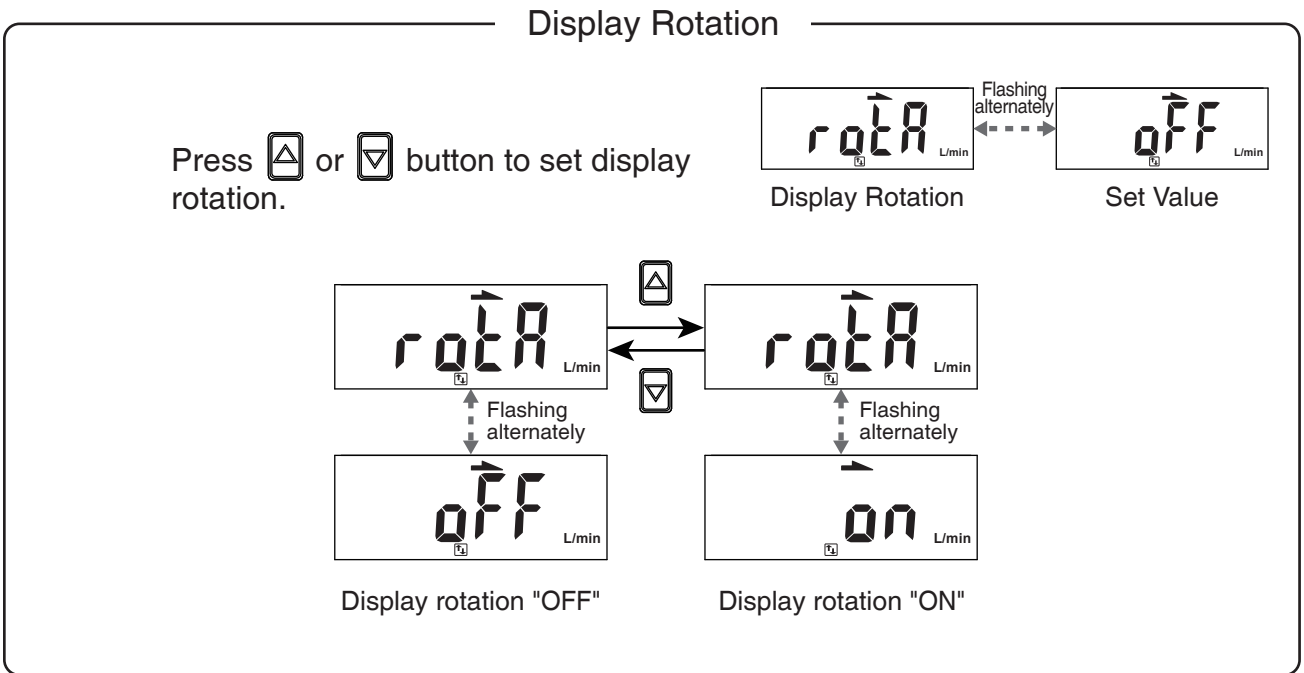


2.3.8 [F-08] Display rotation

Rotate the display vertically.

Press or button at Function Selection Mode to display [F-08] [rotA] °.

Press button



Press button to return to Function Selection Mode

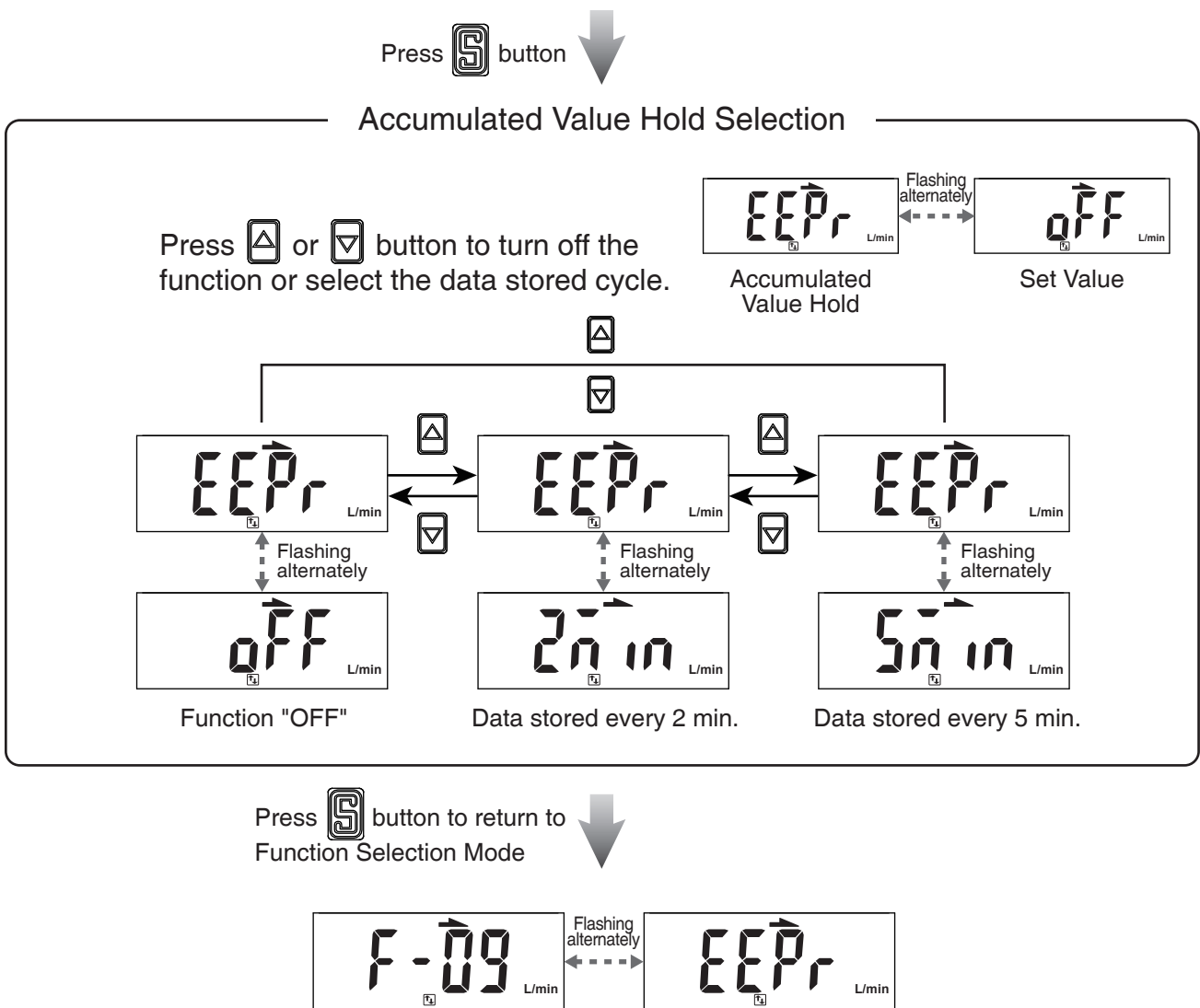


2.3.9 [F-09] Accumulated Value Hold Setting

The default setting is "OFF", the accumulated flow value is zeroed when the power supply is turned off.

Select this function to keep accumulated flow value to be stored in permanent memory and reload the recent saved accumulated value after power supply turns on.

Press or button at Function Selection Mode to display [F-09] [EEP_r].



※ NOTE :

The maximum writable limit of the memory device is 1 million cycles. If the sensor is operated 24 hours per day, the durability is calculated as below:

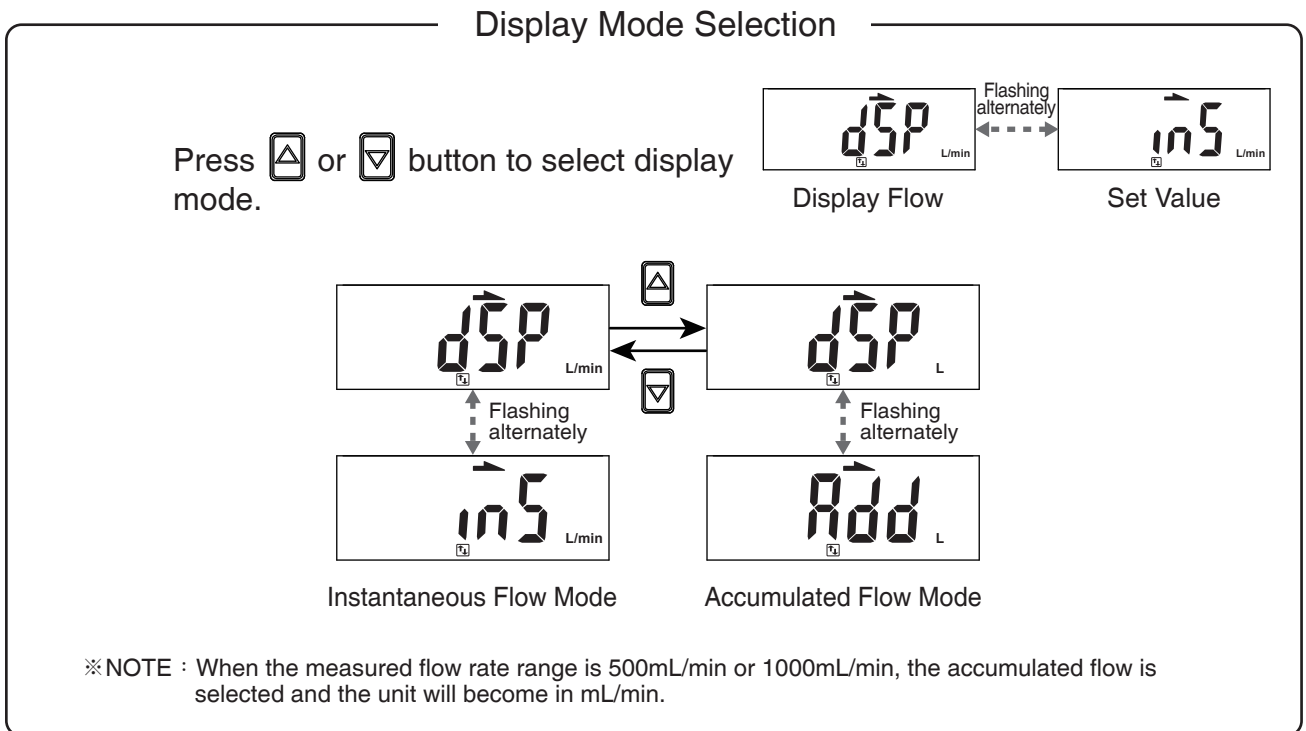
- ◆ 5 minutes x 1 million cycles = 5 million minutes = 9.5 years
- ◆ 2 minutes x 1 million cycles = 2 million minutes = 3.8 years

2.3.10 [F- 10] Flow Sensor Display Mode Setting

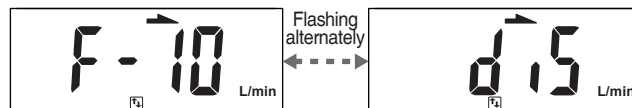
Select to display Instantaneous Flow or Accumulated Flow Mode.

Press or button at Function Selection Mode to display [F- 10] [d 15] °

Press button



Press button to return to Function Selection Mode

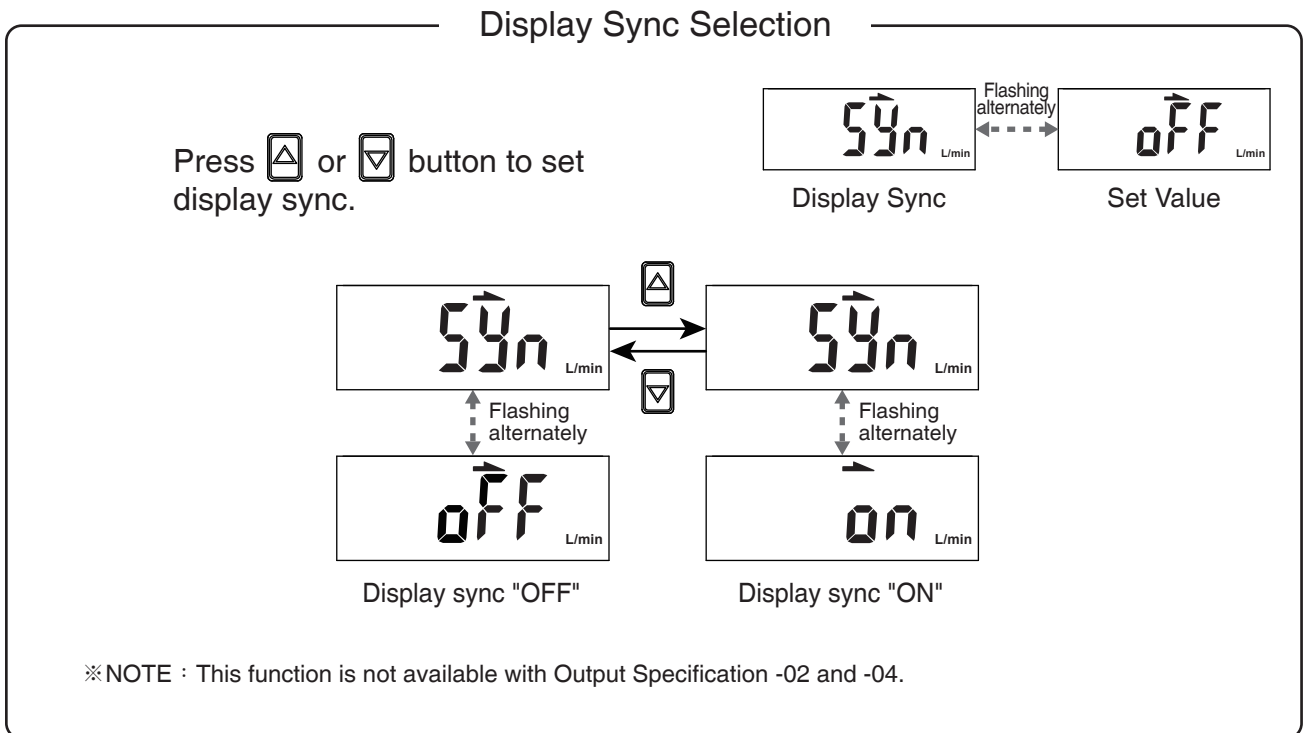


2.3.11 [F-80] Sync the value of flow analog output and display

Turn ON to synchronize the value of flow analog output and display.

Press or button at Function Selection Mode to display [F-80] [59n] °

Press button



Press button to return to Function Selection Mode



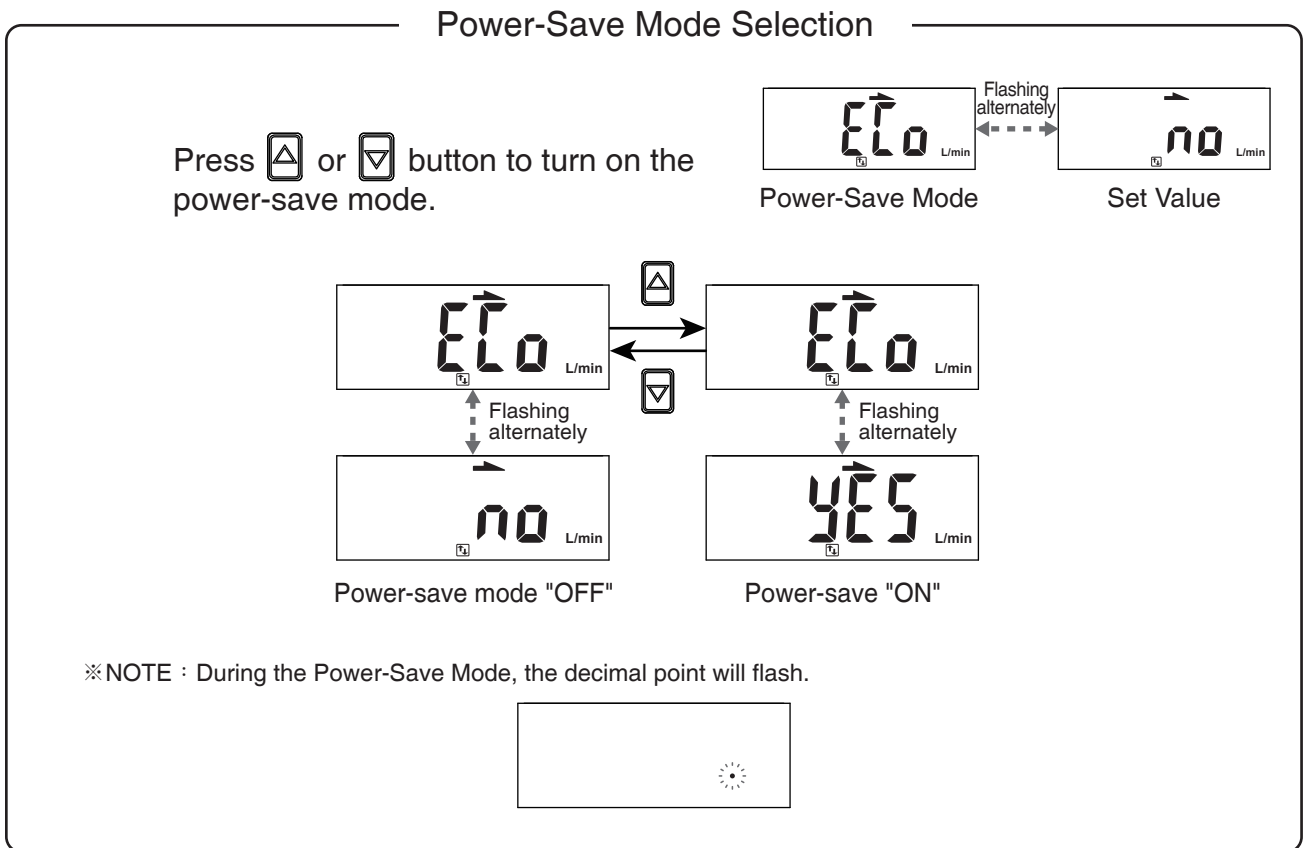
2.3.12 [F-9 1] Power-Save Mode Setting

Select Power-Save Mode at Measurement Mode.

During the Power-Save Mode, the main display will turned off if no buttons is pressed in 30 sec., press any keys to leave the Power-Save Mode.

Press or button at Function Selection Mode to display [F-9 1] [ELO] °

Press button



Press button to return to Function Selection Mode



2.3.13 [F-92] External Input Setting

Accumulated flow external reset : The accumulated flow value will reset to "0" when an external input signal is applied.

Auto-shift : The instantaneous flow rate will regard as the standard when the external input signal is applied. The switch output function operates relative to its change.

Auto-shift zero : The instantaneous flow rate is reset to zero to regard as standard when the external input signal is applied. The switch output function operates relative to its change.

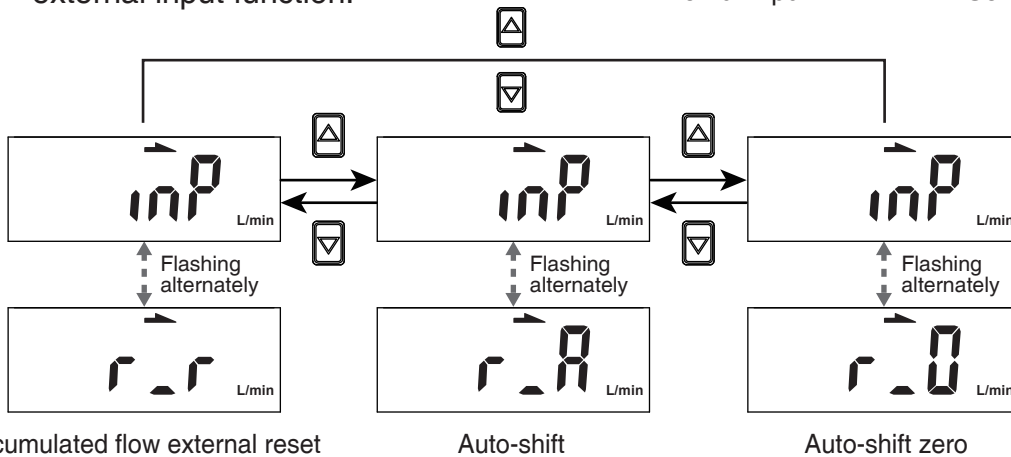
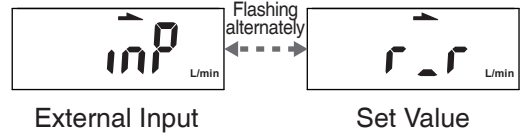
This function is only for output 1 corresponding to flow sensor action point. When external signal is input, please connect the input wire to GND for 30 ms or more.

Press or button at Function Selection Mode to display [F-92] [inP] °.

Press button

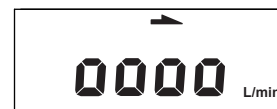
External Input Selection

Press or button to select external input function.

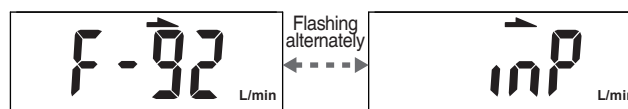


※NOTE :

1. This function is not available with Output Specification -02 and -04.
2. When external signal is input, the instantaneous flow rate value will be shown "0000".



Press button to return to Function Selection Mode

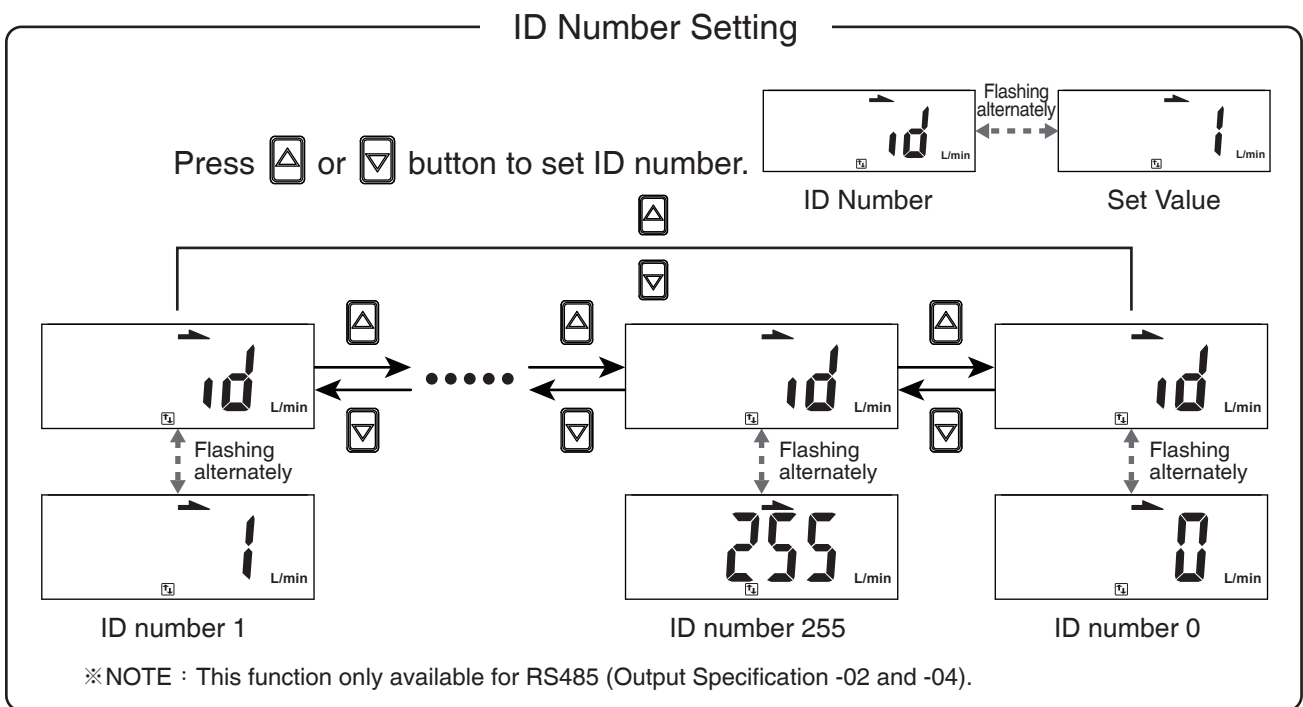


2.3.14 [F-93] Modbus RTU Setting

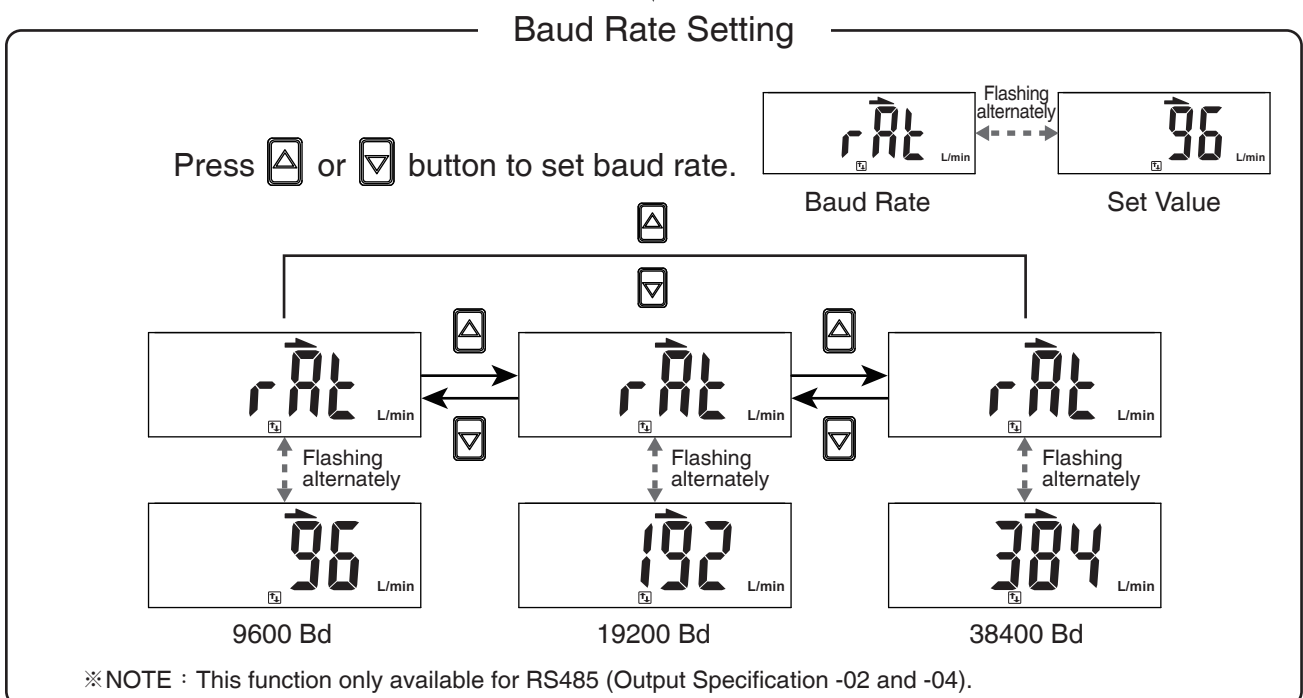
MODBUS transmission protocol can be set according to user requirements.

Press or button at Function Selection Mode to display [F-93] [rBUS] °

Press button



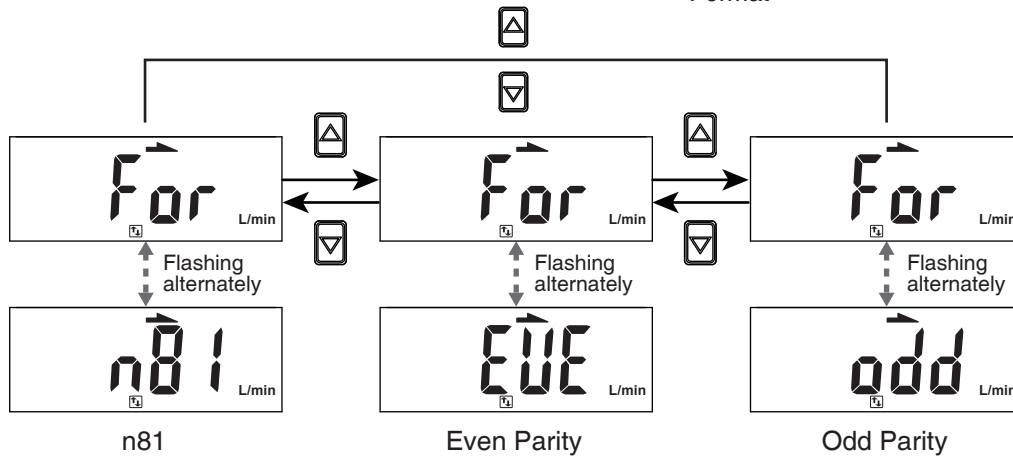
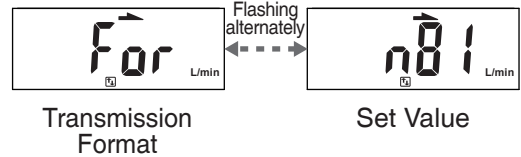
Press button



Press  button  (to be continued)

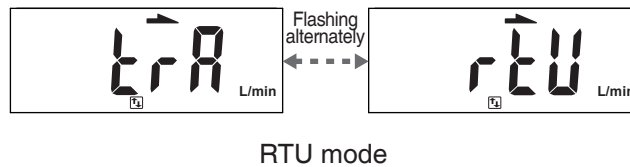
Transmission Format Setting



Press  or  button to set transmission format.



※NOTE : This function only available for RS485 (Output Specification -02 and -04).

Press  button 



Press  button to return to Function Selection Mode 



2.3.15 [F-94] Fine Adjustment Setting

This function is to fine adjust flow and pressure display values. Display values can be calibrated to within $\pm 2.5\%$ R.D.

Press or button at Function Selection Mode to display [F-94] [F inE] °

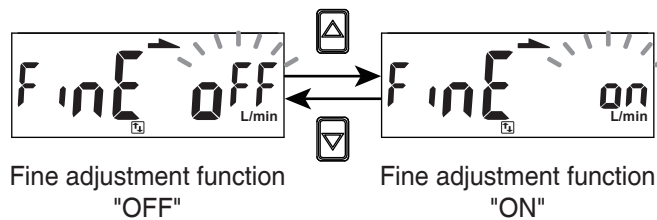
Press button

Fine Adjustment Setting

Press or button to select fine adjustment OFF or to set fine adjustment instantaneous flow rate value or pressure value.



Fine Adjustment Set Value

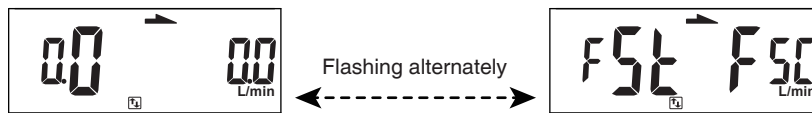


Fine adjustment function "OFF"

Fine adjustment function "ON"

Fine Adjustment of Instantaneous Flow Rate Value

Press or button to set fine adjustment value.



Set Value Instantaneous flow value

Fine adjustment setting Instantaneous flow

Press button

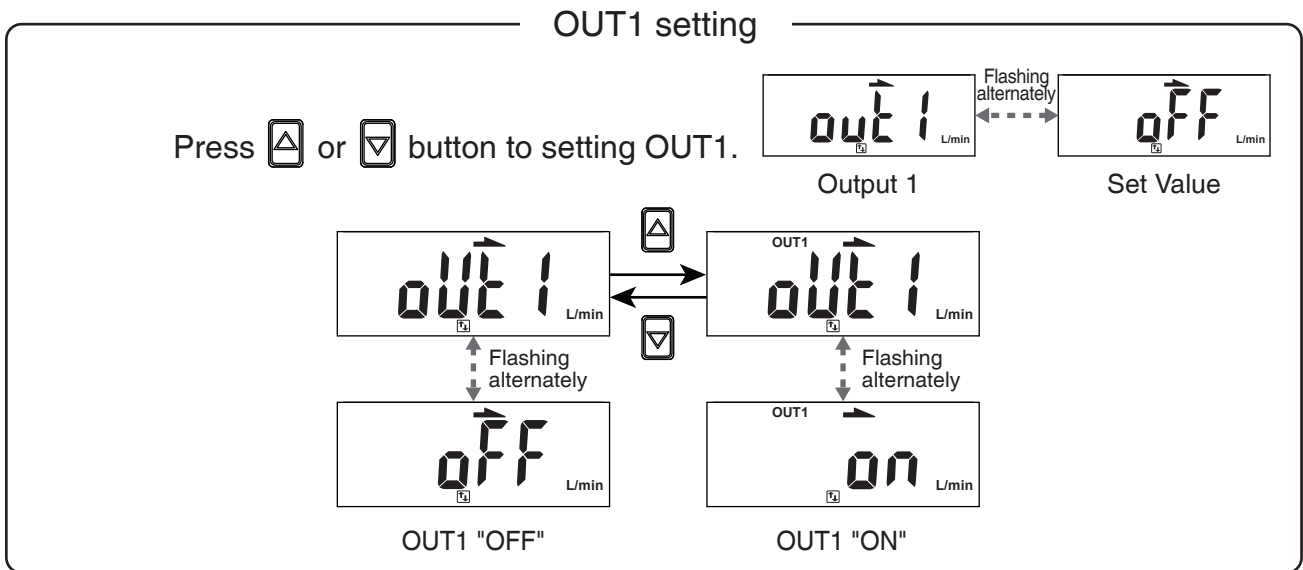
Return to the measurement mode

2.3.16 [F-95] Forced Output Function

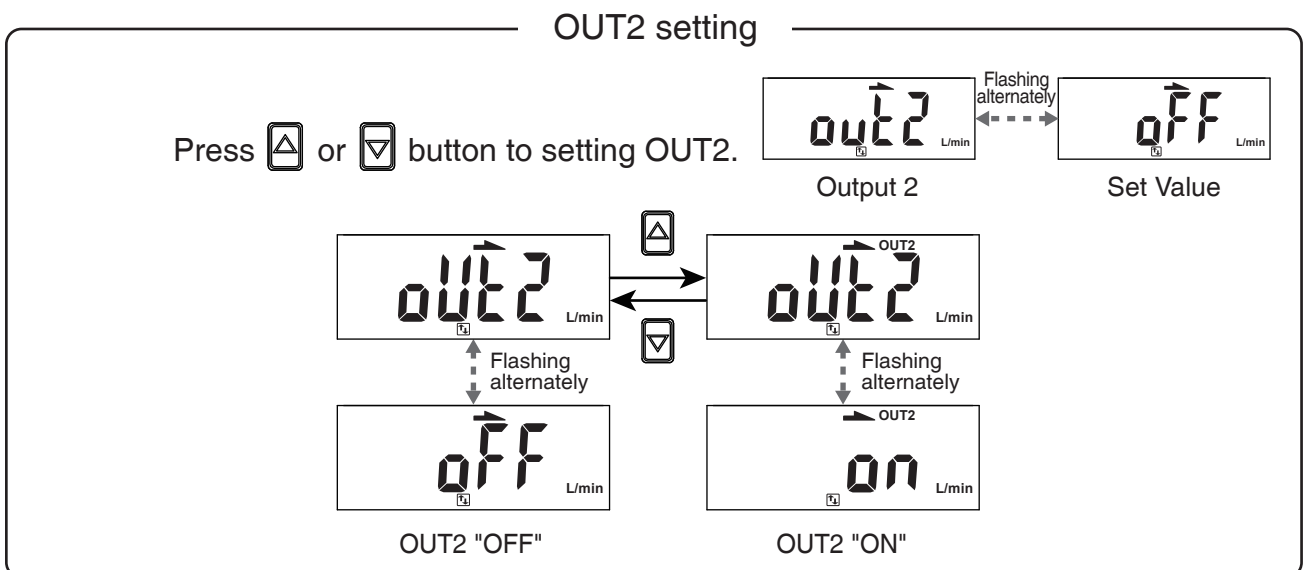
To force output ON/OFF to test the switch function.

Press or button at Function Selection Mode to display [F-95] [F_oU_t] ◦

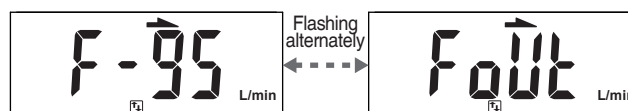
Press button



Press button



Press button to return to Function Selection Mode

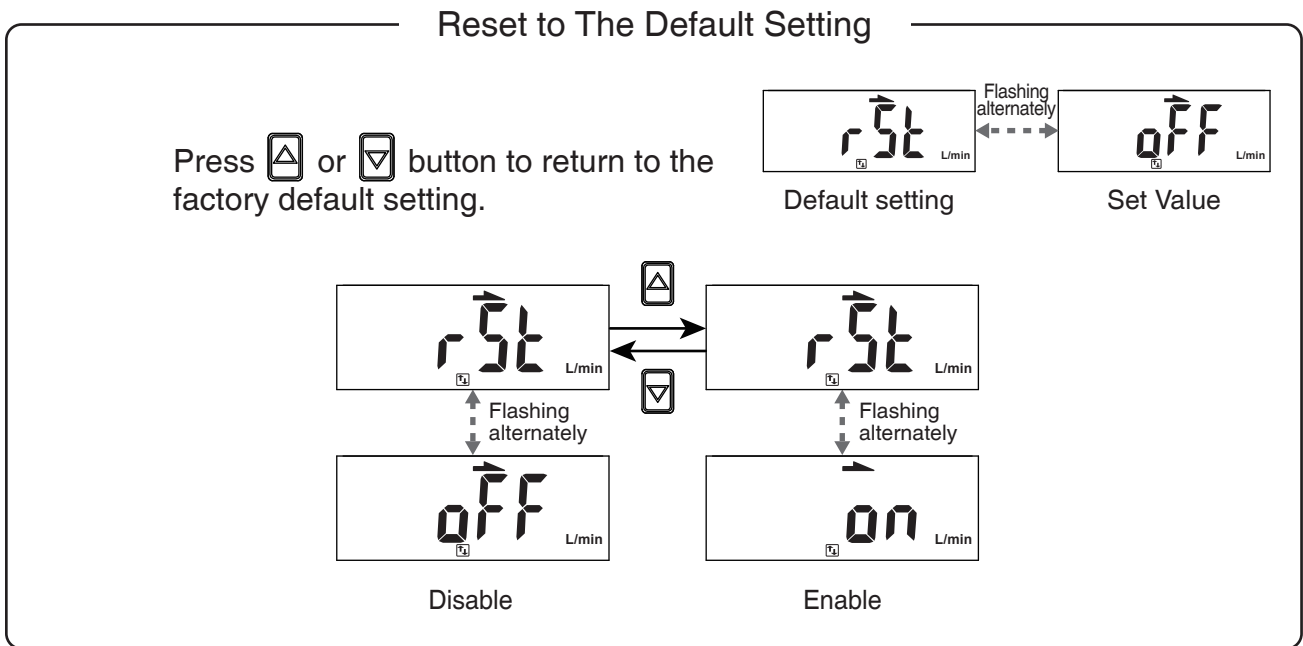


2.3.17 [F-99] Reset to the Default Setting

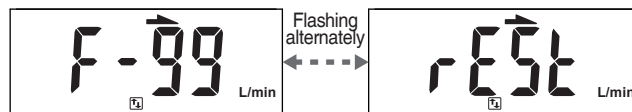
The factory default settings can be restored.

Press or button at Function Selection Mode to display [F-99] [rESt] ◦

Press button






Press button to return to Function Selection Mode



2.3.18 Instantaneous Flow Zero Adjustment Function

The displayed value can be adjusted to "0" when the measured flow is within $\pm 5\%$ F.S. of the zero point at the time of shipment from the factory.

< Operation >

Press  and  button simultaneously over 3 sec. at the measurement mode (not Accumulated flow value display mode) until display . And release holding the button to return measurement mode.

Measurement mode



Press  and  button simultaneously over 3 sec.



To release holding the button to return measurement mode.





Instantaneous flow value return zero.

2.3.19 Reset Accumulated Flow Function

Accumulate flow value return to zero.

< Operation >

Press  and  button simultaneously over 3 sec. at the measurement mode (Accumulated flow value mode) until display zero.

And release holding the button to return measurement mode.

Measurement mode



Press  and  button simultaneously over 3 sec.





Accumulated value display zero.
To release holding the button to
return measurement mode.

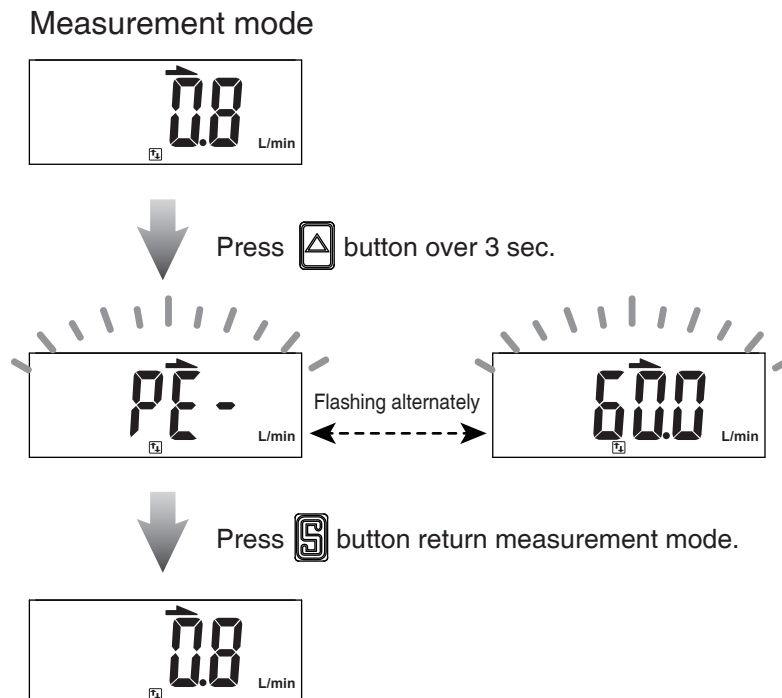
2.3.20 Peak Value Display

The maximum pressure and instantaneous flow, from when the power was supplied to this moment, is detected and updated.

< Operation >

Press  button over 3 sec. at the measurement mode. The maximum value will be displayed flashing, and is held.


Press  button return to the measurement mode.




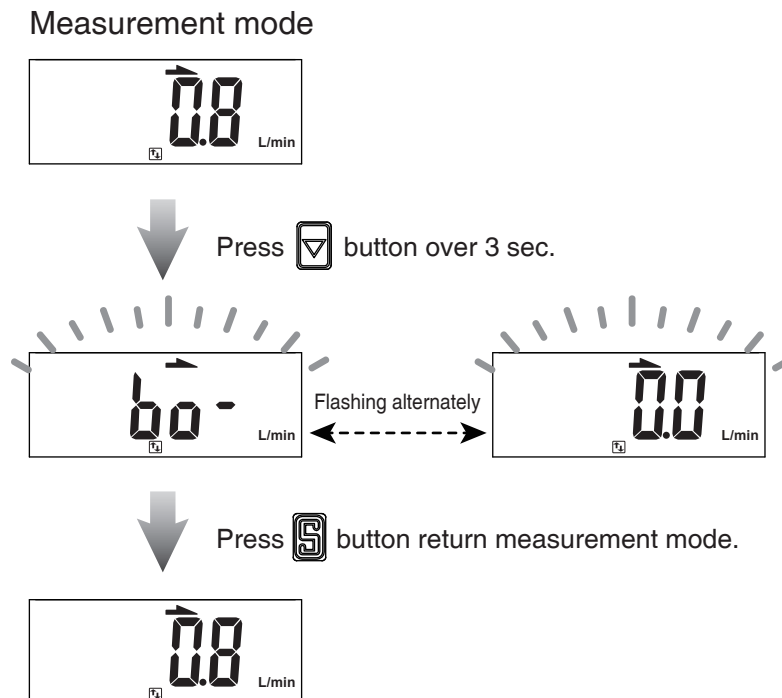
2.3.21 Bottom Value Display

The minimum pressure and instantaneous flow, from when the power was supplied to this moment, is detected and updated.

< Operation >

Press  button over 3 sec. at the measurement mode. The minimum value will be displayed flashing, and is held.


Press  button return to the measurement mode.

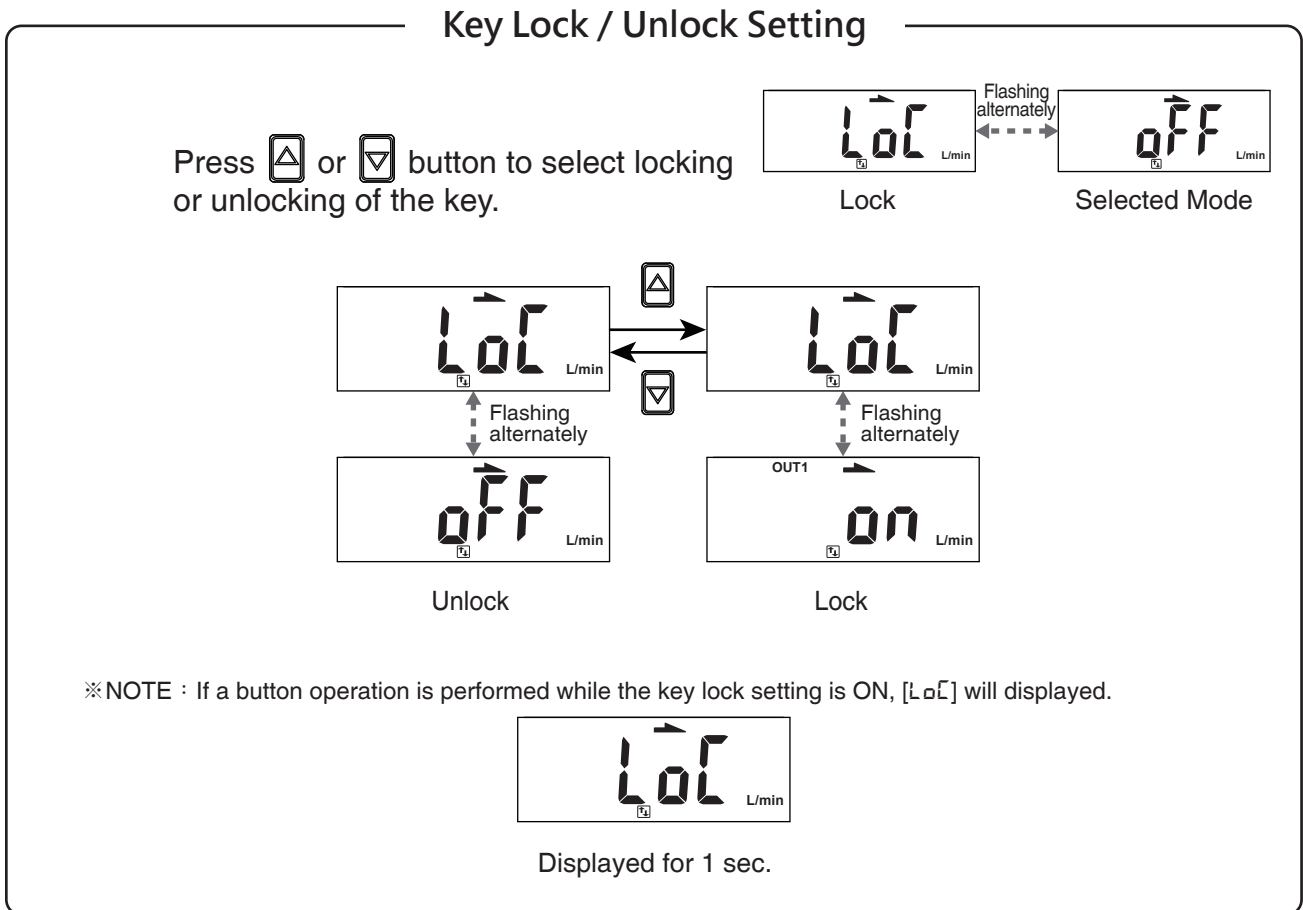


2.3.22 Key Lock Mode

Prevent accidental changes to settings parameters. When lock function is ON and user mistakenly presses button, screen will display [LoC] [On] for 1 sec.

< Operation >

Press  button over 5 sec. at measurement mode to select key lock/unlock setting.



3 Modbus RTU Instruction

Function Code	Explanation	Operation
0000H	ID Number (0 ~ 255) Range : 0 ~ 255	Read Write
0001H	Baud rate setting 0 : 9600 bps 1 : 19200 bps 2 : 38400 bps	Read Write
0002H	Transmission format setting 0 : N.8.1 1 : E.8.1 2 : O.8.1	Read Write
0003H	Communications protocol setting 0 : RTU	Read Write
0004H	Measured flow rate range 0 : 500mL/min 1 : 1000mL/min 2 : 5L/min 3 : 10L/min 4 : 50L/min 5 : 100L/min 6 : 200L/min	Read
0005H	Instantaneous flow value	Read
0006H	Flow unit 0 : LPM (L/min or mL/min) 1 : CFM(ft ³ /min)	Read Write
0007H	Decimal place for flow value 0 : None 1 : One decimal place 0.1 2 : Two decimal places 0.01 3 : Three decimal places 0.001	Read
0008H	Accumulated flow value (ADL) XXXX 9999	Read
0009H	Accumulated flow value (ADH) 9999 XXXX	Read
000AH	Flow reference standard 0 : ANR (Standard condition) 1 : NOR (Normal condition)	Read Write

Function Code	Explanation	Operation
000BH	Flow sensor display mode 0 : Instantaneous flow 1 : Accumulated flow	Read Write
000CH	Accumulated value hold 0 : None 1 : 2min /times 2 : 5min/times	Read Write
000DH	Flow display refresh time 0 : 200ms 1 : 500ms 2 : 1000ms	Read Write
000EH	Fine adjustment of display value -25 ~ 25 (-2.5% ~ +2.5%)	Read Write
000FH	Response time of flow sensor 0 : 50ms 1 : 80ms 2 : 120ms 3 : 200ms 4 : 400ms 5 : 800ms 6 : 1500ms	Read Write
0010H	OUT1 output mode 0 : HYS (Hysteresis) 1 : WIN (Window Comparator) 2 : ADD (Accumulated Output) 3 : PLS (Accumulated Pulse Output)	Read Write
0011H	OUT1 output type 0 : N.O. mode 1 : N.C. mode	Read Write
0012H	Flow setting value FL-1	Read Write
0013H	Flow setting value FH-1	Read Write
0014H	Flow setting value ADL1	Read Write
0015H	Flow setting value ADH1	Read Write

Function Code	Explanation	Operation
0016H	OUT1 fixed hysteresis setting for flow value HYS 0 ~ 8	Read Write
0017H	OUT1 switch 0 : OFF 1 : ON	Read
0018H	OUT2 output mode 0 : HYS (Hysteresis) 1 : WIN (Window Comparator) 2 : ADD (Accumulated Output)	Read Write
0019H	OUT2 output type 0 : N.O. mode 1 : N.C. mode	Read Write
001AH	Flow setting value FL-2	Read Write
001BH	Flow setting value FH-2	Read Write
001CH	Flow setting value ADL2	Read Write
001DH	Flow setting value ADH2	Read Write
001EH	OUT2 fixed hysteresis setting for flow value HYS 0 ~ 8	Read Write
001FH	OUT2 switch 0 : OFF 1 : ON	Read
0020H	Color display for OUT1 or OUT2 selection 0 : OUT1 1 : OUT2	Read Write
0021H	Display color setting 0 : SOG (Switch on Green) 1 : SOR (Switch on Red) 2 : GRN (Always is Green) 3 : RED (Always is Red)	Read Write
0022H	Power-save mode 0 : NO 1 : YES	Read Write

Function Code	Explanation	Operation
0023H	Reset to the default setting 0 : RECALL	Write
0024H	Instantaneous flow zero adjustment 0 : When over $\pm 5\%$ F.S., error code 03H will show.	Write
0025H	Reset accumulated flow 0 : Accumulated flow value return to zero	Write
0026H	Key lock/unlock setting 0 : OFF 1 : ON	Read Write
0027H	Switch output 0 : NPN 1 : PNP	Read
0028H	Display rotation setting 0 : OFF 1 : ON	Read Write










● Read / Write Code

Read/Write Code	Explanation
03H	Read pressure sensor data Range 1 ~ 4 data Number, 2 ~ 8 Bytes
06H	Write pressure sensor data

● Error Code Description

Error Code	Explanation
01H	Read / Write error
02H	Function Code error
03H	Illegal data or over setting value

4 Error Code Instruction

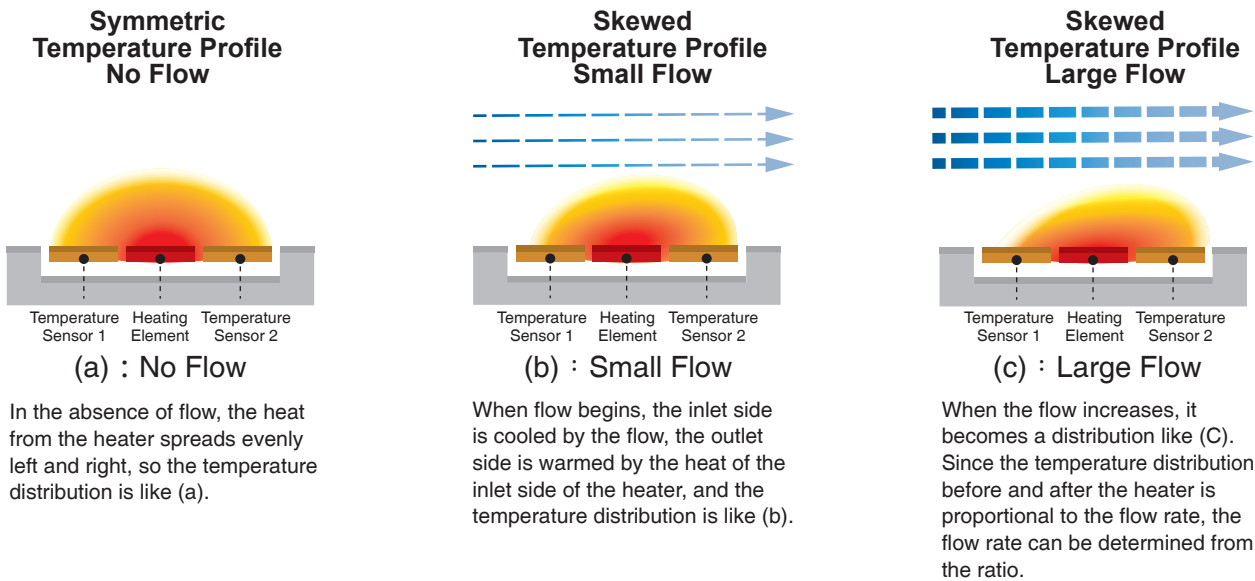
Error Type	Error Code	Error Condition	Troubleshooting
OUT1 Excess Load Current Error		Output 1 load current is more than 125 mA	Turn power off and check the cause of overload current or lower the current load under 125 mA, then restart.
OUT2 Excess Load Current Error		Output 2 load current is more than 125 mA	
Zero Adjustment Error		The instantaneous flow is over $\pm 5\%$ F.S. of the zero point.	Perform the zero clear function again under no flow conditions.
System Error		Memory error	Turn power off, and then restart. If error condition remains, please return to factory for inspection.
		Internal data error	
		Internal data error	
		System parameter error	
Applied Error		The instantaneous flow has exceeded the upper limit of the flow display range.	Reduce the flow to the display range.
		The instantaneous flow has exceeded the lower limit of the flow display range.	Ensure the flow is in the correct direction.

5 Specifications

Model		005	010	050	100	500	101	201	
Fluid		Dry air, N ₂ , Non-corrosive / Non-flammable gas							
Measured flow rate range		0 ~ 500 mL/min	0 ~ 1000 mL/min	0 ~ 5 L/min	0 ~ 10 L/min	0 ~ 50 L/min	0 ~ 100 L/min	0 ~ 200 L/min	
Flow Direction		Unidirection							
		4 digital * 4 digital, 7 segment LCD display (Red / Green / Orange)							
Display	Instant Flow Rate	Display Range	0 ~ 525 mL/min	0 ~ 1050 mL/min	0 ~ 5.25 L/min	0 ~ 10.50 L/min	0 ~ 52.5 L/min	0 ~ 105.0 L/min	0 ~ 210 L/min
		Minimum Setting Scale	LPM	1 mL/min	1 mL/min	0.01 L/min	0.01 L/min	0.1 L/min	0.1 L/min
		CFM *1	0.01 ft ³ /min	0.01 ft ³ /min	0.1 ft ³ /min	0.1 ft ³ /min	1 ft ³ /min	1 ft ³ /min	1 ft ³ /min
	Accumulated Flow	Display Range	99999999 mL	99999999 mL	999999.99 L	999999.99 L	9999999.9 L	9999999.9 L	99999999 L
Minimum Setting Scale *1		1 mL	1 mL	0.01 L	0.01 L	0.1 L	0.1 L	1 L	
		0.01 ft ³	0.01 ft ³	0.1 ft ³	0.1 ft ³	1 ft ³	1 ft ³	1 ft ³	
Accuracy	Guaranteed Range		2 ~ 100 % F.S.						
	Indicator Accuracy		± 3% F.S. ± 1 digit *2						
	Analog Output Accuracy		± 5% F.S. *2						
	Repeatability		± 1% F.S. ± 1 digit *3						
	Linearity		± 3% F.S. *3						
	Temp. Characteristic		± 2% F.S. (15 ~ 35°C) ; ± 5% F.S. (0 ~ 15°C · 35 ~ 50°C) (compare with *3)						
	Pressure Characteristic		± 5% F.S. ± 1 digit *4						
Switch Output			2NPN : open collector 2 outputs Max. Load Current : 125 mA Max. Supply Voltage : 28 V DC Voltage Drop : ≤ 1.5 V			2PNP : open collector 2 outputs Max. Load Current : 125 mA Max. Supply Voltage : 24 V DC Voltage Drop : ≤ 1.5 V			
	Response Time		800 ms (50, 80, 120, 200, 400, 1500 ms selectable)						
	Output Mode		Hysteresis Mode, Window Comparator Mode, Accumulated Output, Accumulated Pulse Output						
	Hysteresis		Adjustable						
	Output Short Circuit Protection		Yes						
	Accumulated Pulse Output *1		5 mL/Pulse 0.02 ft ³ /Pulse	10 mL/Pulse 0.04 ft ³ /Pulse	0.05 L/Pulse 0.2 ft ³ /Pulse	0.1 L/Pulse 0.4 ft ³ /Pulse	0.5 L/Pulse 2 ft ³ /Pulse	1 L/Pulse 4 ft ³ /Pulse	2 L/Pulse 7 ft ³ /Pulse
Analog Output	Voltage Output		Voltage Output Range : 1 ~ 5 V Output Impedance : 1 kΩ						
	Current Output		Voltage Output Range : 4 ~ 20mA Load Impedance : ≤ 300 Ω						
	Response Time		≤ 100 ms						
External Input		Non-voltage input , < 0.4 V , ≥ 30 ms							
Communication interface		RS-485 *5							
Power Supply Voltage		12 ~ 24V DC ± 10 % · Ripple (P-P) ≤ 10 %							
Current Consumption		≤ 50 mA							
Environment	Working Pressure Range		-0.09 ~ 0.8 MPa						
	Withstand Pressure		1 MPa						
	Enclosure		IP40						
	Working Fluid Temp.		0 ~ 50°C (No condensation or freezing)						
	Ambient Temp. Range		Operation : 0 ~ 50°C ; Storage : -10 ~ 60°C (No condensation or freezing)						
	Ambient Humidity Range		Operation / Storage : 35 ~ 85 % R.H. (No condensation)						
	Insulation Resistance		≥ 50 MΩ (500V DC , between case and lead wire)						
	Withstand Voltage		1000V AC 1-min (between case and lead wire)						
	Vibration		Total amplitude 1.5 mm or 10 G, 10Hz - 55Hz - 10Hz scan for 1 minute, 2 hours each direction of X, Y and Z						
	Shock		100 m/s ² (10 G) , 3 times each in direction of X, Y and Z						
EMC		IEC 61000-6-2, IEC 61000-6-4							
Lead Wire		Ø4 PVC - 26 AWG (0.15 mm ²) - 6 cores							
Port Size	Ø6 One-Touch Fitting, Rc ¹ / ₈ "		●	●	●	●	●		
	Ø8 One-Touch Fitting, Rc ¹ / ₄ "							● ●	
Weight (with 2 Meter Lead Wire)		Approx. 109.3 g (Ø6 port) ; Approx. 112.7 g (Ø8 port) ; Approx. 128.5 g (Rc ¹ / ₈ " port) ; Approx. 118 g (Rc ¹ / ₄ " port)							

NOTE :
 *1 : CFM (ft³/min*10²) and ft³*10².
 *2 : CONDITION : Inlet Pressure : 300 kPa , Outlet Pressure : 1 atmospheric pressure, 25 °C.
 *3 : CONDITION : Outlet Pressure : 1 atmospheric pressure, 25 °C.
 *4 : -0.09 ~ 0.8 MPa, Outlet Pressure : 1 atmospheric pressure, 25 °C.
 *5 : This function only available for Output Specification -02 and -04.

6 Thermal Mass Flow Sensor Principles



7 ORDERING INFORMATION

K F 0 1 - 0 0 5 - 0 1 0 - R 6

Flow Rate Range

005 : 500 mL/min 500 : 50 L/min
 010 : 1000 mL/min 101 : 100 L/min
 050 : 5 L/min 201 : 200 L/min
 100 : 10 L/min

Output Specifications

010 : 2 NPN output + Analog output 1~5V
 011 : 2 NPN output + Analog output 4~20mA
 02 : 2 NPN output + RS485
 030 : 2 PNP output + Analog output 1~5V
 031 : 2 PNP output + Analog output 4~20mA
 04 : 2 PNP output + RS485

Port Size

R6 : Ø6 mm, for Flow Rate Range 005, 010, 050, 100, 500.
 R8 : Ø8 mm, for Flow Rate Range 101, 201.
 F1C : Rc¹/₈" , with internal threads, for Flow Rate Range 005, 010, 050, 100, 500.
 F4C : Rc¹/₄" , with internal threads, for Flow Rate Range 101, 201.

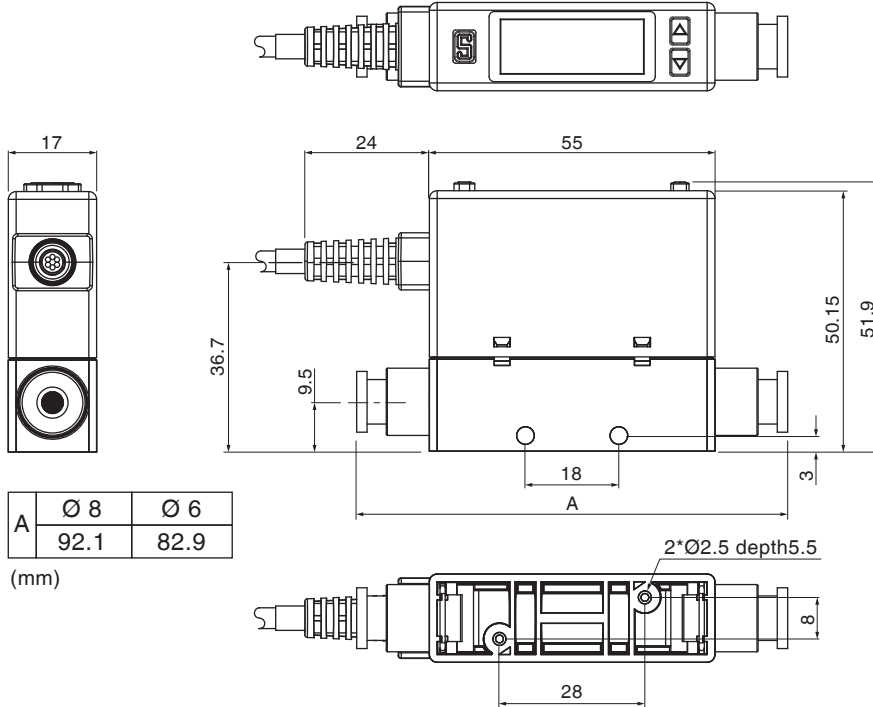
Optional Parts

BT-26 : Mounting bracket
 PA-G : Panel adapter
 PA-H : Panel adapter + Front protective lid

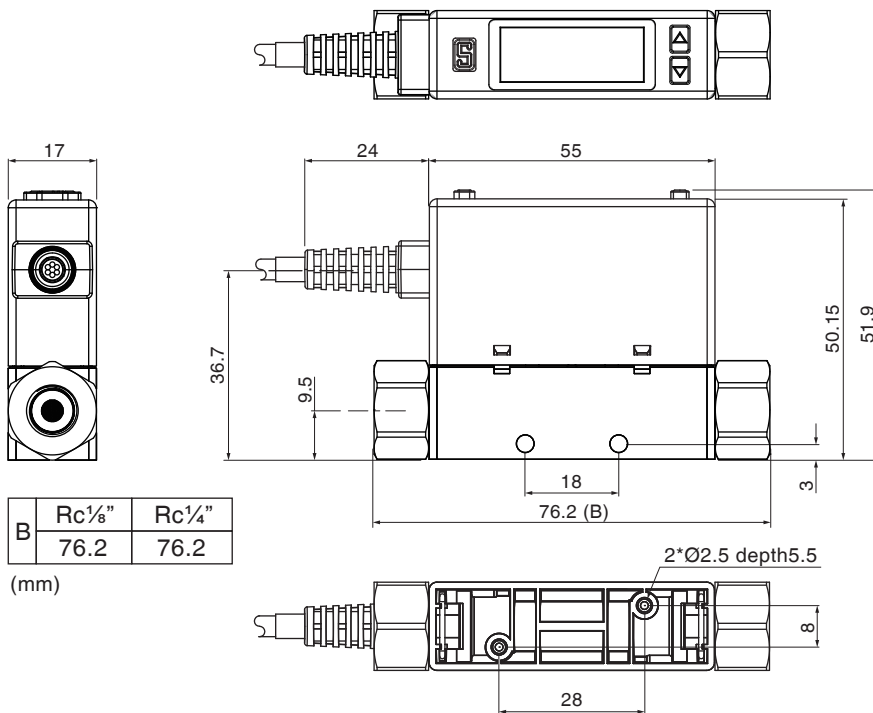
8 Dimensions

1. Product

- $\varnothing 6, \varnothing 8$

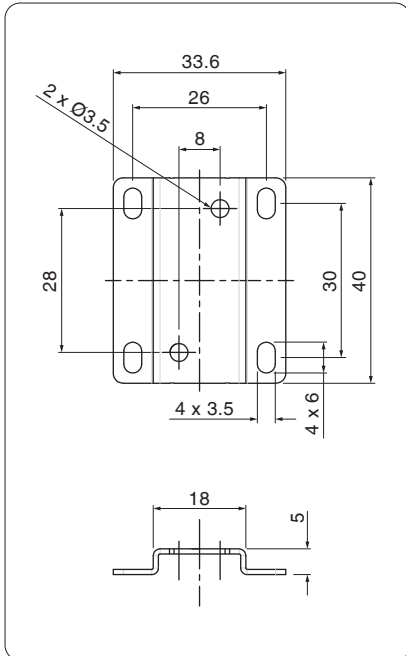


- Rc $\frac{1}{8}$ ", Rc $\frac{1}{4}$ "

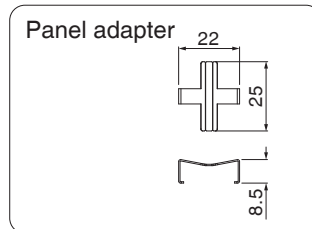
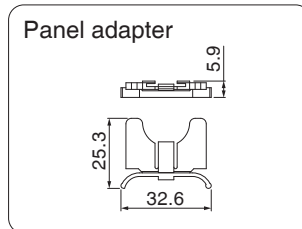
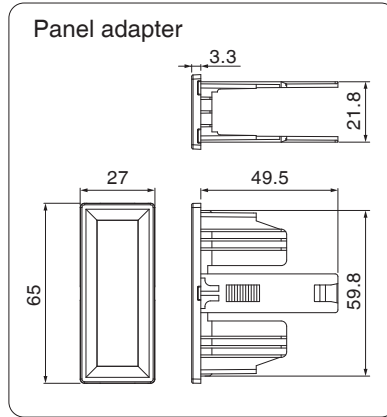
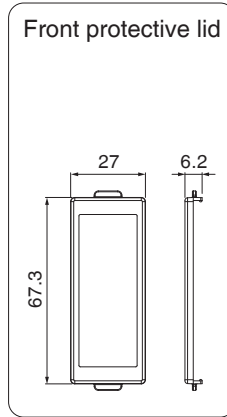


Unit : mm

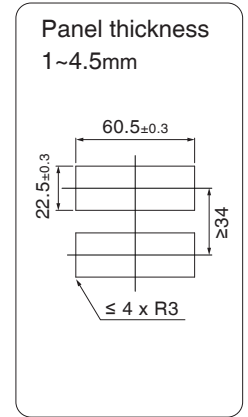
2. Mounting Bracket



3. Panel Mounting



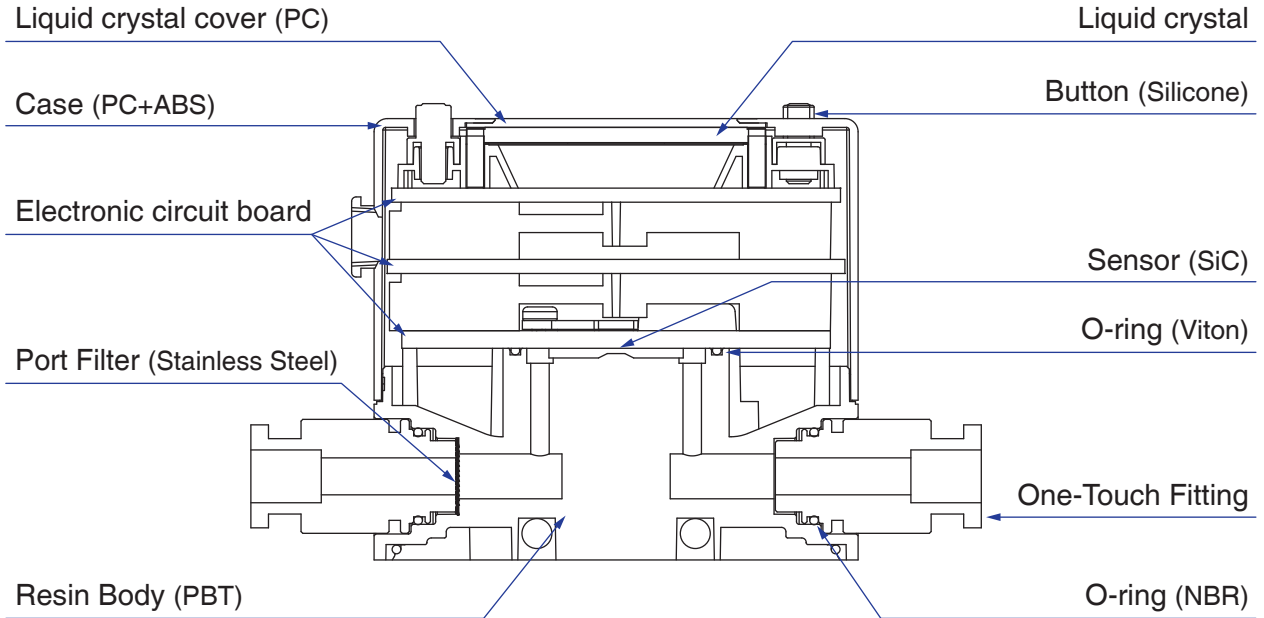
4. Panel Cut-Out



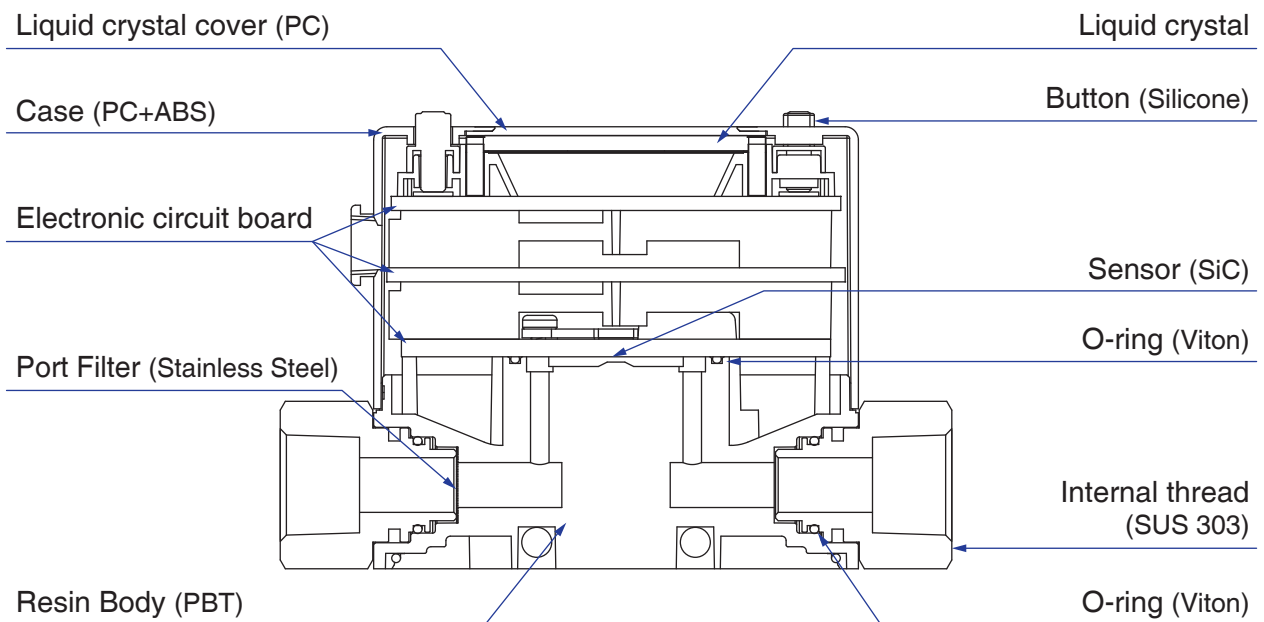
Unit : mm

9 Construction

- Ø6, Ø8

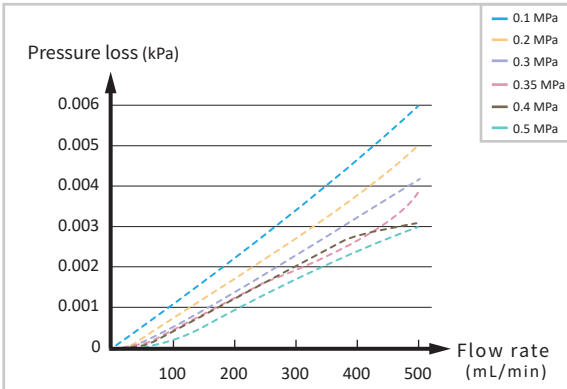


- Rc1/8", Rc1/4"

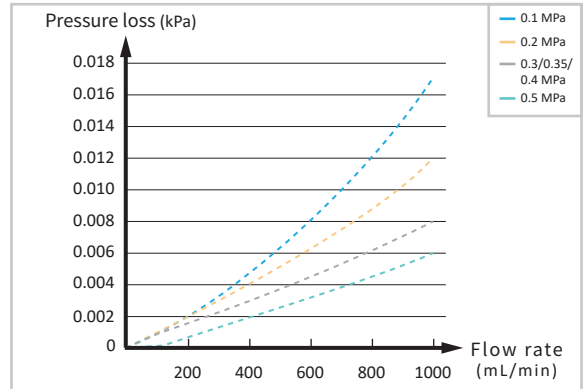


10 Pressure Loss Characteristics

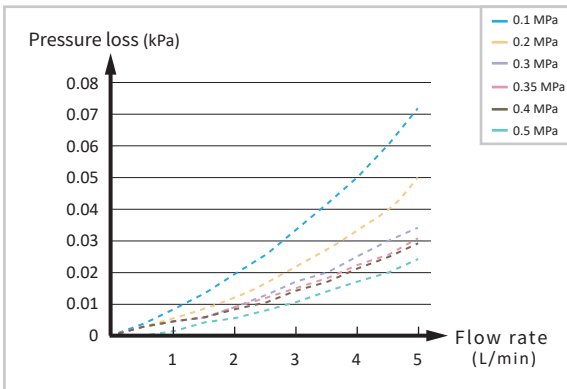
● KF01-005- □ - □



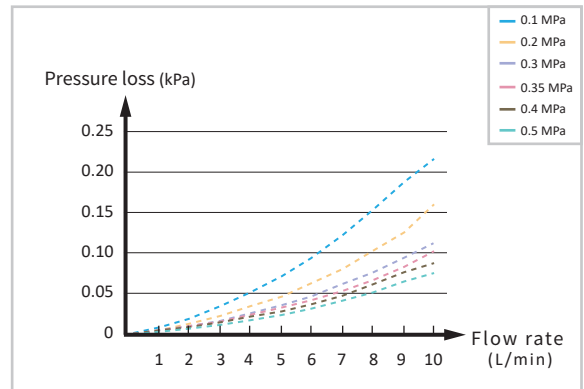
● KF01-010- □ - □



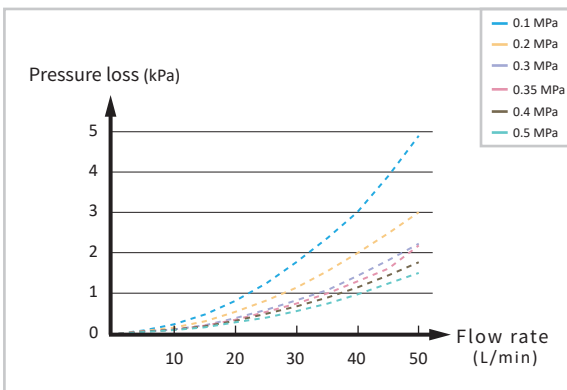
● KF01-050- □ - □



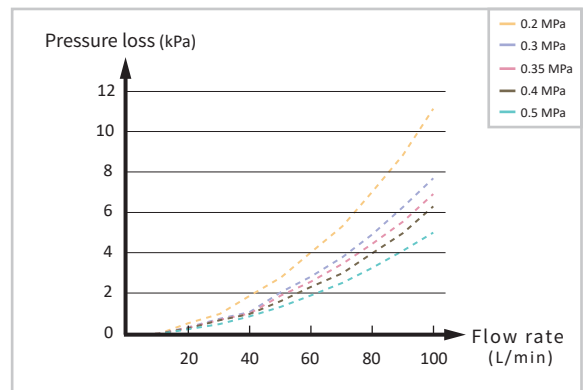
● KF01-100- □ - □



● KF01-500- □ - □



● KF01-101- □ - □



● KF01-201- □ - □

