

INSTRUCTION MANUAL

DIGITAL FLOW AND PRESSURE SENSOR




KFP01A Series





Product Safety Instructions

■ This section indicate the levels of risks with the labels of Danger, Warning and Caution.

<p> Danger Danger indicates high level of risk, will lead to fatal or serious injuries if not avoided.</p>
<p> Warning / Avertissement Warning indicates medium level of risk, it might cause death or serious injuries.</p>
<p> Caution / Attention Caution indicates low level of risk, it might result in minor injuries, such as scald, electric shock, etc. and the product, equipment and machines might be damaged.</p>

 **Warning / Avertissement**

■ **Precautions for use**

- ① **Operate within the specified voltage.**
 Malfunction or damaged product, electric shock or fire may be resulted by exceeding the specified voltage range.
- ② **Do not exceed the maximum load current.**
 It may damage the product.
- ③ **Do not use any load that generates surges.**
 Surge protection is present but applying surge voltage repeatedly will ultimately damage the product.
 When using with inductive load (such as relay or solenoid), please install a flyback diode across the load (polarity must be observed).
- ④ **Observed the internal voltage drop.**
 When used at a specified voltage, if the sensor is functional but the load does not work, please check if the operating voltage of the load meets the following formula.

$$\text{Power supply voltage} - \text{Internal voltage drop of sensor} > \text{Minimum operating voltage of load}$$
- ⑤ **Please follow the rated range of flow and pressure to avoid damage.**
- ⑥ **Do not use flammable fluids and/or permeable fluids.**
 They may cause fire, explosion or corrosion.

■ **Working fluid and working environment**

- ① **Do not use in an explosive gas atmosphere.**
 The sensor does not have explosion-proof structure, fire, explosion or corrosion can result.
- ② **Do not use near a surge voltage generated area.**
 If product is nearby the device of surge voltage (e.g., lightning strikes, solenoid lifters, high frequency induction furnaces, motors, etc.), please take measures against the surge sources to prevent damage.
- ③ **Do not use in an environment where sensors could be splashed by water or oil.**
 Enclosure rating is IP40, please avoid water or oil splashed environment to prevent adversely effects.
- ④ **Do not use in an environment subject to large temperature cycling.**
 Internal components of the sensor will be damaged by large heating/cooling cycles other than ordinary changes in temperature.
- ⑤ **Do not mount the product in locations where it is exposed to radiant heat.**

Warning / Avertissement

■ Wiring Precautions

- ① **Check wire color and terminal number when wiring.**
Incorrect wiring can cause permanent damages to the sensor, check wire color and terminal number according to the manual before wiring.
- ② **Avoid repeatedly bending or stretching the lead wire.**
It can cause damage to the sheath, or breakage of the wire.
- ③ **Ensure wiring insulation**
Please ensure the insulation of the wiring (including interference from other circuits and poor insulation between terminals) to prevent overcurrent from damaging the product.
- ④ **Please use a separate route for the product wiring and any power or high voltage wiring to avoid noise interruption.**
- ⑤ **Do not short-circuit the load.**
When the load is short-circuited, an error will be displayed. But excess current may cause damage to the sensor.
- ⑥ **Do not install the product when power is on. Contacting or plugging terminals when supplying power may cause electric shock, malfunction, or damage.**
- ⑦ **RS485 products must be connected the communication wire first.**
Wiring for RS485 MODBUS, please connect RS485 (B+) or (A-) before connecting power supply to avoid short circuit to damage to product.

■ Installation Precautions

- ① **Ensure the flow direction of the fluid.**
Please follow flow direction indicator for installation and piping.
- ② **Flush out all dirt and dust by air blow before connecting the piping to the sensor.**
- ③ **Do not drop or hit.**
When installation, do not drop, hit or apply excessive shock (100m/s²), permanent damage to the internal component of the sensor may occur.
- ④ **Do not install multiple products in close proximity.**
The heat generated from each product could cause the temperature to rise and change the characteristics of product or deterioration of the plastic parts. Please set the products 10mm apart from each other.
- ⑤ **Hold the sensor body when installing.**
The tensile strength of the cable is 24.5 N and apply excessive pulling force can cause damage to the sensor.

■ Other Precautions

- ① **After power is supplied, the output will remain off until the display is turned on. Please operate the sensor after the value is shown.**
- ② **Stop the control systems before perform setting changes.**
During the initial flow and pressure setting, the product will switch the output according to the existing settings until the changes are complete.

Caution / Attention

■ Installation Precautions

- ① **Please follow the specified tightening torque.**
Do not mount the sensor in a place that will be used as a foothold.
- ② **The product may damage if sit or step on it accidentally.**
When mounting without a bracket, please use P type self-tapping screw- M3 x L 6mm.
- ③ **Do not remove the fixed pin for the One-Touch Fitting.**
- ④ **To avoid losing the internal parts and cause malfunction.**
Please do not replace fittings by yourself.
- ⑤ **While installing the KFP01A-101/201 to the pipe, please apply air tube with I.D. 5 mm.**
- ⑥ **While installing the KFP01A-005/010/050/100/500 to the pipe, please apply air tube with I.D. 4 mm.**

■ Maintenance Precautions

- ① **The accuracy could change by 2 to 3% when the piping is removed or replaced.**
- ② **Do not touch the terminals or connectors when power is on.**

■ Disposal

- ① **Sensors at end-of-life must be disposed of in accordance with E-Waste regulations of the country/region, NOT disposed of with regular garbage.**

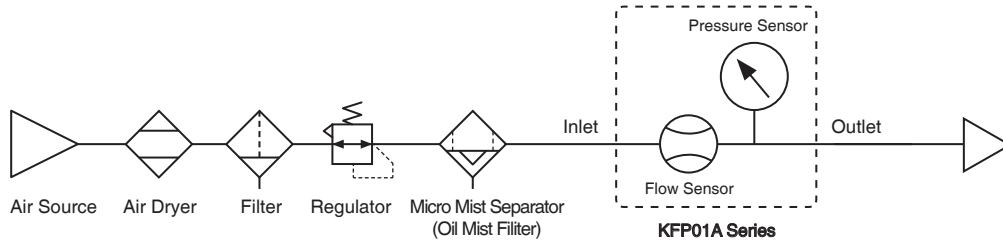
Warning / Avertissement

■ Fluid

- ① Check the regulator and flow adjustment valve before introducing the fluid.
- ② On the inlet side, be sure to install an air filter below the filtration level of 10um.

The sensing element cannot measure properly if foreign matter adheres to it.

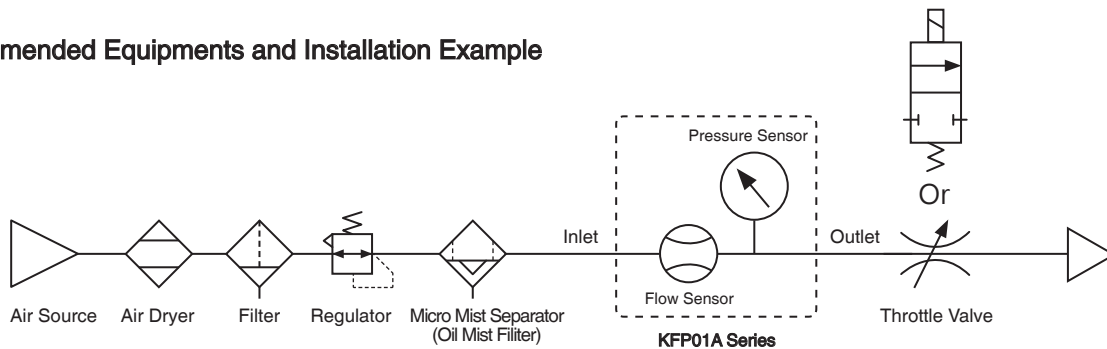
③ Recommended Equipments and Installation



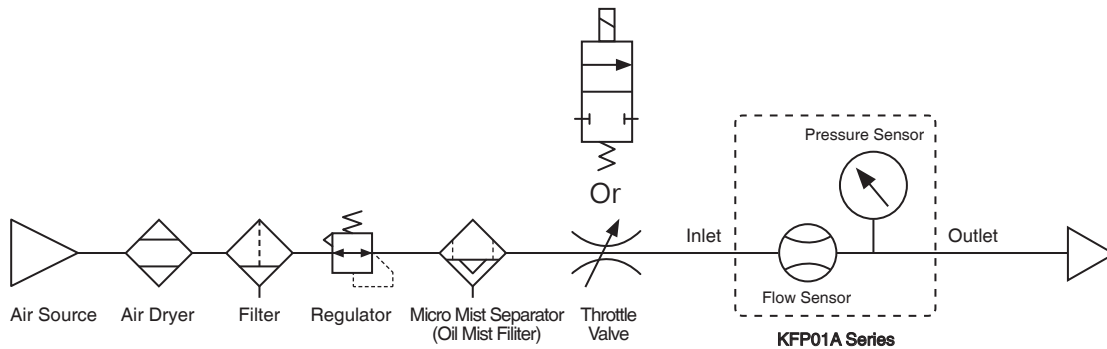
※ NOTE ※

When measuring the pressure of the inlet side, install a throttle valve or solenoid valve on the outlet side.
When measuring the pressure of the outlet side, install a throttle valve or solenoid valve on the inlet side.

④ Recommended Equipments and Installation Example



※ NOTE : When measuring the pressure of the inlet side, install a throttle valve or solenoid valve on the outlet side.



※ NOTE : When measuring the pressure of the outlet side, install a throttle valve or solenoid valve on the inlet side.

Disclaimer

- ① Our warranty applies solely to our product, not to any other damages and injuries which occur by earthquakes, fires, the acts by third party, other matters, acts intentionally, acts accidentally, misuse, or other abnormal conditions that are not the responsibility of KITA.
- ② Our warranty applies solely to our product, not to any other additional damages (the loses of business profits, business interruption, etc.) incurred due to using or misusing the product.
- ③ Our warranty excludes any injuries and damages that happened by using the product beyond the specified range of function stated in the catalog or the instruction manual.

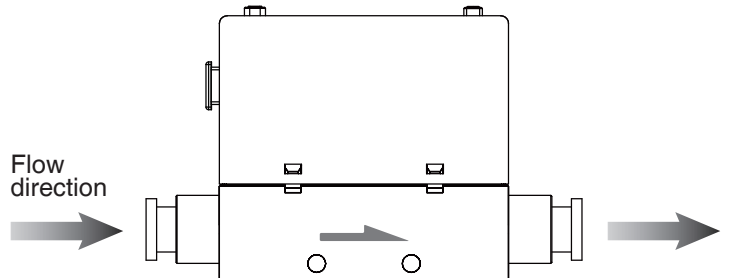
1	Installation Instructions	5
1.1	Piping	5
1.1.1	Piping for the One-Touch Fitting	5
1.1.2	Piping for the internal thread	6
1.2	Mounting bracket	7
1.3	Wiring	8
1.3.1	NPN output, Analog output and external input	8
1.3.2	PNP output, Analog output and external input	9
1.3.3	NPN output, RS-485 Modbus	10
1.3.4	PNP output, RS-485 Modbus	10
2	How to Use	11
2.1	Names and Functions of Individual Parts	11
2.2	Functions Instructions	12
2.3	Operation Setting	14
3	Modbus RTU Instruction	51
4	Error Code Instruction	53
5	Specifications	54
6	Pressure Loss Characteristics	55
7	Thermal Mass Principles of Flow Sensor	56
8	Ordering Information	56
9	Dimensions	57
10	Internal Structure	59

1 Installation

1.1 Piping

1.1.1 Piping for the One-Touch Fitting

Install the pipe by following the arrow indication that shows the air flow direction on the product.



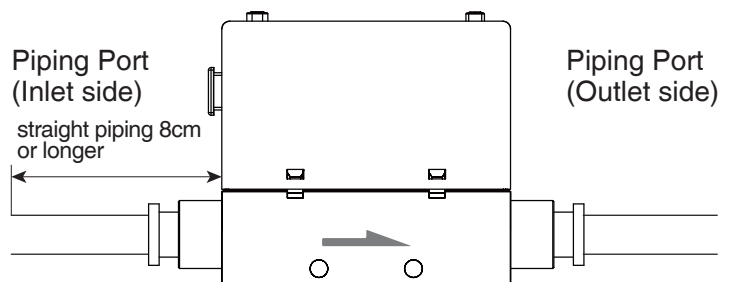
Use straight piping 8cm or longer to connect the Piping Port (Inlet side). If straight piping is not installed, the accuracy may vary by $\pm 2\%$ F.S..

※ Straight Piping: The pipe is without bending and the cross sectional areas of the pipe keeps the same.

While installing the KFP01A-101/201 to the pipe, please apply air tube with I.D. 5 mm.

While installing the KFP01A-005/010/050/100/500 to the pipe, please apply air tube with I.D. 4 mm.

※ The accuracy can vary by approximately $\pm 2\%$ F.S. when such tubing is not used.



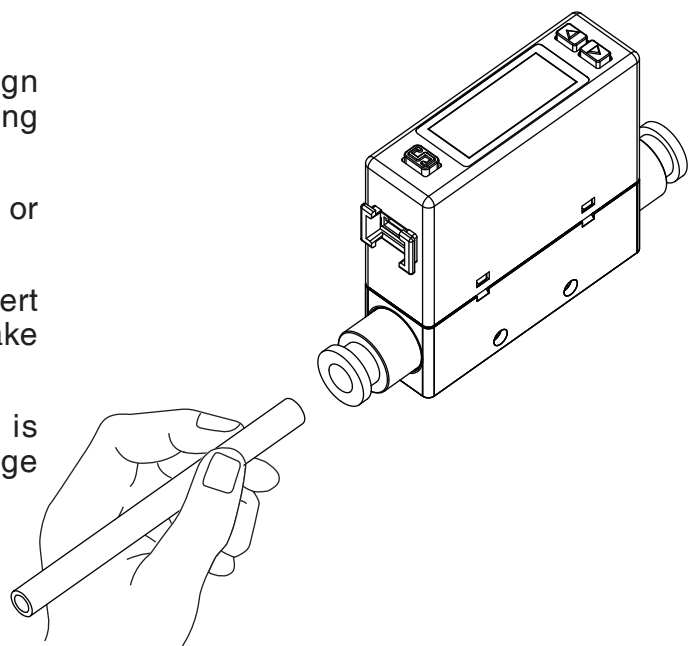
Blow the air to flush out the foreign matters, dust and etc. before installing the pipe.

Uncleaned air may cause malfunction or damage to the product.

Piping for the One-Touch Fitting, insert the tube firmly into the fitting and make sure it cannot be pulled out.

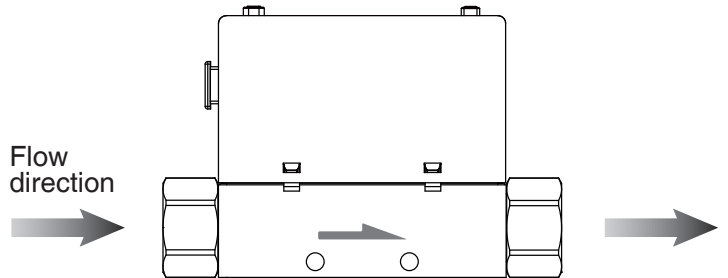
Also using the proper tube cutter is recommended to ensure square edge tube.

※ Recommends using PU tube.



1.1.2 Piping for the internal thread

Install the pipe by following the arrow indication that shows the air flow direction on the product.

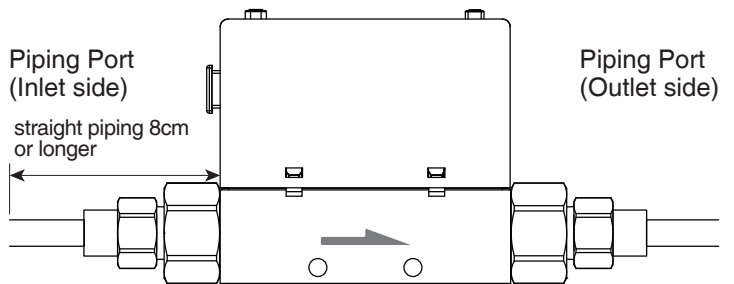


Use straight piping 8cm or longer to connect the Piping Port (Inlet side). If straight piping is not installed, the accuracy may vary by $\pm 2\%$ F.S..

⊗ Straight Piping: The pipe is without bending and the cross sectional areas of the pipe keeps the same.

While installing the KFP01A-101/201 to the pipe, please apply air tube with I.D. 5 mm.

While installing the KFP01A-005/010/050/100/500 to the pipe, please apply air tube with I.D. 4 mm.



⊗ The accuracy can vary by approximately $\pm 2\%$ F.S. when such tubing is not used.

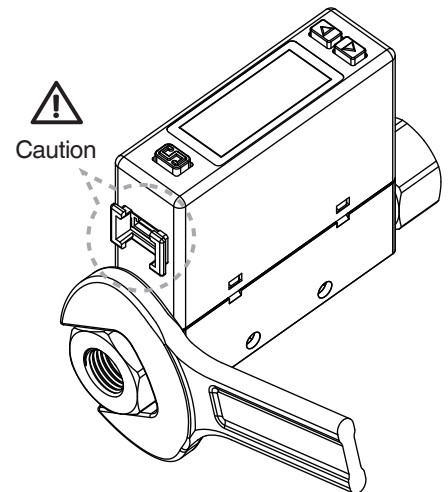
When mounting the fitting, a wrench should be used on the metal part.

Using on other parts of the product with a wrench may damage the product.

If the tightening torque is exceeded, the product can be broken. If the tightening torque is insufficient, the fitting may become loose and cause air leakage. Please refer to the applicable torque below.

After installation completed, turn on the gas and power supply for proper operation and leaking test to confirm whether the installation is correct.

Piping Specification	Required Torque
Rc1/8"	4 ~ 7 N.m
Rc1/4"	6 ~ 8 N.m



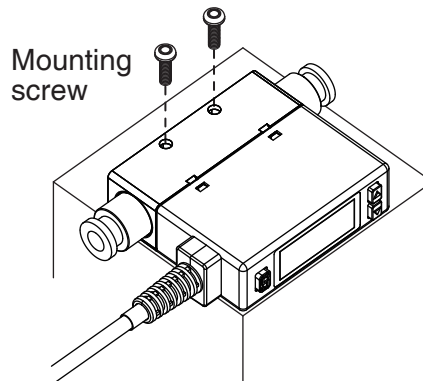
1.2 Mounting Bracket / Optional Parts

The LCD display may be difficult to see at certain angles.

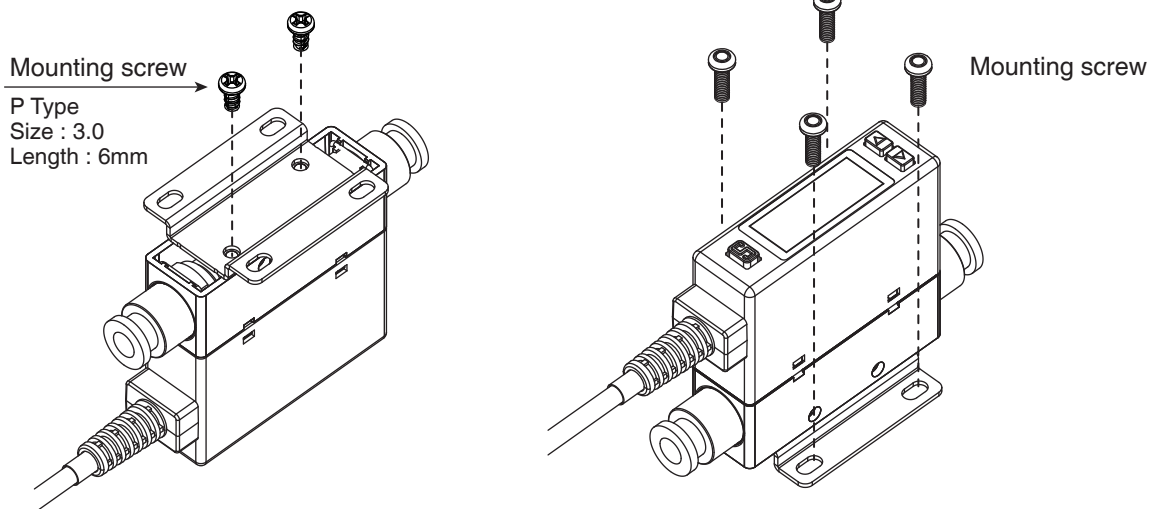
The sensor can be installed horizontally or vertically, but the flow rates may change because of the installation way of the product or piping.

The tightening torque for screws should be under 0.5 ± 0.1 N.m.

1 . Horizontal mounting (by Through-Hole)

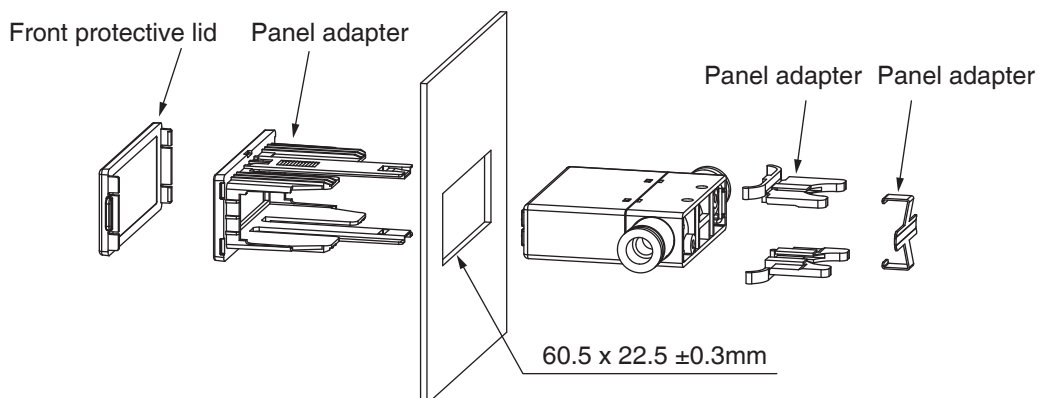


2 . Bracket mounting



※ The tightening torque for bracket mounting screws should be under 0.5 ± 0.1 N.m.

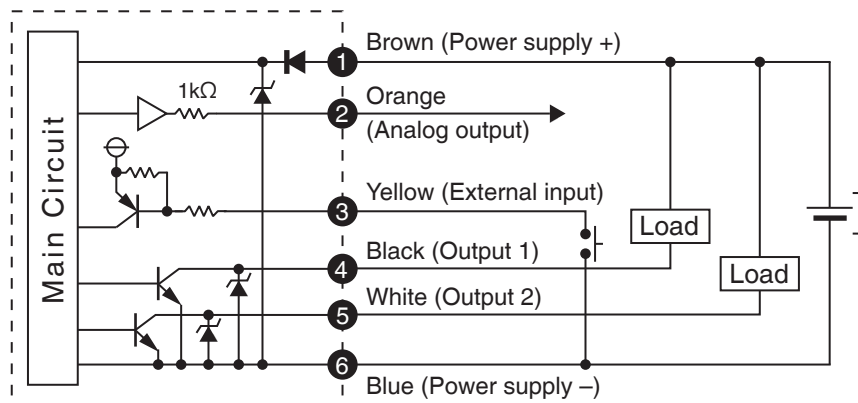
3 . Panel mounting



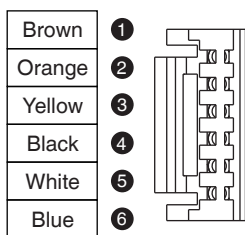
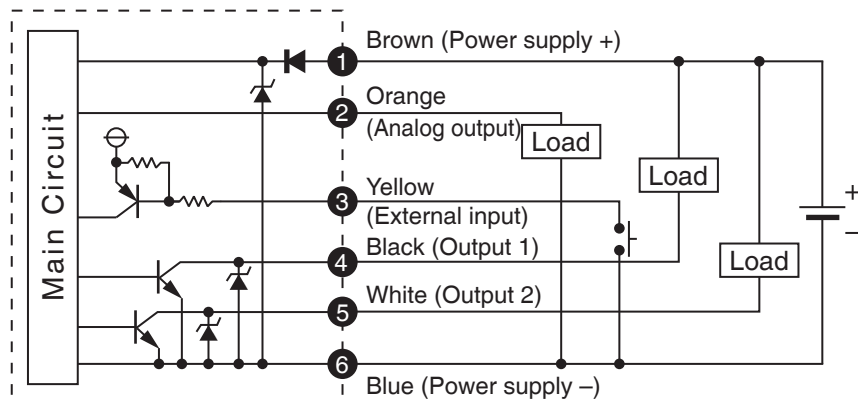
1.3 Wiring Diagrams

1.3.1 NPN Output, Analog Output and External Input

- NPN Output / Analog Voltage Output / External Input



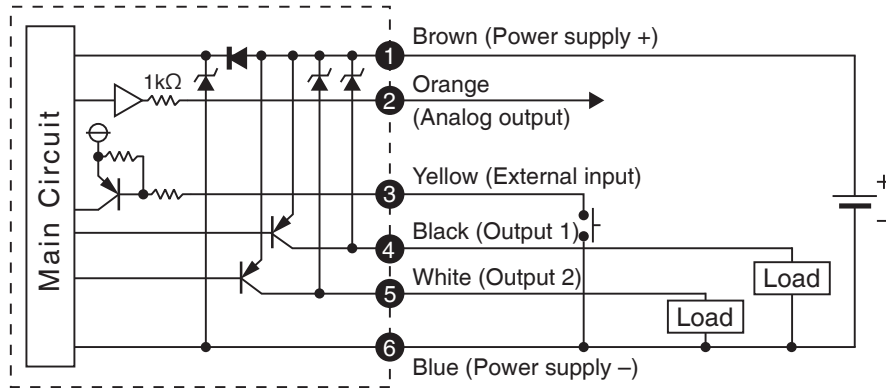
- NPN Output / Analog Current Output / External Input



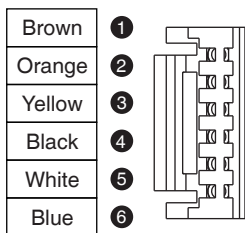
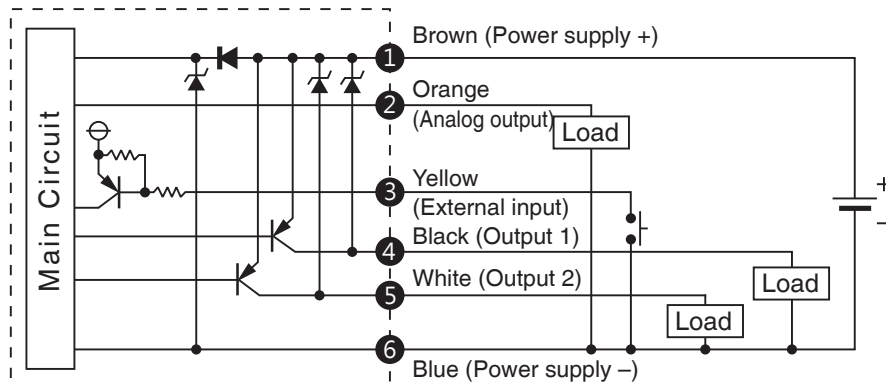
Pin No.	Line color	Content
1	Brown	Power supply (DC 12 to 24V DC)
2	Orange	Analog voltage output : 1 ~ 5V Analog current output : 4 ~ 20mA
3	Yellow	External input
4	Black	Output 1 (Max. load current : 125mA)
5	White	Output 2 (Max. load current : 125mA)
6	Blue	0V (GND)

1.3.2 PNP Output, Analog Output and External Input

● PNP Output / Analog Voltage Output / External Input

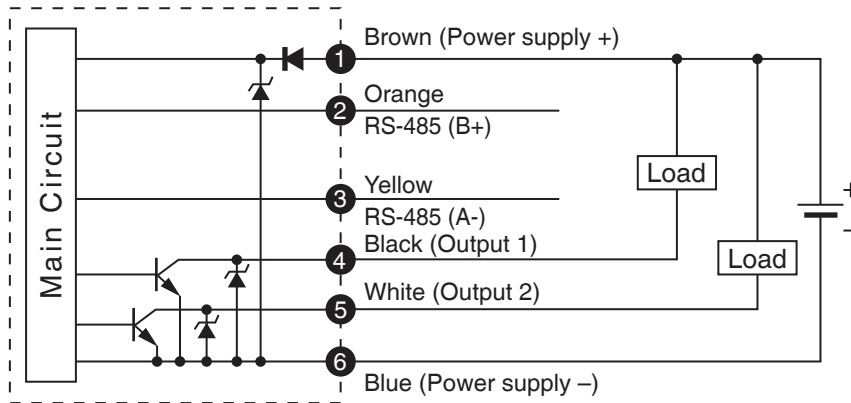


● PNP Output / Analog Current Output / External Input

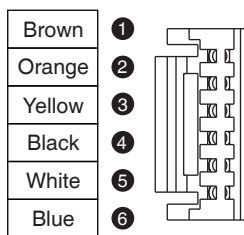
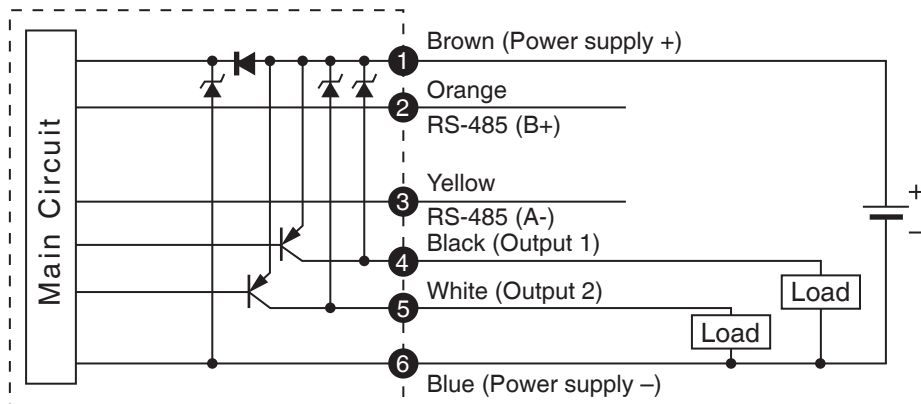


Pin No.	Line color	Content
1	Brown	Power supply (DC 12 to 24V DC)
2	Orange	Analog voltage output : 1 ~ 5V Analog current output : 4 ~ 20mA
3	Yellow	External input
4	Black	Output 1 (Max. load current : 125mA)
5	White	Output 2 (Max. load current : 125mA)
6	Blue	0V (GND)

1.3.3 NPN Output, RS-485 Modbus



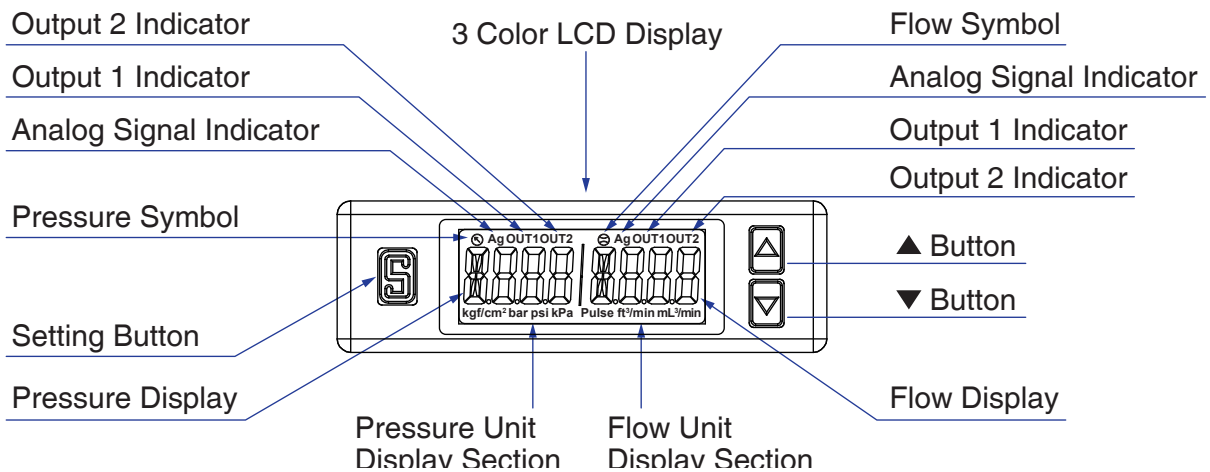
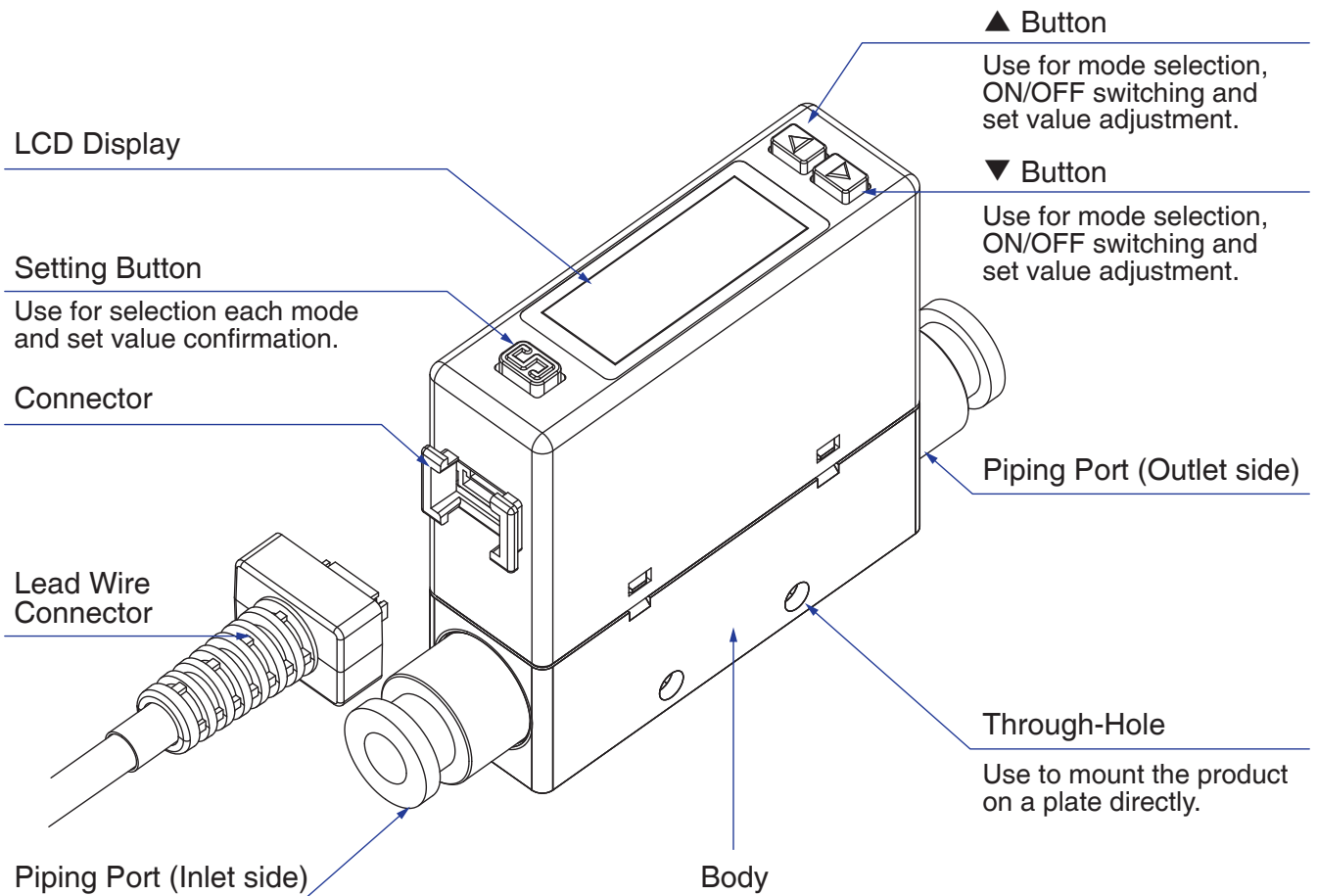
1.3.4 PNP Output, RS-485 Modbus



Pin No.	Line color	Content
1	Brown	Power supply (DC 12 to 24V DC)
2	Orange	RS-485 (B+)
3	Yellow	RS-485 (A-)
4	Black	Output 1 (Max. load current : 125mA)
5	White	Output 2 (Max. load current : 125mA)
6	Blue	0V (GND)

2 How to Use

2.1 Names and Functions of Individual Parts



2.2 Function Instruction

● Function Setting Mode

Function Code	Item	Default setting	Explanation	Page
[F-01]	[oUt 1] OUT1 setting		Select Output 1 corresponding to flow sensor or pressure sensor. Set the flow rate or pressure value to switch ON/OFF.	P.15
	[oUt 1] OUT1 sensor correspondence	FLoU		
	[FLoU] OUT1 output mode	HYS		
	[oUt 1] OUT1 output type	no		
	[FL- 1] OUT1 set value input	50% of maximum measured flow rate 005 : 250 mL/min, 010 : 500 mL/min 050 : 2.50 L/min, 100 : 5.00 L/min 500 : 25.0 L/min, 101 : 50.0 L/min 201 : 100 L/min		
	[FH- 1] OUT1 set value input	60% of maximum measured flow rate 005 : 300 mL/min, 010 : 600 mL/min 050 : 3.00 L/min, 100 : 6.00 L/min 500 : 30.0 L/min, 101 : 60.0 L/min 201 : 120 L/min		
[F-02]	[oUt 2] OUT2 setting		Select Output 2 corresponding to flow sensor or pressure sensor. Set the flow rate or pressure value to switch ON/OFF.	P.20
	[oUt 2] OUT2 sensor correspondence	FLoU		
	[FLoU] OUT2 output mode	HYS		
	[oUt 2] OUT2 output type	no		
	[FL- 2] OUT2 set value input	50% of maximum measured flow rate 005 : 250 mL/min, 010 : 500 mL/min 050 : 2.50 L/min, 100 : 5.00 L/min 500 : 25.0 L/min, 101 : 50.0 L/min 201 : 100 L/min		
	[FH- 2] OUT2 set value input	60% of maximum measured flow rate 005 : 300 mL/min, 010 : 600 mL/min 050 : 3.00 L/min, 100 : 6.00 L/min 500 : 30.0 L/min, 101 : 60.0 L/min 201 : 120 L/min		
[F-03]	[LCoR] LCD Display setting		Select back light color and display mode.	P.21
	[d 5P] LCD Display corresponding to output	oUt 1		
	[LoL] LCD Display color setting	SoG		
[F-04]	[RE5P] Flow/Pressure sensor setting	FLoU	Select the response time for switch output. Pressure sensor: 2.5ms ~ 1500ms Flow sensor: 50ms ~ 1500ms	P.22
	[FLoU] Response time setting	800(ms)		
[F-05]	[UPdR] Flow/Pressure sensor setting	FLoU	Display refresh cycle can be set in 200ms, 500ms or 1000ms.	P.24
	[UPdR] Display refresh time of flow sensor setting	500(ms)		
[F-06]	[Un t] Unit setting		Select the UNIT of pressure / flow sensor.	P.26
	[FLoU] Flow unit setting	LPn		
	[Pr-ES] Pressure unit setting	PR		
[F-07]	[rEFE] Flow reference standard setting	Rnr	Select the flow value is shown under standard (ANR) or normal condition (NOR).	P.27

Function Code	Item	Default setting	Explanation	Page
[F-08]	[RnG] Analog output setting	FL02	Select the analog corresponding to pressure or flow sensor.	P.28
[F-09]	[EEP] Accumulated value hold setting	OFF	To save the last accumulated flow value every 2 or 5 minutes.	P.29
[F-10]	[d15] Flow sensor display mode setting	n5	Select to display Instantaneous Flow or Accumulated Flow Mode.	P.30
	[d5P] Flow sensor display mode setting			
[F-11]	[FLU1] Fluid setting	R1r	Select desired fluid.	P.31
[F-80]	[54n] Sync the value of flow analog output and display	OFF	Turn ON to synchronize the value of flow analog output and display.	P.32
[F-90]	[R0Ut] Analog output range setting	OFF	Adjust the desired flow or pressure range corresponding to analog output.	P.33
	[RG_L] Min. value of desired flow or pressure range	0		
	[RG_H] Max. value of desired flow or pressure range	Pressure sensor : 1000 kPa Flow sensor : Max. measured flow rate		
[F-91]	[Eco] Power-Save mode setting	no	Select if turn on power-save mode to reduce power consumption	P.37
[F-92]	[nP] External input setting	r_r	Select for Accumulated flow rate zero clear, Auto-Shift or Auto-Shift zero.	P.38
[F-93]	[nbU5] Modbus RTU setting		Set ID number, baud rate and transmission format.	P.39
	[d] ID number setting	1		
	[rRt] Baud rate setting	96(9600 Bd)		
	[For] Transmission format setting	nB1		
	[tR] Communications protocol setting	rU		
[F-94]	[FinE] Fine adjustment setting	OFF	The displayed value can be adjusted slightly.	P.41
[F-95]	[F0Ut] Forced output function		To force output ON/OFF to test the switch function.	P.43
	[0Ut1] Forced output function	OFF		
	[0Ut2] Forced output function	OFF		
[F-99]	[rE5t] Reset to the default setting		Return to the factory default setting.	P.44
	[r5t] Reset to the default setting	OFF		


● Measurement Mode

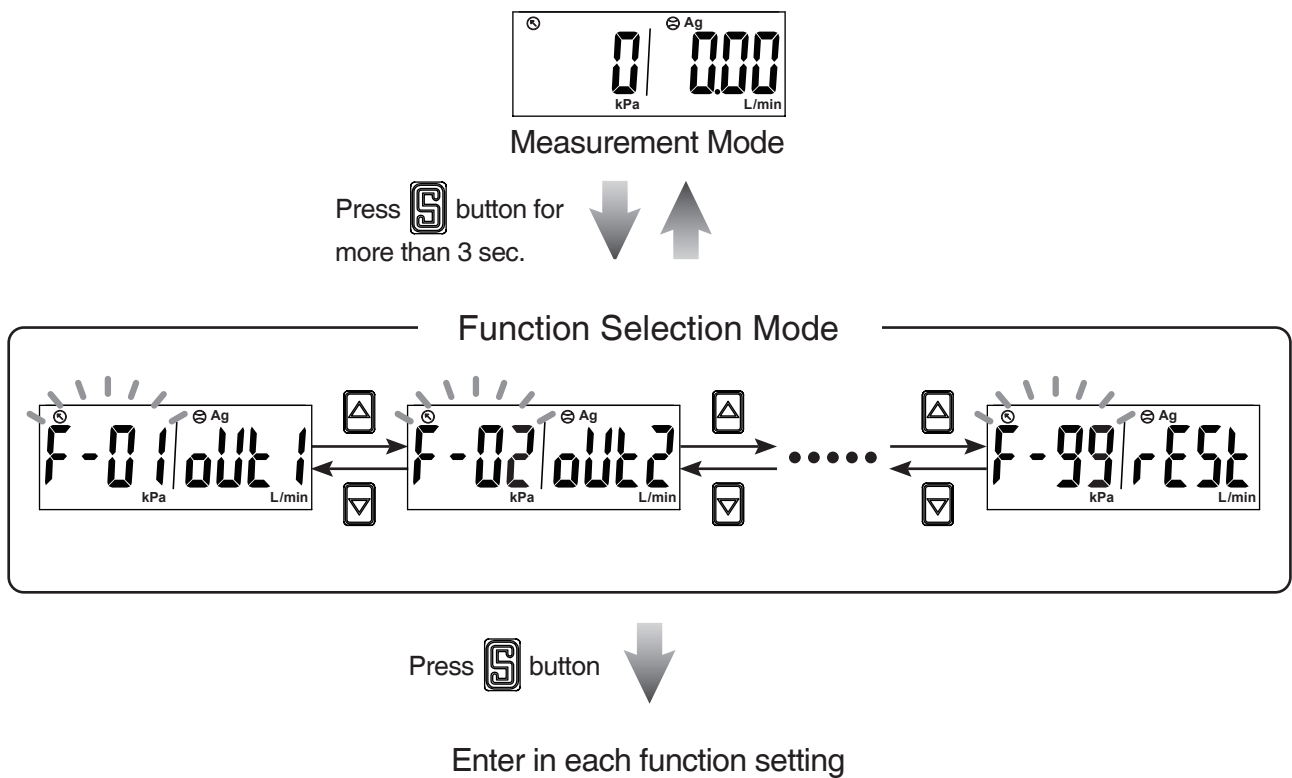
Item	Explanation
Flow display	Display instantaneous flow rate.
Accumulated flow rate display	Display accumulated flow rate.
Instantaneous Flow rate zero setting	The displayed instantaneous flow rate value can be adjusted to "0".
Accumulated flow rate zero clear	The accumulated flow rate can be set to "0".
Peak value display	The maximum pressure or instantaneous flow can be detected when the power is supplied for a period.
Bottom value display	The minimum pressure or instantaneous flow can be detected when the power is supplied for a period.
Key lock mode	To prevent errors occurring due to unintentional changes of the set values.

2.3 Operation Instructions

Function Selection Mode

At Measurement Mode, press  button for more than 3 sec. to display [F-01]. Press  or  button to select other setting functions.

Press  for 3 sec. at Function Setting Mode to return to Measurement Mode.



2.3.1 [F-□] OUT1 Setting

Setting corresponding sensor and operating mode of OUT1.

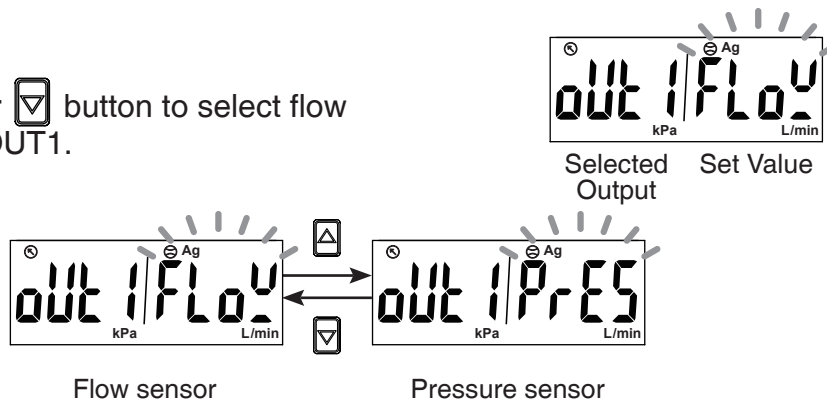
● 1. Flow sensor setting

Press or button at Function Selection Mode to display [F-□] [OUT1].

Press button

Sensor Selection

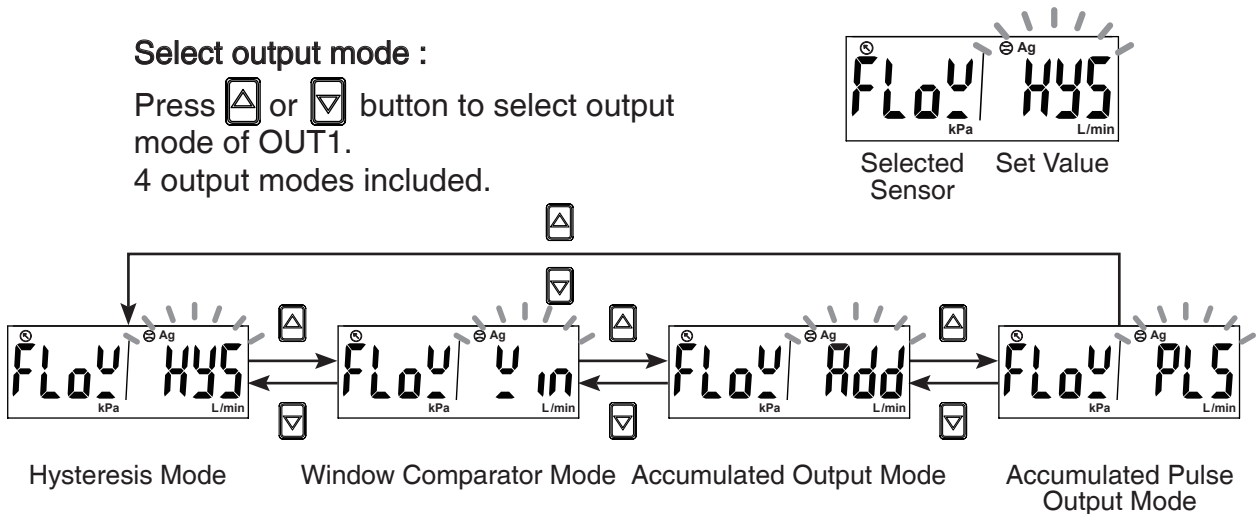
Press or button to select flow sensor of OUT1.



Press button

Output Mode Setting

Select output mode :
Press or button to select output mode of OUT1.
4 output modes included.



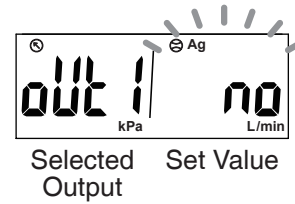
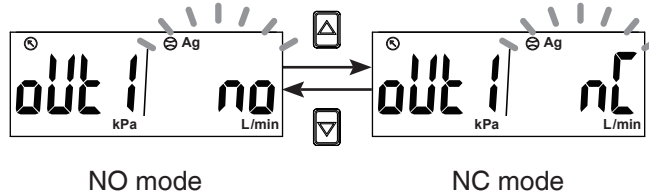
※ NOTE : Accumulated Pulse Mode is available in OUT1, but not in OUT 2.

Press button (to be continued)

Output Type Setting

OUT1 type setting :

Press or button to select OUT1 type.



※ NOTE : Type setting will not display when Accumulated Pulse Output Mode is set.

Press button

Set Value Setting

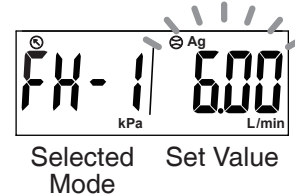
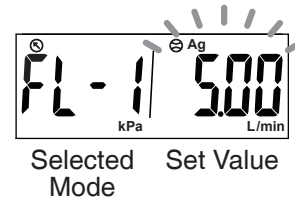
OUT1 set value setting :

Press or button to adjust the set value.

Hysteresis Mode [HYS] : [FL - I] · [FH - I]

Window Comparator Mode [Win] : [FL - I] · [FH - I]

Accumlated Output Mode [Add] : [AdL I] · [AdH I]



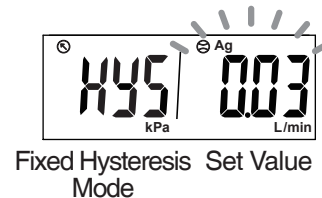
※ NOTE : Set value setting will not display when Accumulated Pulse Output is set.

Press button

Fixed Hysteresis Setting

Fixed hysteresis setting :

Press or button to adjust fixed hysteresis value.



※ NOTE : Fixed hysteresis setting is available when selecting Window Comparator Mode.

Press button to return to Function Selection Mode



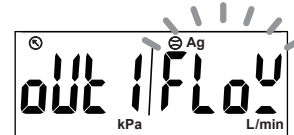
● 2. Pressure sensor setting

Press  or  button at Function Selection Mode to display [F-01] [OUT1].

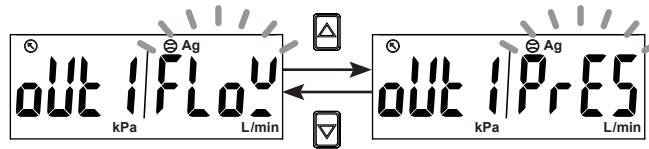
Press  button

Sensor Selection

Press  or  button to select pressure sensor of OUT1.



Selected Output Set Value




Flow sensor

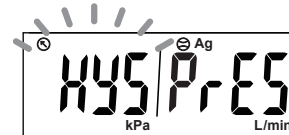
Pressure sensor

Press  button

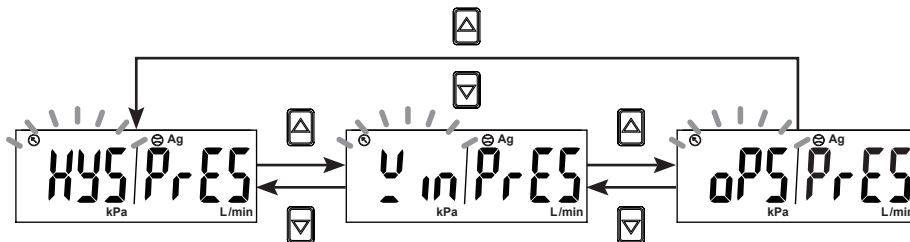
Output Mode Setting

Select output mode :

Press  or  button to select output mode of OUT1.



Set Value Sensor



Hysteresis Mode

Window Comparator Mode

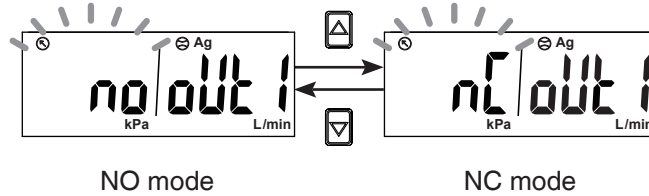
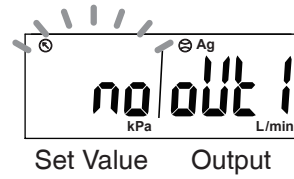
One Point Set Mode

Press  button (to be continued)

Output Type Setting

OUT1 type setting :

Press or button to select OUT1 type.



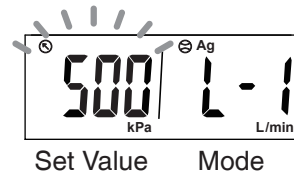
Press button



Set Value Setting

OUT1 set value setting :

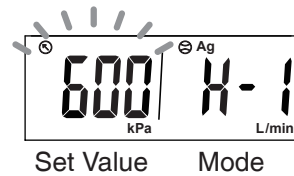
Press or button to adjust the set value.



Hysteresis Mode [HY5] : [L- i] · [H- i]

Window Comparator Mode [W- i] : [L- i] · [H- i]

One Point Set Mode [OP5] : [P- i]



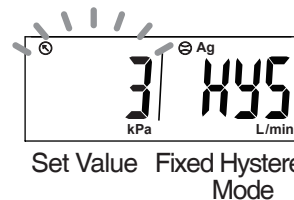
Press button



Fixed Hysteresis Setting

Fixed hysteresis setting :

Press or button to adjust fixed hysteresis value.



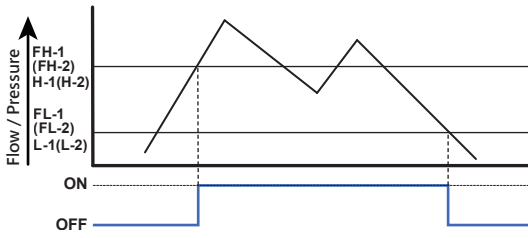
※ NOTE : Fixed hysteresis setting will not display when Hysteresis Mode is set.

Press button to return to Function Selection Mode



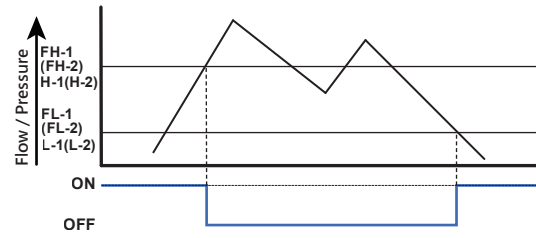
Normal Open Mode

Hysteresis Mode

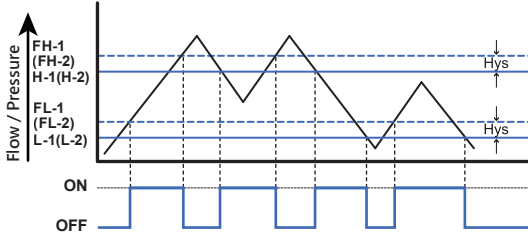


Normal Close Mode

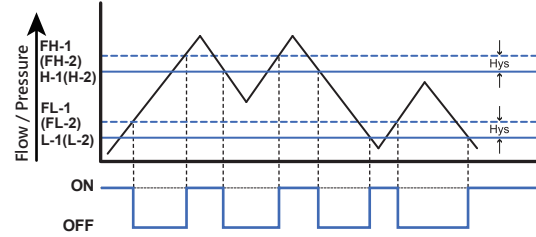
Hysteresis Mode



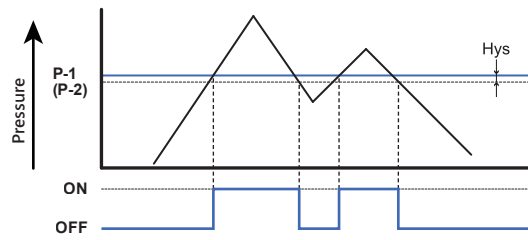
Window Comparator Mode



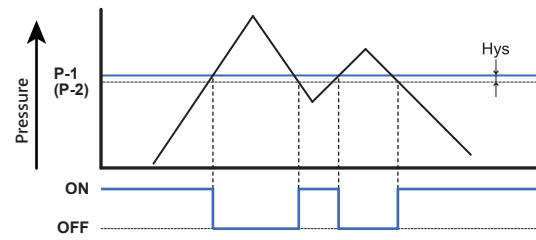
Window Comparator Mode



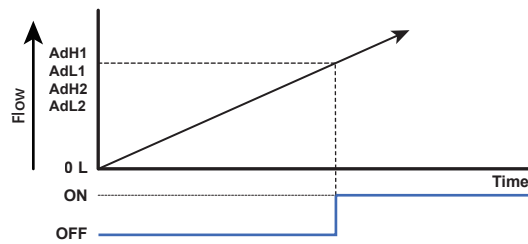
One Point Set Mode



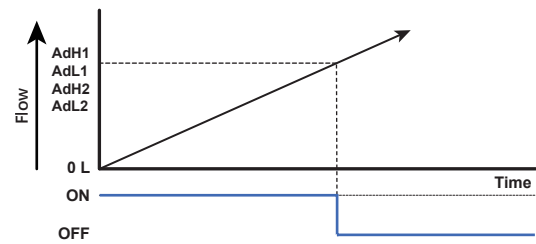
One Point Set Mode



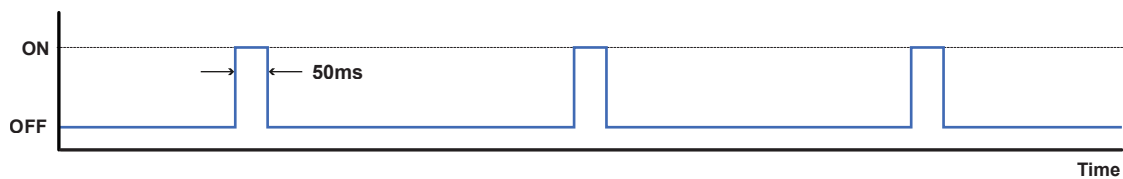
Accumulated Output Mode



Accumulated Output Mode



Accumulated Pulse Output Mode





Flow Range	500mL	1000mL	5L	10L	50L	100L	200L
Pulse Output Rate	5mL	10mL	0.05L	0.1L	0.5L	1L	2L

【NOTE:】

- *1. In case hysteresis is set at less than or equal to 2 digits, switch output may chatter if input detected fluctuates near the set point.
- *2. When using window comparator mode, the difference between two set points must be greater than the fixed hysteresis, otherwise

2.3.2 [F-02] OUT2 Setting

Setting corresponding sensor and operating mode of OUT2.

1. Press  or  button at Function Selection Mode to start "OUT 2 Setting" [F-02] [OUT2].
2. Check the [F-0 i] for the same follow setting.

NOTE : The OUT2 Setting dose not have Accumulated Pulse Output Mode.

2.3.3 [F-03] LCD Display Color Setting

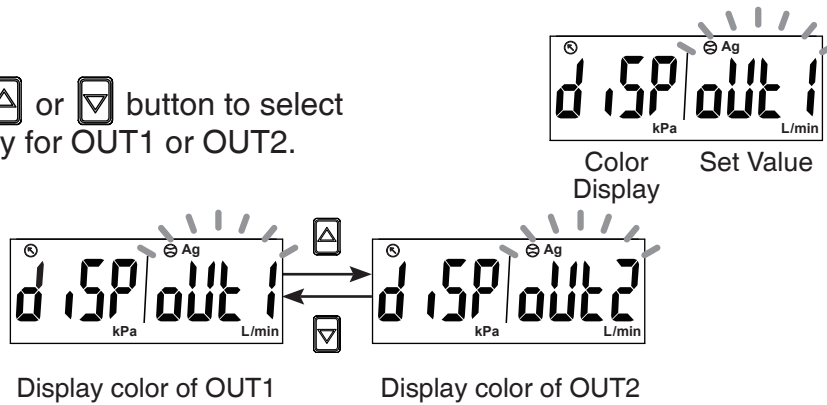
4 LCD Display Color Modes of output value selection.

Press or button at Function Selection Mode to display [F-03] [CLor].

Press button

Output Selection

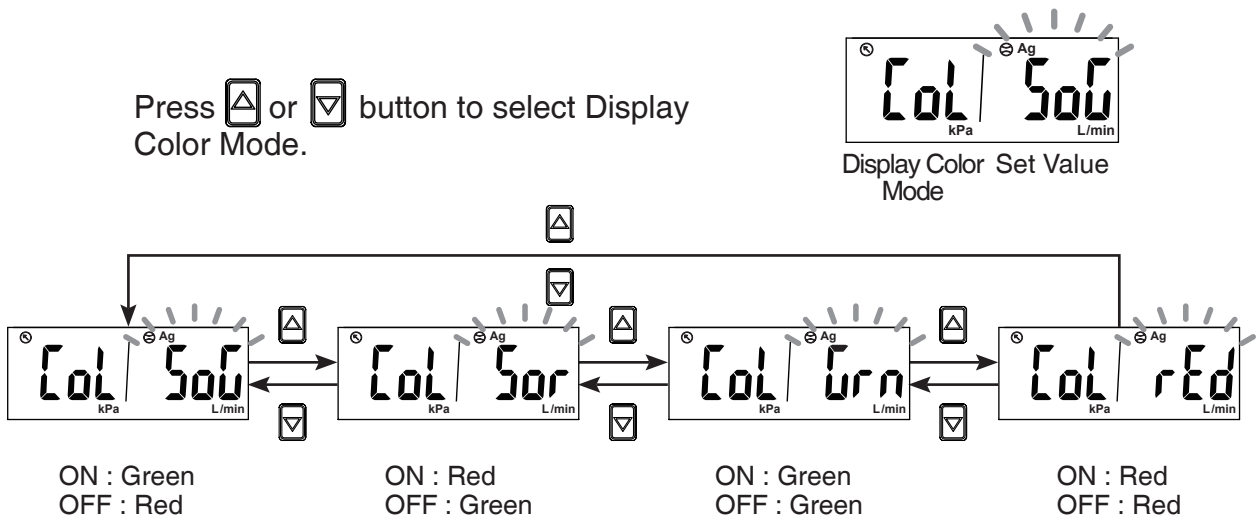
Press the or button to select color display for OUT1 or OUT2.



Press button

Display Color Mode Selection

Press or button to select Display Color Mode.



Press button to return to Function Selection Mode



2.3.4 [F-04] Response Time Setting

Select proper response time to avoid switch output chattering.

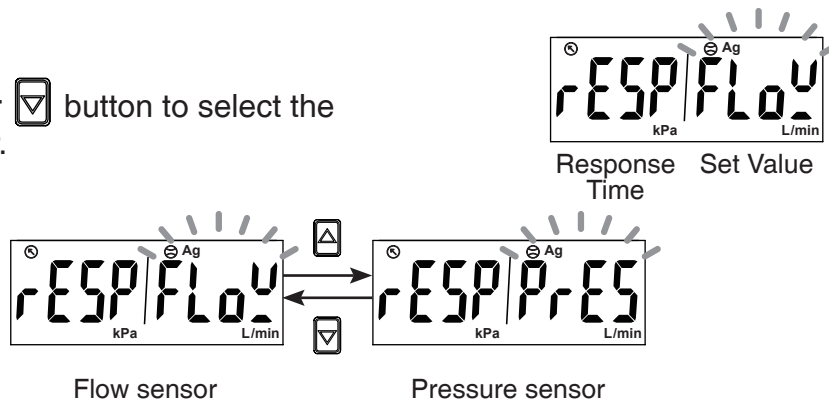
● 1. Flow sensor setting

Press or button at Function Selection Mode to display [F-04] [r-ESP].

Press button

Sensor Selection

Press or button to select the flow sensor.



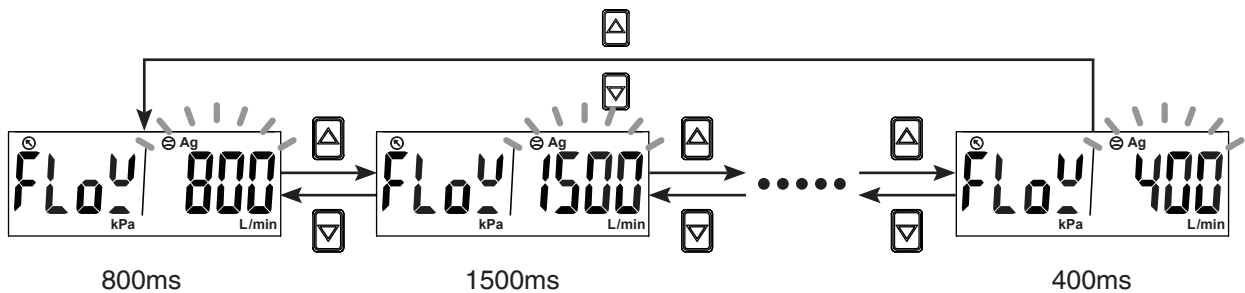
Press button

Response Time Setting

Setting response time of flow sensor :

Press or button to select response time.

Response time selections :
50ms, 80ms, 120ms, 200ms, 400ms, 800ms, 1500ms



Press button to return to Function Selection Mode



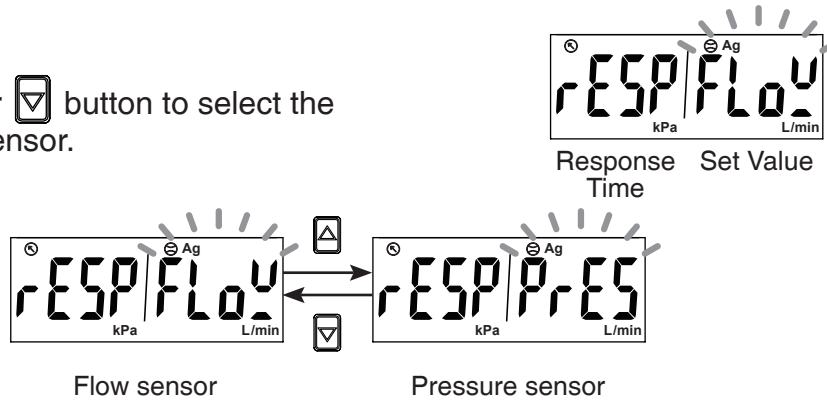
● 2. Pressure sensor setting

Press or button at Function Selection Mode to display [F-04] [r-ESP].

Press button

Sensor Selection

Press or button to select the pressure sensor.



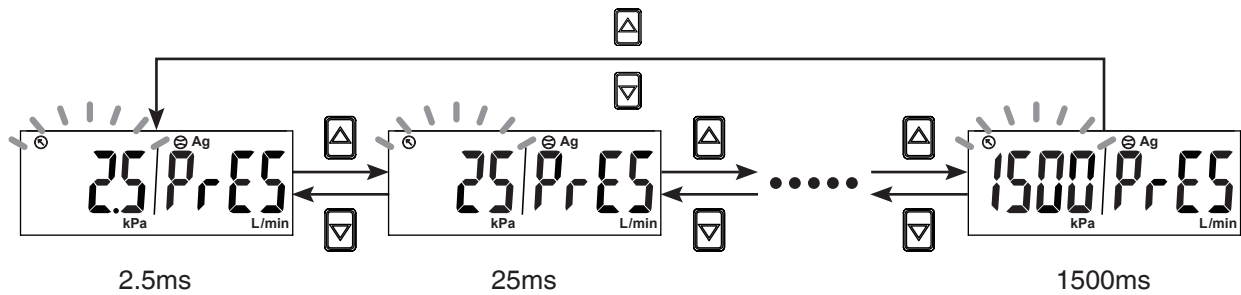
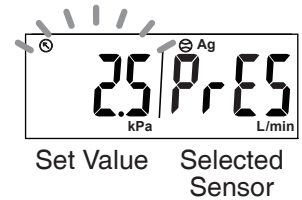
Press button

Response Time Setting

Setting response time of pressure sensor :

Press or button to select response time.

Response time selections :
2.5ms, 25ms, 100ms, 250ms, 500ms, 1000ms, 1500ms



Press button to return to Function Selection Mode



2.3.5 [F-05] Display Refresh Time Setting

Select the proper display refresh time to reduce frequently changing value.

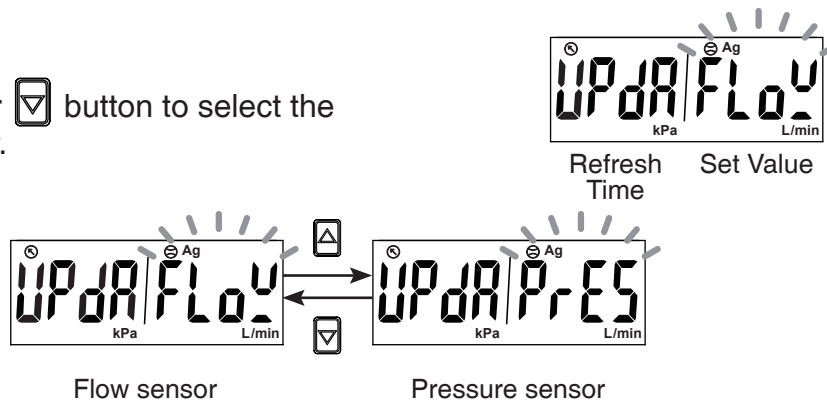
● 1. Flow sensor setting

Press or button at Function Selection Mode to display [F-05] [UPdA].

Press button

Sensor Selection

Press or button to select the flow sensor.



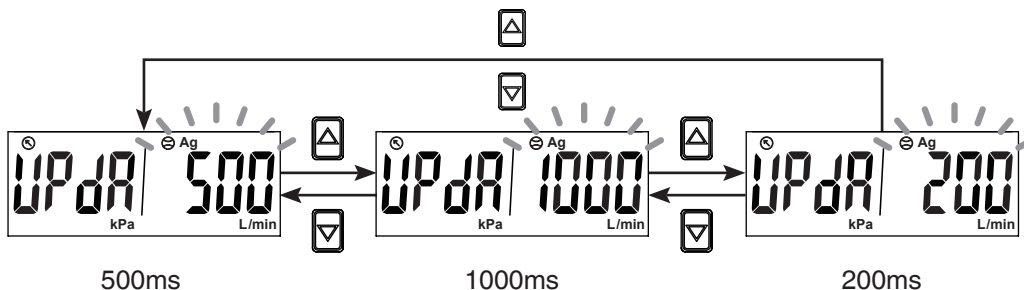
Press button

Display Refresh Time Setting

Setting refresh time of flow sensor :

Press or button to select refresh time.

Display refresh time selections :
200ms, 500ms, 1000ms



Press button to return to Function Selection Mode



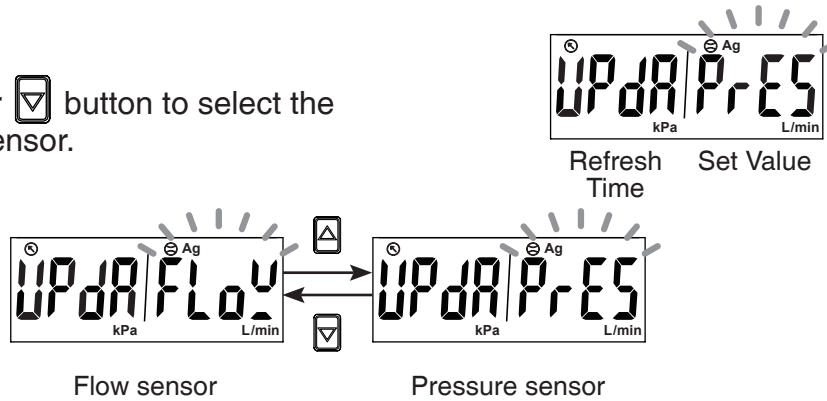
● 2. Setting display refresh time of pressure sensor

Press or button at Function Selection Mode to display [F-05] [UPdA].

Press button

Sensor Selection

Press or button to select the pressure sensor.



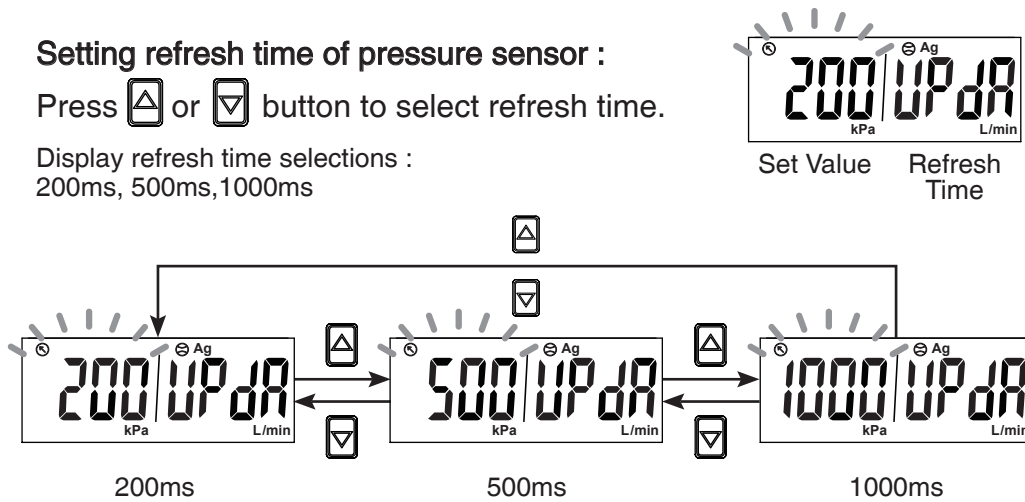
Press button

Display Refresh Time Setting

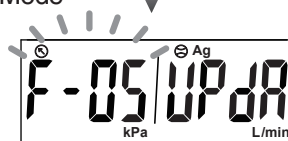
Setting refresh time of pressure sensor :

Press or button to select refresh time.

Display refresh time selections :
200ms, 500ms, 1000ms



Press button to return to Function Selection Mode



2.3.6 [F-06] Unit Setting

Select the flow unit and pressure unit of the sensor.

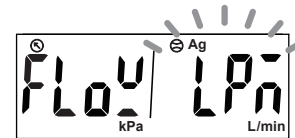
Press or button at Function Selection Mode to display [F-06] [Unit].

Press button

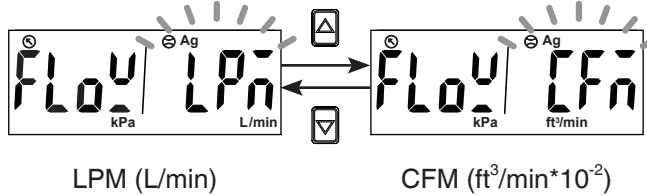
Flow Unit Selection

Press or button to select the flow sensor.

Flow unit selections :
LPM(L/min), CFM(ft³/min*10⁻²)



Flow Sensor Set Value



LPM (L/min)

CFM (ft³/min*10⁻²)

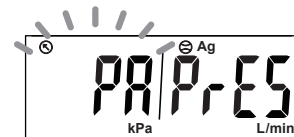
※ NOTE : When the measured flow rate range is 500mL/min or 1000mL/min, the unit of LPM is selected to represent the unit in mL/min.

Press button

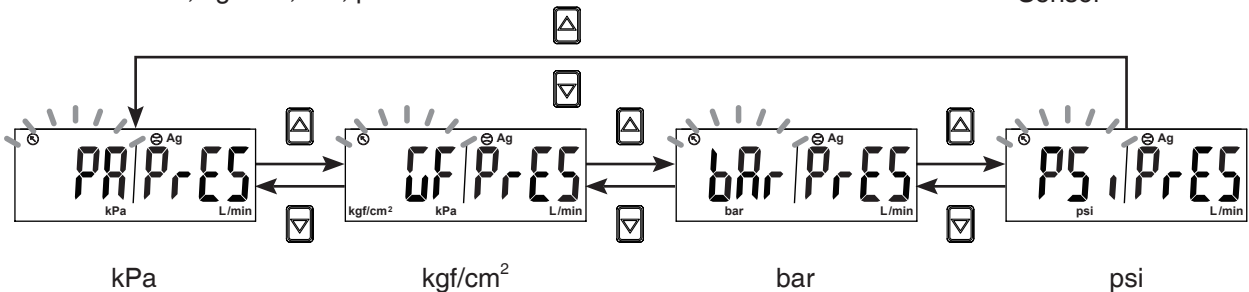
Pressure Unit Setting

Press or button to select pressure unit.

Pressure unit selections :
kPa, kgf/cm², bar, psi



Set Value Pressure Sensor



kPa

kgf/cm²

bar

psi

Press button to return to Function Selection Mode



2.3.7 [F-07] Flow Reference Standard Setting

Select the flow value is shown under standard or normal condition.

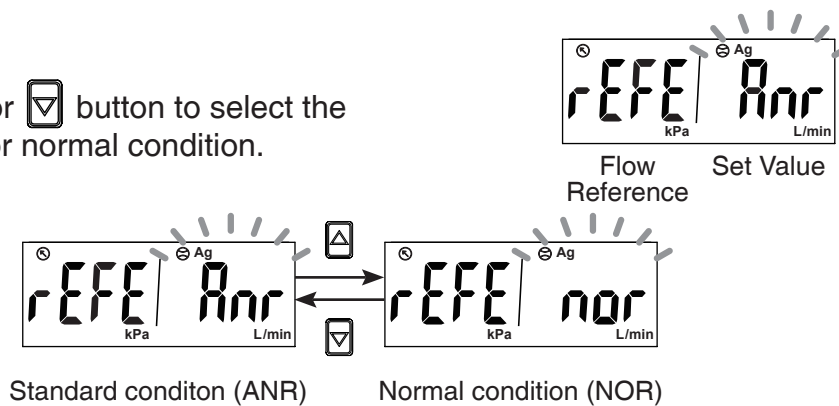
Press  or  button at Function Selection Mode to display [F-07] [rEFE].

Press  button



Flow Reference Standard Setting

Press  or  button to select the standard or normal condition.



※ NOTE :

1. Standard condition (ANR): the display value is calculated under 20°C, 1atm.
2. Normal condition (NOR): the display value is calculated under 0°C, 1atm.
3. Flow rate in the specification is the value at standard condition (ANR).

Press  button to return to Function Selection Mode



2.3.8 [F-08] Analog Output Setting

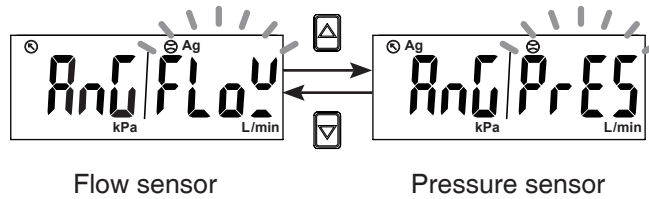
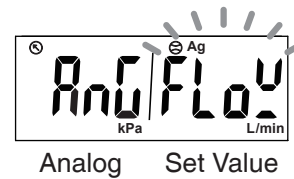
Select flow or pressure sensor corresponding to analog output.

Press  or  button at Function Selection Mode to display [F-08] [AnG].


Press  button

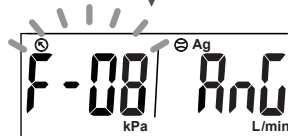
Sensor Selection

Press  or  button to select the sensor of analog output.



※ NOTE : This function is not available with Output Specification -02 and -04.

Press  button to return to Function Selection Mode

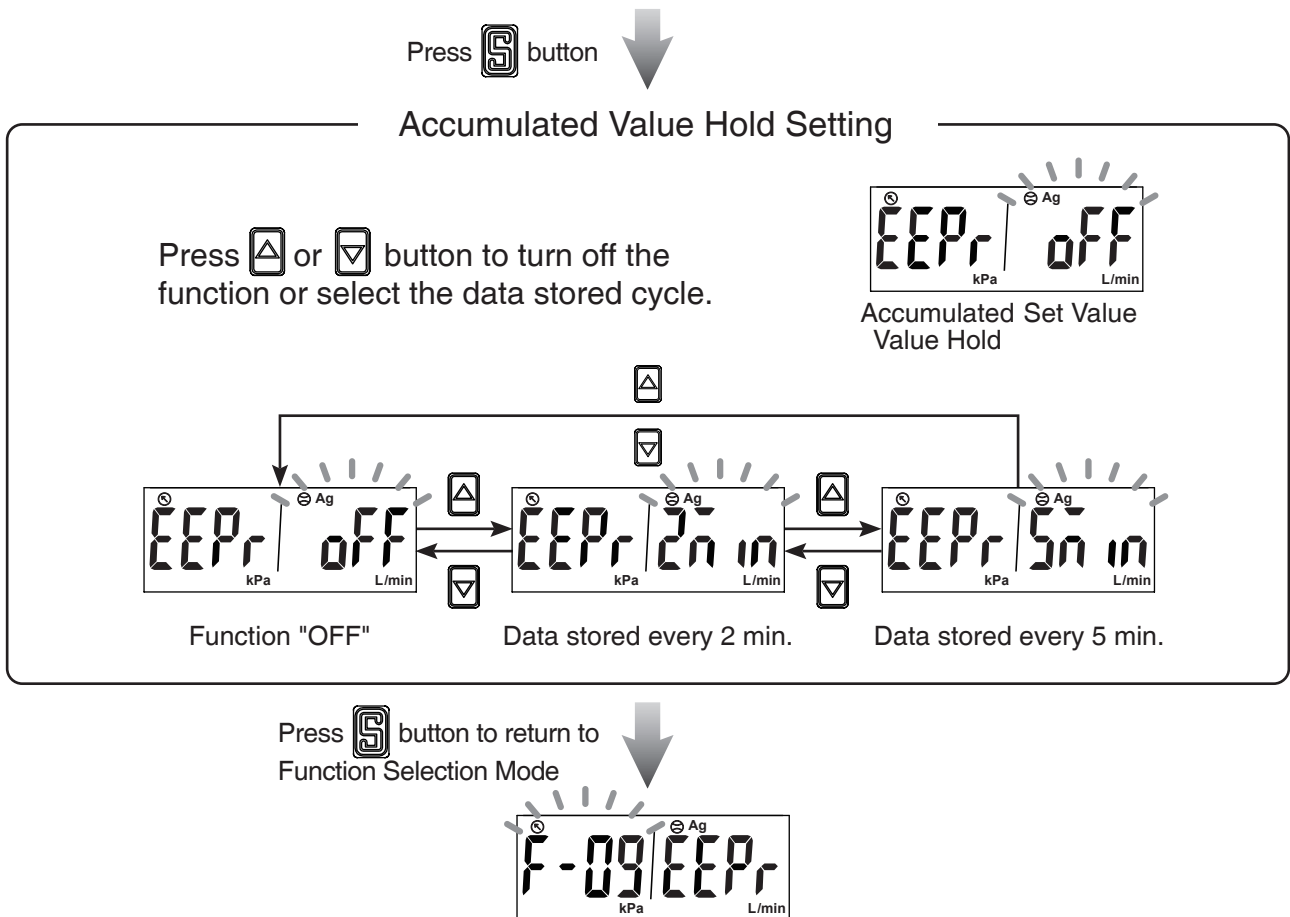


2.3.9 [F-09] Accumulated Value Hold Setting

The default setting is "OFF", the accumulated flow value is zeroed when the power supply is turned off.

Select this function to keep accumulated flow value to be stored in permanent memory and reload the recent saved accumulated value after power supply turns on.

Press  or  button at Function Selection Mode to display [F-09] [EEP_r].



※ NOTE :

The maximum writable limit of the memory device is 1 million cycles.

If the sensor is operated 24 hours per day, the durability is calculated as below :

- ◆ 5 minutes x 1 million cycles = 5 million minutes = 9.5 years
- ◆ 2 minutes x 1 million cycles = 2 million minutes = 3.8 years



2.3.10 [F- 10] Flow Sensor Display Mode Setting

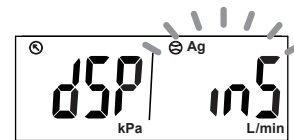
Select to display Instantaneous Flow or Accumulated Flow Mode.

Press  or  button at Function Selection Mode to display [F- 10] [d ,5].

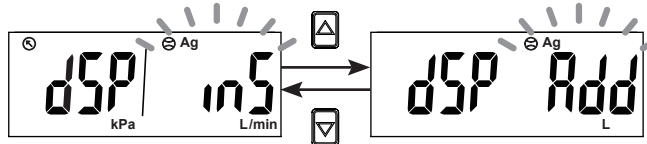
Press  button

Display Mode Setting

Press  or  button to select display mode.




Display Flow Set Value

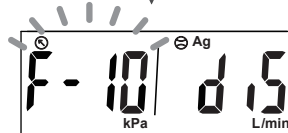


Instantaneous Flow Mode

Accumulated Flow Mode

※ NOTE : When the measured flow rate range is 500mL/min or 1000mL/min, the accumulated flow is selected and the unit will become in mL/min.

Press  button to return to Function Selection Mode



2.3.11 [F-11] Fluid Setting

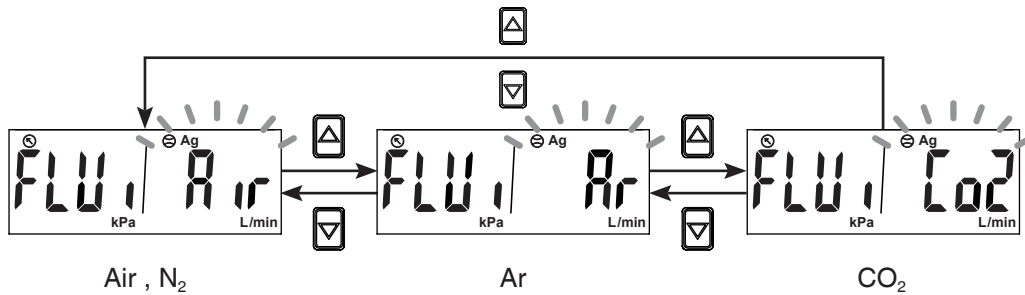
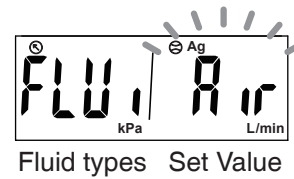
Select the desired fluid. The fluid of default setting is dry air or N₂.

Press  or  button at Function Selection Mode to display [F-11] [FLU1].

Press  button

Fluid Setting

Press  or  button to select a fluid type.



Press  button to return to Function Selection Mode



2.3.12 [F-80] Sync the value of flow analog output and display

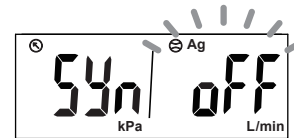
Turn ON to synchronize the value of flow analog output and display.

Press  or  button at Function Selection Mode to display [F-80] [54n].

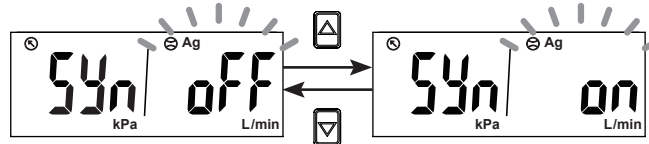
Press  button

Display Sync Selection

Press  or  button to set display sync.



Display Sync Set Value



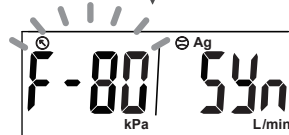
Display sync "OFF"

Display sync "ON"

※ NOTE :

1. This function is not available with RS485 (Output Specification -02 and -04).
2. This function is available for output of flow rate only.

Press  button to return to Function Selection Mode



2.3.13 [F-90] Analog Output Range Setting

Select flow or pressure sensor corresponding to analog output in [F-08] function. Then set the desired flow or pressure range within the display range, which corresponds to the analog output range.

Default setting : Flow sensor is the measured flow rate range

Pressure sensor is 0 ~ 1000kPa

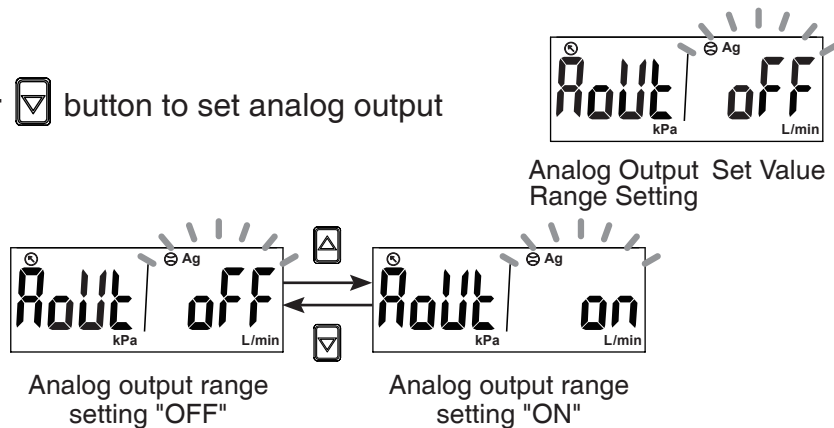
● 1. Flow sensor setting

Press or button at Function Selection Mode to display [F-90] [Rout].

Press button

Analog Output Range Setting

Press or button to set analog output range.



※ NOTE :

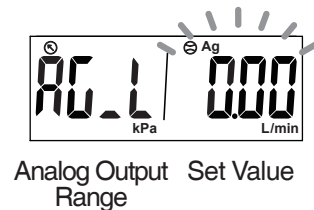
- 1. This function is not available with RS485 (Output Specification -02 and -04).
- 2. The sensor will return to [F-90] [Rout] when select OFF.

Press button

Range Setting

Min. setting value :



Press or button to adjust the min. value.



Press button (to be continued)


Range Setting

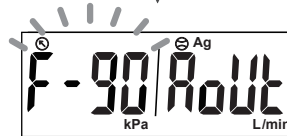
Max. setting range :

Press  or  button to adjust the max. value.

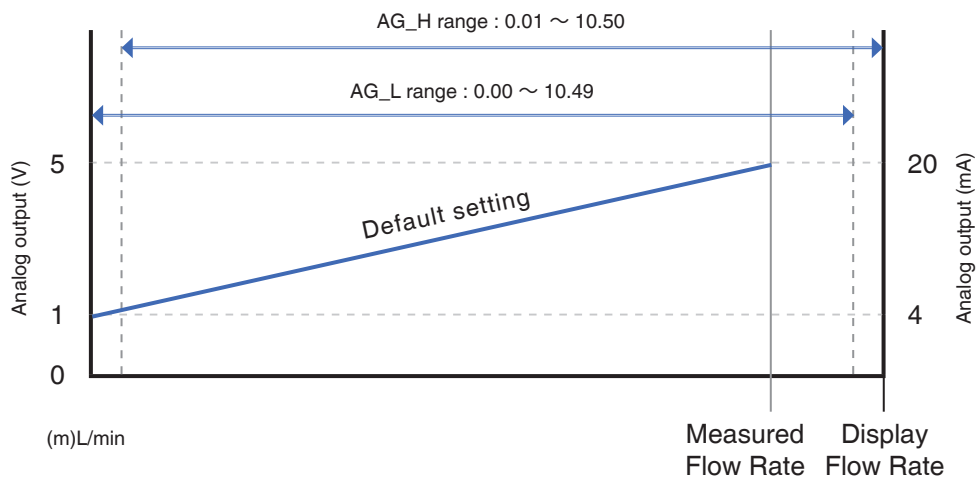


Analog Output Range Set Value

Press  button to return to Function Selection Mode



Max. / Min. Value Setting



Flow range / Settable range	500mL	1000mL	5L	10L	50L	100L	200L
AG_L	0 ~ 524	0 ~ 1049	0.00 ~ 5.24	0.00 ~ 10.49	0.0 ~ 52.4	0.0 ~ 104.9	0 ~ 209
AG_H	1 ~ 525	1 ~ 1050	0.01 ~ 5.25	0.01 ~ 10.50	0.1 ~ 52.5	0.1 ~ 105.0	1 ~ 210

e.g. : Measured flow rate range 0 ~ 10L

- ◆ AG_L range : AG_L ~ AG_H – 1 digit
- ◆ AG_H range : AG_L + 1 digit ~ AG_H

● 2. Pressure sensor setting

Press or button at Function Selection Mode to display [F-90] [ROUT].

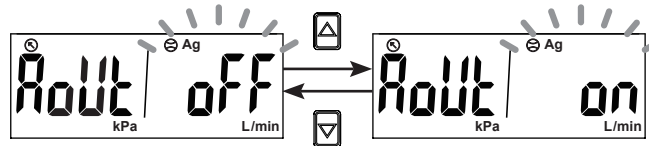
Press button

Analog Output Range Setting

Press or button to set analog output range.



Analog Output Set Value Range Setting



Analog output range setting "OFF"

Analog output range setting "ON"

※ NOTE :

1. This function is not available with RS485 (Output Specification -02 and -04).
2. The sensor will return to [F-90] [ROUT] when select OFF.

Press button

Range Setting

Min. setting range :

Press or button to adjust the min. value.



Set Value Analog Output Range

※ NOTE : AG_L range : -100 ~ 999

Press button

Range Setting


Max. setting range :

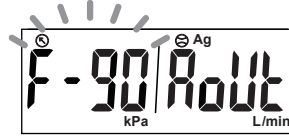
Press or button to adjust the max. value.



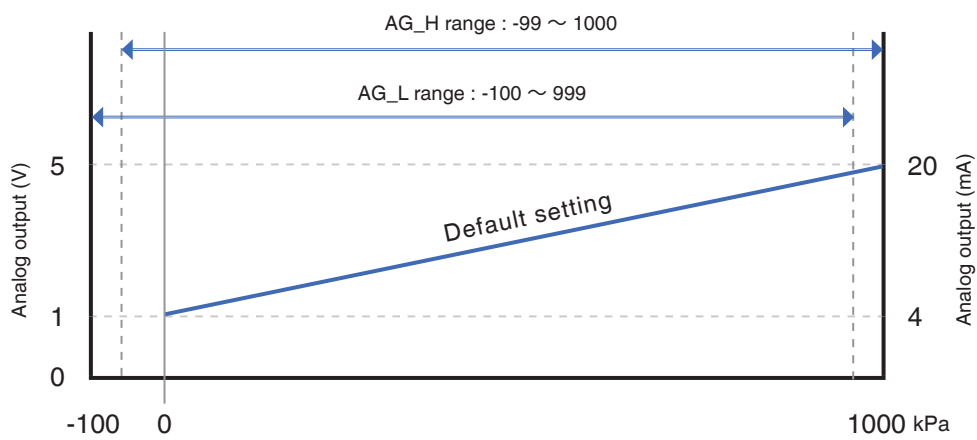
Set Value Analog Output Range

※ NOTE : AG_H range : -99 ~ 1000

Press  button to return to Function Selection Mode



Max. / Min. Value Setting



Rated pressure range : -100 ~ 1000 kPa

- ◆ AG_L range : AG_L ~ AG_H - 1 digit
- ◆ AG_H range : AG_L + 1 digit ~ AG_H

2.3.14 [F-9 1] Power-Save Mode Setting

Select Power-Save Mode at Measurement Mode.

During the Power-Save Mode, the main display will turned off if no buttons is pressed in 30 sec., press any keys to leave the Power-Save Mode.

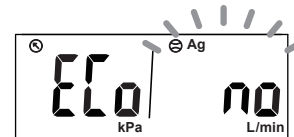
Press  or  button at Function Selection Mode to display [F-9 1] [ELo].

Press  button

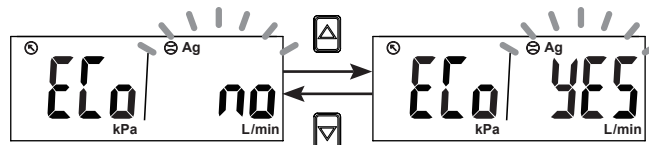


Power-Save Mode Setting

Press  or  button to turn on the power-save mode.



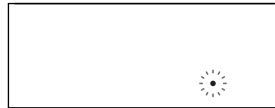
Power-Save Set Value Mode




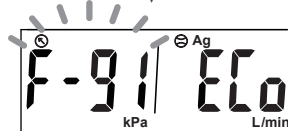
Power-save mode "OFF"

Power-save "ON"

※ NOTE : During the Power-Save Mode, the decimal point will flash.



Press  button to return to Function Selection Mode



2.3.15 [F-92] External Input Setting

Accumulated flow external reset : The accumulated flow value will reset to "0" when an external input signal is applied.

Auto-shift : The instantaneous flow rate will regard as the standard when the external input signal is applied. The switch output function operates relative to its change.

Auto-shift zero : The instantaneous flow rate is reset to zero to regard as standard when the external input signal is applied.

The switch output function operates relative to its change.


This function is only for output 1 corresponding to flow sensor action point.

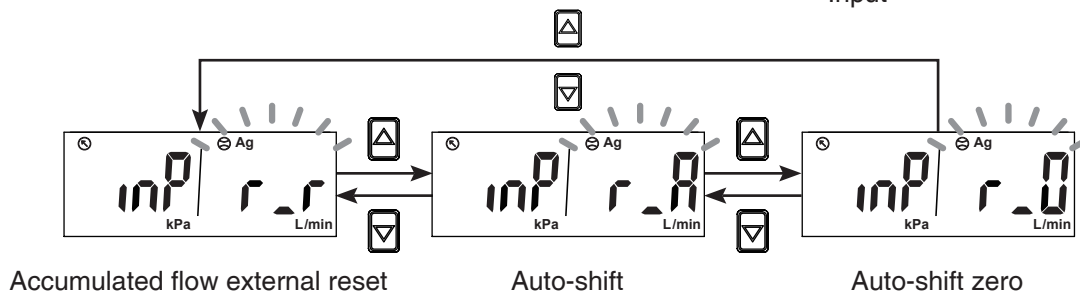
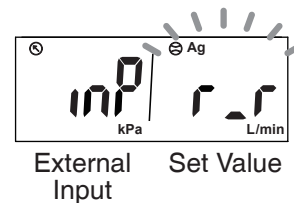
When external signal is input, please connect the input wire to GND for 30 ms or more.

Press  or  button at Function Selection Mode to display [F-92] [kPa].

Press  button

External Input Setting

Press  or  button to select external input function.



※ NOTE :



1. This function is not available with RS485 (Output Specification -02 and -04).
2. When external signal is input, the instantaneous flowrate value will be shown "0000".

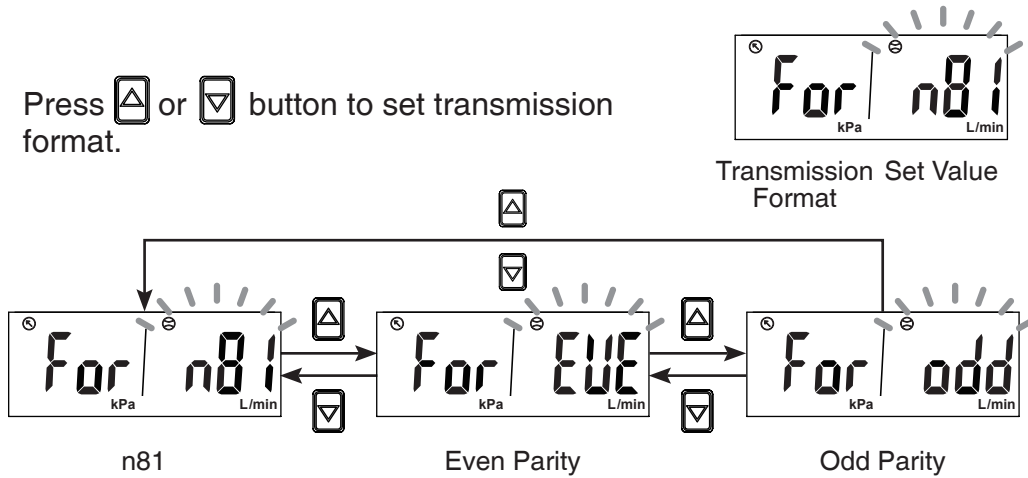


Press  button to return to Function Selection Mode



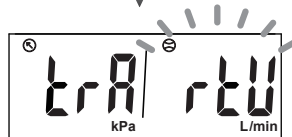
Transmission Format Setting

Press  or  button to set transmission format.




※ NOTE : This function only available for RS485 (Output Specification -02 and -04).

Press  button



RTU mode

Press  button to return to Function Selection Mode



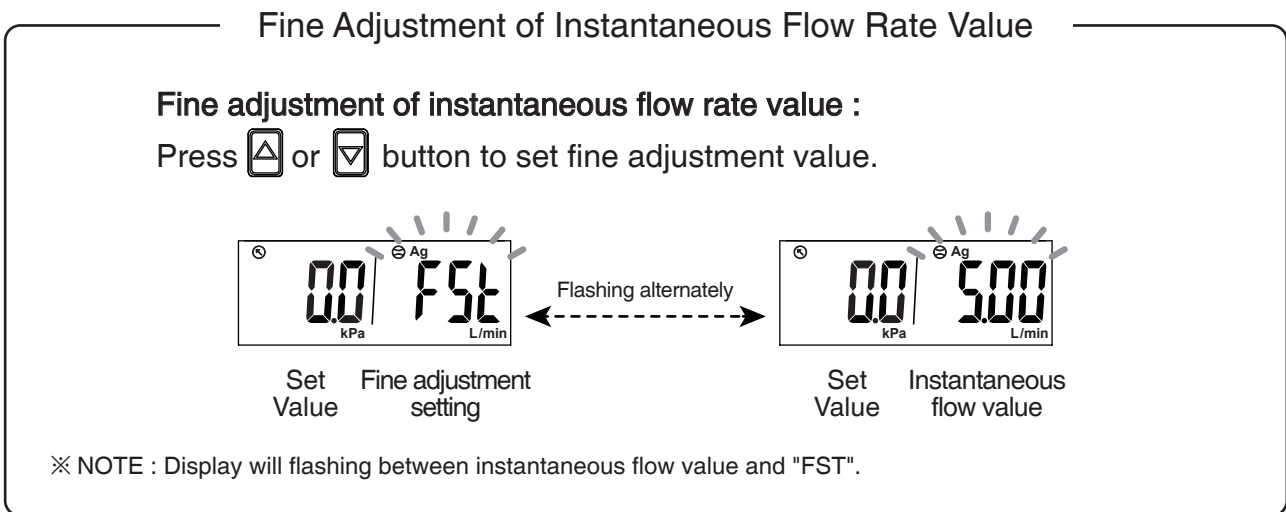
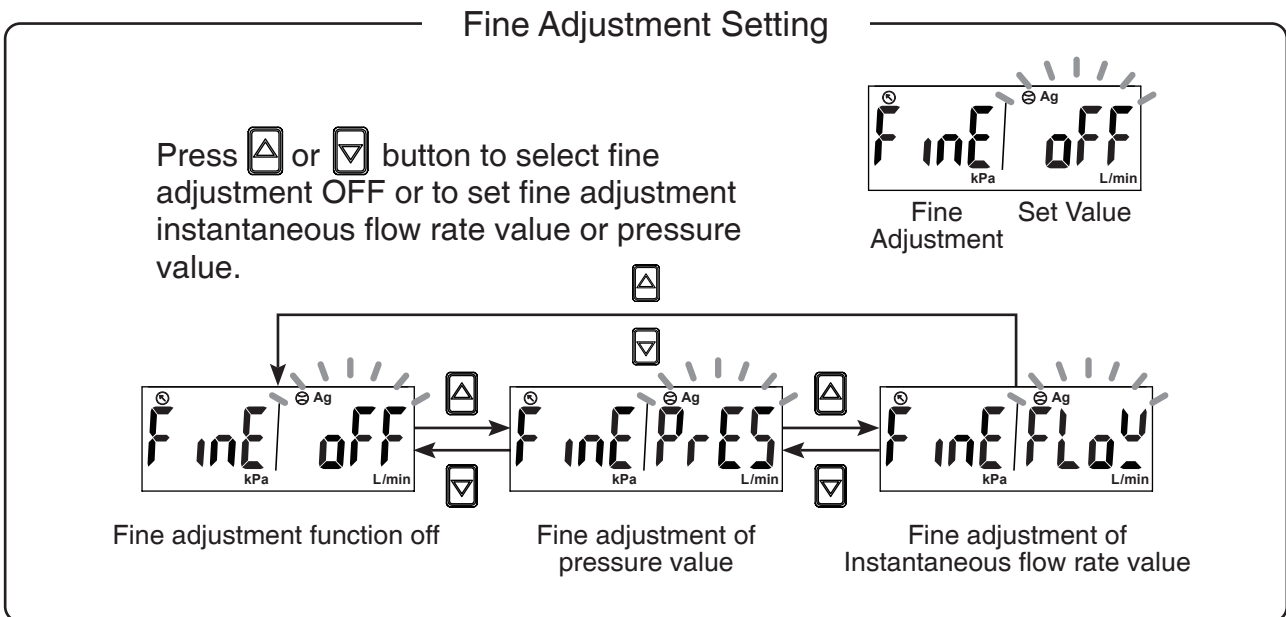
2.3.17 [F-94] Fine Adjustment Setting

This function is to fine adjust flow and pressure display values. Display values can be calibrated to within $\pm 2.5\%$ R.D.

● 1. Fine adjustment of instantaneous flow value

Press or button at Function Selection Mode to display [F-94] [F inE].

Press button



Press button

Return to the measurement mode

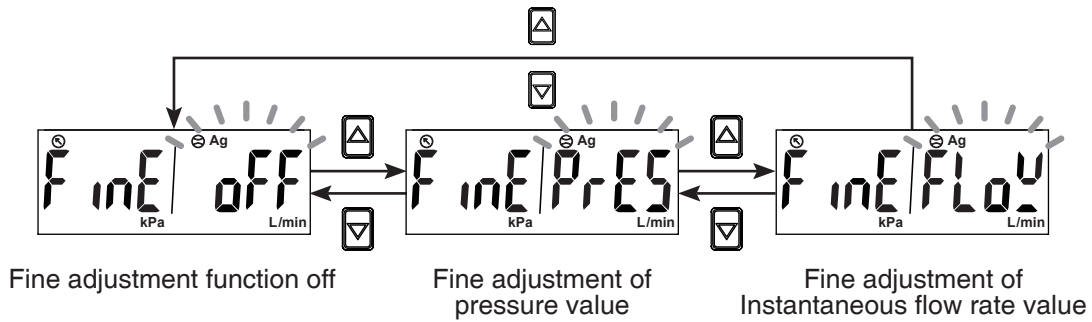
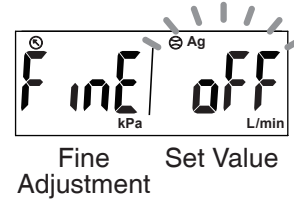
● 2. Fine adjustment of pressure value

Press or button at Function Selection Mode to display [F-94] [F inE].

Press button

Fine Adjustment Setting

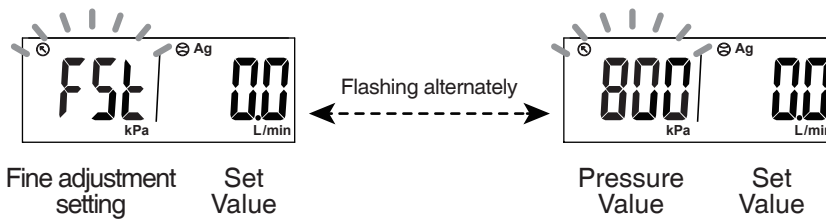
Press or button to select fine adjustment function off or select fine adjustment of instantaneous flow value or pressure value.



Fine Adjustment of Pressure Value

Fine adjustment of pressure value :

Press or button to setting fine adjustment of display value.



※ NOTE : Display will flashing between pressure value and "FST".

Press button

Return to the measurement mode

2.3.18 [F-95] Forced Output Function


To force output ON/OFF to test the switch function.

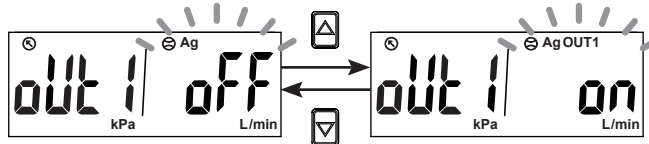
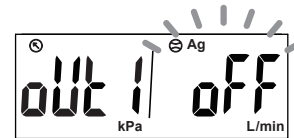
Press  or  button at Function Selection Mode to display [F-95] [F_{OUT}].

Press  button



OUT1 setting

Press  or  button to setting OUT1.



OUT1 OFF

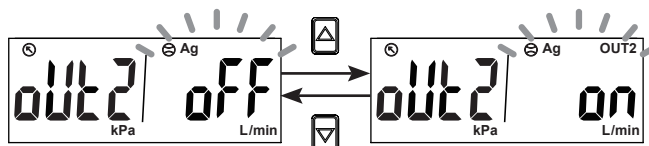
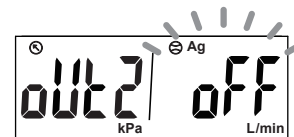
OUT1 ON

Press  button




OUT2 setting

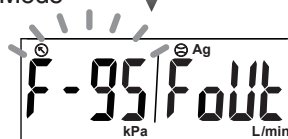
Press  or  button to setting OUT2.



OUT2 OFF

OUT2 ON

Press  button to return to Function Selection Mode

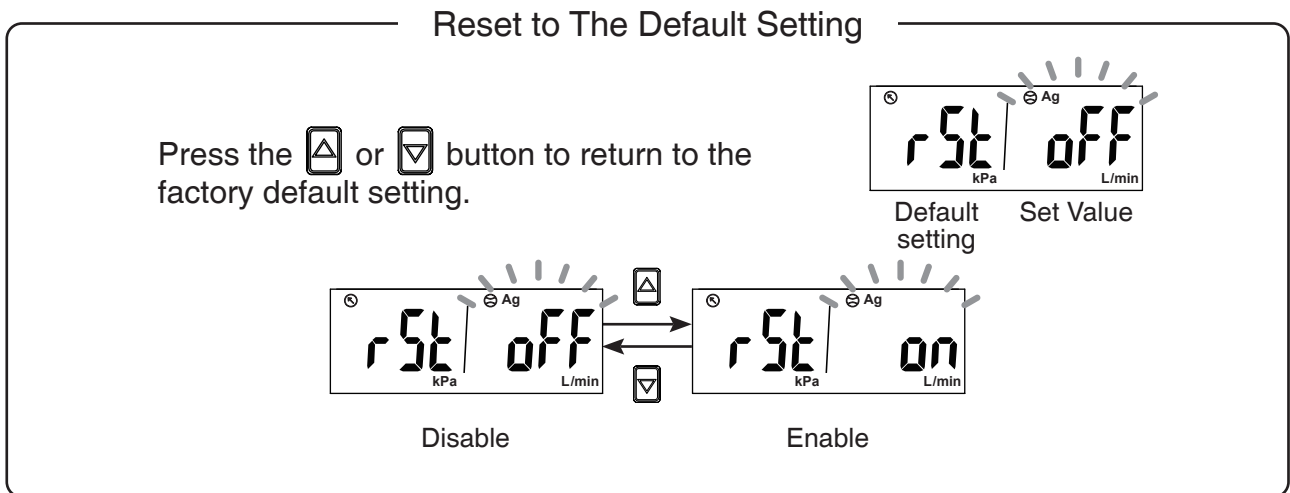


2.3.19 [F-99] Reset to the Default Setting

The factory default settings can be restored.

Press  or  button at Function Selection Mode to display [F-99] [rESt].

Press  button





Press  button to return to Function Selection Mode



2.3.20 Pressure Zero Adjustment Function

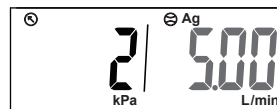
The displayed value can be adjusted to "0" when the pressure is within $\pm 3\%$ F.S. of the zero point at the time of shipment from the factory.

< Operation >

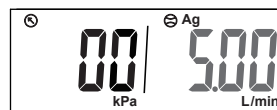
Press  and  button simultaneously over 3 sec. at the measurement mode (not Accumulated flow value display mode) until display [00].

And release holding the button to return measurement mode.

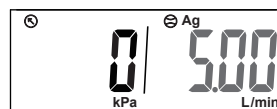
Measurement mode



Press  and  button simultaneously over 3 sec.



To release holding the button to return measurement mode.





Pressure value return zero.

2.3.21 Instantaneous Flow Zero Adjustment Function

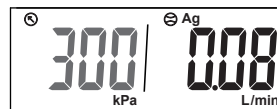
The displayed value can be adjusted to "0" when the measured flow is within $\pm 5\%$ F.S. of the zero point at the time of shipment from the factory.

< Operation >

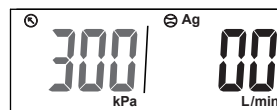
Press  and  button simultaneously over 3 sec. at the measurement mode (not Accumulated flow value display mode) until display [00].

And release holding the button to return measurement mode.

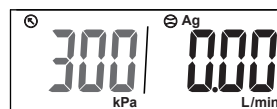
Measurement mode



Press  and  button simultaneously over 3 sec.



To release holding the button to return measurement mode.





Instantaneous flow value return zero.

2.3.22 Reset Accumulated Flow Function

Accumulate flow value return to zero.

< Operation >

Press  and  button simultaneously over 3 sec. at the measurement mode (Accumulated flow value mode) until display zero.

And release holding the button to return measurement mode.

Measurement mode



Press  and  button simultaneously over 3 sec.





Accumulated value display zero.
To release holding the button to
return measurement mode.

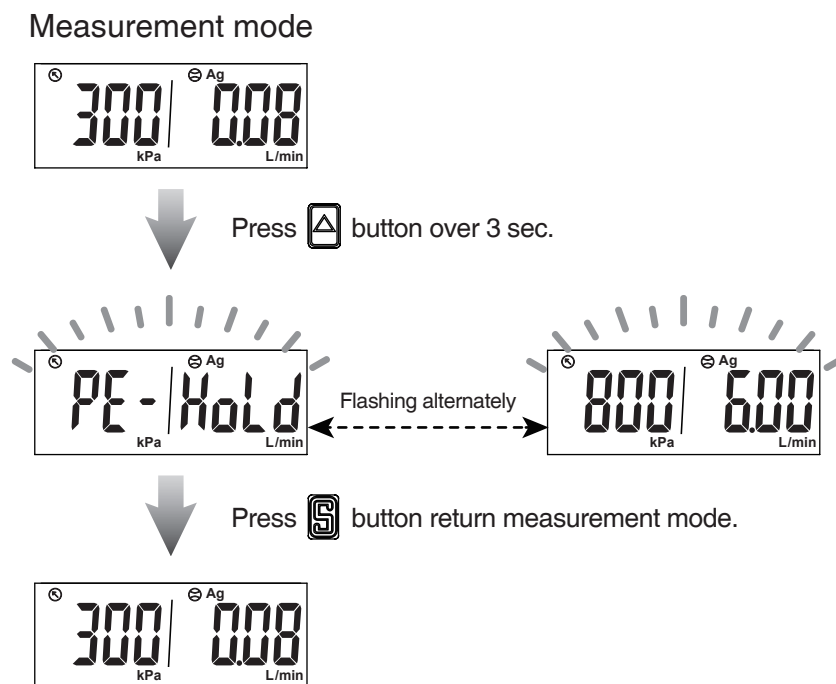
2.3.23 Peak Value Display

The maximum pressure and instantaneous flow, from when the power was supplied to this moment, is detected and updated.

< Operation >

Press  button over 3 sec. at the measurement mode. The maximum value will be displayed flashing, and is held.


Press  button return to the measurement mode.




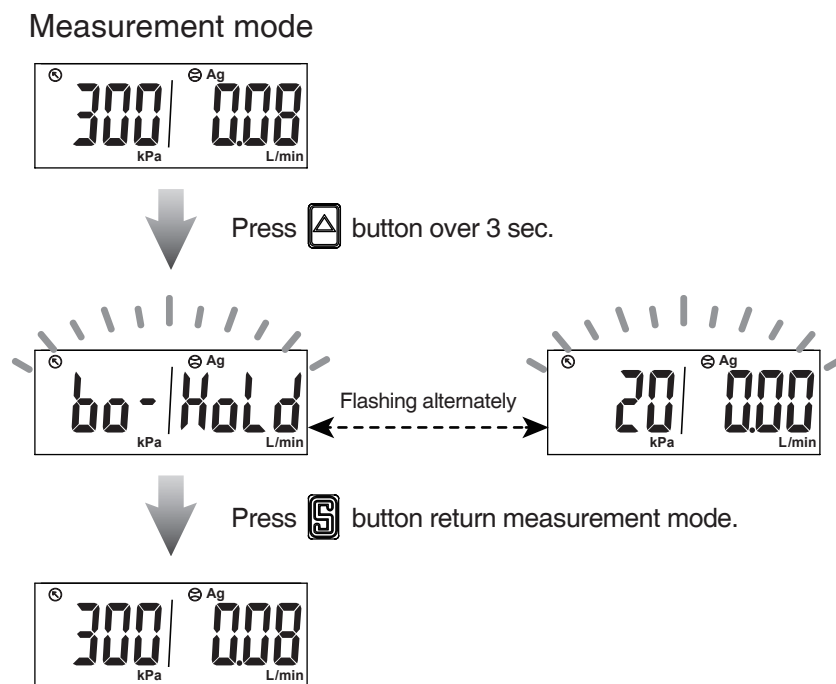
2.3.24 Bottom Value Display

The minimum pressure and instantaneous flow, from when the power was supplied to this moment, is detected and updated.

< Operation >

Press  button over 3 sec. at the measurement mode. The minimum value will be displayed flashing, and is held.


Press  button return to the measurement mode.

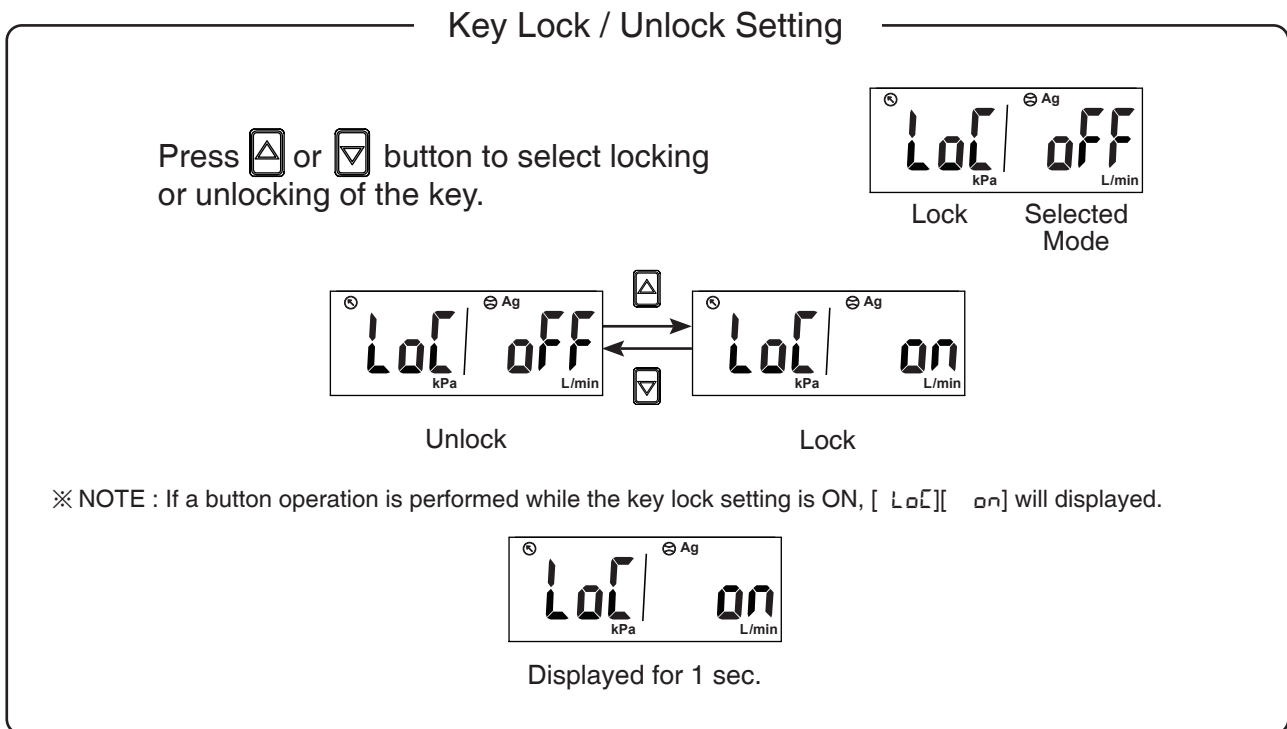


2.3.25 Key Lock Mode

Prevent accidental changes to settings parameters. When lock function is ON and user mistakenly presses button, screen will display [LoL][on] for 1 sec.

< Operation >

Press  button over 5 sec. at measurement mode to select key lock/unlock setting.



3 Modbus RTU Instruction

Function Code	Explanation	Operation
0000H	ID Number (0 ~ 255) Range : 0 ~ 255	Read Write
0001H	Baud rate setting 0 : 9600 bps 1 : 19200 bps 2 : 38400 bps	Read Write
0002H	Transmission format setting 0 : N.8.1 1 : E.8.1 2 : O.8.1	Read Write
0003H	Communications protocol setting 0 : RTU	Read Write
0004H	Measured flow rate range 0 : 500mL/min 1 : 1000mL/min 2 : 5L/min 3 : 10L/min 4 : 50L/min 5 : 100L/min 6 : 200L/min	Read
0005H	Instantaneous flow value	Read
0006H	Flow unit 0 : LPM (L/min or mL/min) 1 : CFM (ft ³ /min)	Read Write
0007H	Decimal place for flow value 0: None 1 : One decimal place 0.1 2 : Two decimal places 0.01 3 : Three decimal places 0.001	Read
0008H	Accumulated flow value (ADL) XXXX 9999	Read
0009H	Accumulated flow value (ADH) 9999 XXXX	Read
000AH	Flow reference standard 0 : ANR (Standard condition) 1 : NOR (Normal condition)	Read Write
000BH	Flow sensor display mode 0 : Instantaneous flow 1 : Accumulated flow	Read Write
000CH	Accumulated value hold 0 : None 1 : 2 min /times 2 : 5 min/times	Read Write
000DH	Flow display refresh time 0 : 200ms 1 : 500ms 2 : 1000ms	Read Write

Function Code	Explanation	Operation
000EH	Rated pressure range 3 : -100 ~ 1000 kPa	Read
000FH	Display pressure value	Read
0010H	Pressure unit 0 : kPa 1 : kgf/cm ² 2 : bar 3 : psi	Read Write
0011H	Decimal place for pressure value 1 : One decimal place 0.1 2 : Two decimal places 0.01 3 : Three decimal places 0.001	Read
0012H	Pressure display refresh time 0 : 200ms 1 : 500ms 2 : 1000ms	Read Write
0013H	Fine Adjustment Setting 0 : OFF 1 : FLOW SENSOR 2 : PRESSURE SENSOR	Read Write
0014H	Fine adjustment of display value -25 ~ 25 (-2.5% ~ +2.5%)	Read Write
0015H	Response time of flow sensor 0 : 50ms 4 : 400ms 1 : 80ms 5 : 800ms 2 : 120ms 6 : 1500ms 3 : 200ms	Read Write
0016H	Response time of pressure sensor 0 : 2.5ms 4 : 500ms 1 : 25ms 5 : 1000ms 2 : 100ms 6 : 1500ms 3 : 250ms	Read Write
0017H	OUT1 corresponding sensor 0 : FLOW SENSOR 1 : PRESSURE SENSOR	Read Write
0018H	OUT1 output mode FLOW 0 : HYS (Hysteresis) 1 : WIN (Window Comparator) 2 : ADD (Accumulated Output) 3 : PLS (Accumulated Pulse Output) <hr/> PRESSURE 0 : OPS (One Point Set) 1 : HYS (Hysteresis) 2 : WIN (Window Comparator)	Read Write
0019H	OUT1 output type 0 : N.O. mode 1 : N.C. mode	Read Write

Modbus RTU Instruction

Function Code	Explanation	Operation
001AH	Flow setting value FL- 1	Read Write
001BH	Flow setting value FH-1	Read Write
001CH	Flow setting value ADL1	Read Write
001DH	Flow setting value ADH1	Read Write
001EH	OUT1 fixed hysteresis setting for flow value HYS 1 ~ 8	Read Write
001FH	Pressure setting value P-1or L-1	Read Write
0020H	Pressure setting value H-1	Read Write
0021H	OUT1 fixed hysteresis setting for pressure value HYS 1 ~ 8	Read Write
0022H	OUT1 switch 0 : OFF 1 : ON	Read
0023H	OUT2 corresponding sensor 0 : FLOW SENSOR 1 : PRESSURE SENSOR	Read Write
0024H	OUT2 output mode FLOW 0 : HYS (Hysteresis) 1 : WIN (Window Comparator) 2 : ADD (Accumulated Output) <hr/> PRESSURE 0 : OPS (One Point Set) 1 : HYS (Hysteresis) 2 : WIN (Window Comparator)	Read Write
0025H	OUT2 output type 0 : N.O. mode 1 : N.C. mode	Read Write
0026H	Flow setting value FL-2	Read Write
0027H	Flow setting value FH-2	Read Write
0028H	Flow setting value ADL2	Read Write
0029H	Flow setting value ADH2	Read Write
002AH	OUT2 fixed hysteresis setting for flow value HYS 1 ~ 8	Read Write
002BH	Pressure setting value P-2 or L-2	Read Write
002CH	Pressure setting value H-2	Read Write
002DH	OUT2 fixed hysteresis setting for pressure value HYS 1 ~ 8	Read Write

Function Code	Explanation	Operation
002EH	OUT2 switch 0 : OFF 1 : ON	Read
002FH	Color display for OUT1 or OUT2 selection 0 : OUT1 1 : OUT2	Read Write
0030H	Display color setting 0 : SOG (Switch on Green) 1 : SOR (Switch on Red) 2 : GRN (Always is Green) 3 : RED (Always is Red)	Read Write
0031H	Power-save mode 0 : NO 1 : YES	Read Write
0032H	Reset to the default setting 0 : RECALL	Write
0033H	Instantaneous flow zero adjustment 0 : When over $\pm 5\%$ F.S., error code 03H will show.	Write
0034H	Pressure zero adjustment 0 : When over $\pm 3\%$ F.S., error code 03H will show.	Write
0035H	Reset accumulated flow 0 : Accumulated flow value return to zero	Write
0036H	Key lock/unlock setting 0 : OFF 1 : ON	Read Write
0037H	Switch output 0 : NPN 1 : PNP	Read
0038H	Fluid setting 0 : Dry Air or N ₂ 1 : Ar 2 : CO ₂	Read Write

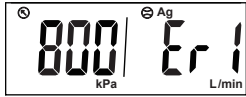

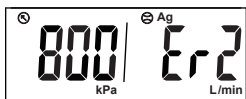



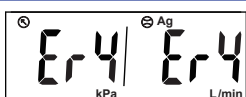




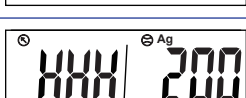
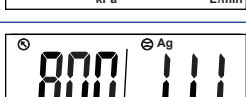

● Read / Write Code

Read/Write Code	Explanation
03H	Read pressure sensor data Range 1 ~ 4 data Number, 2 ~ 8 Bytes
06H	Write pressure sensor data

● Error Code Description

Error Code	Explanation
01H	Read / Write error
02H	Function Code error
03H	Illegal data or over setting value

4 Error Code Instruction

Error Type	Error Code	Error Condition	Troubleshooting
OUT1 Excess Load Current Error		Output 1 load current is more than 125 mA	Turn power off and check the cause of overload current or lower the current load under 125 mA, then restart.
			
OUT2 Excess Load Current Error		Output 2 load current is more than 125 mA	
			
Zero Adjustment Error		The instantaneous flow is over $\pm 5\%$ F.S. of the zero point.	Perform the zero clear function again under no flow conditions.
		The pressure value is over $\pm 3\%$ F.S. of the zero point.	Perform the zero clear function again under no pressure conditions.
System Error		Memory error	Turn power off, and then restart. If error condition remains, please return to factory for inspection.
		Internal data error	
		Internal data error	
		System parameter error	
Applied Flow/Pressure Error		The instantaneous flow has exceeded the upper limit of the flow display range.	Reduce the flow to the display range.
		The pressure has exceeded the upper limit of the pressure display range.	Reduce the pressure to the display range.
		The instantaneous flow has exceeded the lower limit of the flow display range.	Ensure the flow is in the correct direction.
		The pressure has exceeded the lower limit of the pressure display range.	Increase the pressure to the display range.

5 Specifications

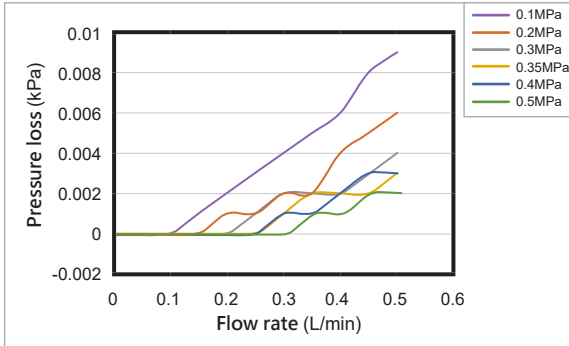
Model		005	010	050	100	500	101	201		
Fluid		Dry air, N ₂ , CO ₂ , Ar, Non-corrosive / Non-flammable gas								
Sensor Element	Flow	Measured flow rate range	0 ~ 500 mL/min	0 ~ 1000 mL/min	0 ~ 5 L/min	0 ~ 10 L/min	0 ~ 50 L/min	0 ~ 100 L/min	0 ~ 200 L/min	
		Flow Direction	Unidirection							
	Pressure	Rated Pressure Range	-100 ~ 1000 kPa							
		4 digital x 4 digital, 7 segment LCD display (Red / Green / Orange)								
Display	Instant Flow Rate	Display Range	0 ~ 525 mL/min	0 ~ 1050 mL/min	0 ~ 5.25 L/min	0 ~ 10.50 L/min	0 ~ 52.5 L/min	0 ~ 105.0 L/min	0 ~ 210 L/min	
		Minimum Setting Scale	LPM	1 mL/min	1 mL/min	0.01 L/min	0.01 L/min	0.1 L/min	0.1 L/min	1 L/min
			CFM ^{*1}	0.01 ft ³ /min	0.01 ft ³ /min	0.1 ft ³ /min	0.1 ft ³ /min	1 ft ³ /min	1 ft ³ /min	1 ft ³ /min
	Accumulated Flow	Display Range	99999999 L	99999999 L	999999.99 L	999999.99 L	9999999.9 L	9999999.9 L	99999999 L	
		Minimum Setting Scale ^{*1}	1 mL	1 mL	0.01 L	0.01 L	0.1 L	0.1 L	1 L	
			0.01 ft ³	0.01 ft ³	0.1 ft ³	0.1 ft ³	1 ft ³	1 ft ³	1 ft ³	
Pressure Display	Pressure Display	Display Range	-100 ~ 1000 kPa							
		Minimum Setting Scale	kPa	1						
			kgf/cm ²	0.01						
			bar	0.01						
		psi	0.1							
Accuracy	Flow ^{*2}	Guaranteed Range	2 ~ 100 % F.S.							
		Indicator Accuracy	± 3% F.S. ± 1 digit ^{*3}							
		Analog Output Accuracy	± 5% F.S. ^{*3}							
		Repeatability	± 1% F.S. ± 1 digit ^{*4}							
		Linearity	± 3% F.S. ^{*4}							
		Temp. Characteristic	± 5% F.S. ^{*4}							
	Pressure	Pressure Characteristic	± 5% F.S. ± 1 digit ^{*5}							
		Guaranteed Range	0 ~ 100 % F.S.							
		Indicator Accuracy	± 2% F.S. ± 1 digit ^{*6}							
		Analog Output Accuracy	± 2.5% F.S. ^{*6}							
		Repeatability	± 0.2% F.S. ± 1 digit ^{*6}							
		Linearity	± 1% F.S. ^{*6}							
	Temp. Characteristic	± 2% F.S. ^{*6}								
Switch Output	Output Mode	Flow	2 NPN : open collector 2 outputs Max. Load Current : 125 mA Max. Supply Voltage : 24 V DC Voltage Drop : ≤ 1.5 V							
		Pressure	2 PNP : open collector 2 outputs Max. Load Current : 125 mA Max. Supply Voltage : 24 V DC Voltage Drop : ≤ 1.5 V							
		Hysteresis Mode, Window Comparator Mode, Accumulated Output, Accumulated Pulse Output								
	Hysteresis	One Point Set Mode, Hysteresis Mode, Window Comparator Mode								
	Response Time	Flow	Adjustable							
		Pressure	800 ms (50, 80, 120, 200, 400, 1500 ms selectable)							
	Output Short Circuit Protection	2.5 ms (25, 100, 250, 500, 1000, 1500 ms selectable)								
Analog Output	Voltage Output	Yes								
		5 mL/Pulse	10 mL/Pulse	0.05 L/Pulse	0.1 L/Pulse	0.5 L/Pulse	1 L/Pulse	2 L/Pulse		
	Accumulated Pulse Output ^{*1}	0.02 ft ³ /Pulse	0.04 ft ³ /Pulse	0.2 ft ³ /Pulse	0.4 ft ³ /Pulse	2 ft ³ /Pulse	4 ft ³ /Pulse	7 ft ³ /Pulse		
External Input	Voltage Output	Voltage Output Range : 1 ~ 5 V ^{*7} Output Impedance : 1 kΩ								
	Current Output	Current Output Range : 4 ~ 20mA ^{*7} Load Impedance : ≤ 300 Ω								
Communication Interface	Non-voltage input , < 0.4 V , ≥ 30 ms									
Power	RS485 ^{*8}									
Environment	Power Supply Voltage	12 ~ 24V DC ± 10 % , Ripple (P-P) ≤ 10 % (UL class 2)								
	Current Consumption	≤ 50 mA								
	Withstand Pressure	1 MPa								
	Enclosure	IP40								
	Working Fluid Temp.	0 ~ 50°C (No condensation or freezing)								
	Ambient Temp. Range	Operation : 0 ~ 50°C ; Storage : -10 ~ 60°C (No condensation or freezing)								
	Ambient Humidity Range	Operation / Storage : 35 ~ 85 % R.H. (No condensation)								
	Withstand Voltage	1000V AC in 1-min (between case and lead wire)								
Insulation Resistance	≥ 50 MΩ (500V DC , between case and lead wire)									
Vibration	Total amplitude 1.5 mm or 10 G, 10 Hz - 55 Hz - 10 Hz scan for 1 minute, 2 hours each direction of X, Y and Z									
Shock	100 m/s ² (10 G) , 3 times each in direction of X, Y and Z									
Lead Wire	Ø4 PVC - 26 AWG (0.15 mm ²) - 6 cores									
Weight (with 2 meter lead wire)	Approx. 112.1g (Ø6 port) ; Approx. 116g (Ø8 port) ; Approx. 122.4g (Rc1/4" port) ; Approx. 132.4g (Rc1/8" port)									

NOTE :

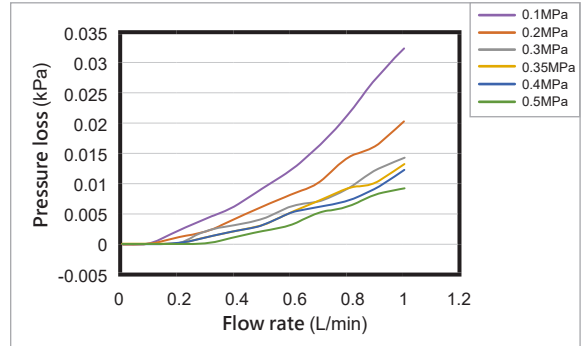
- *1. CFM (ft³/min x 10⁻³) and ft³ x 10⁻²
- *2. Accuracy: It is based on dry compressed air and KITA standard flow meter.
It is a reference only for other gases.
- *3. CONDITION : Inlet Pressure : 300 kPa , Outlet Pressure : 1 atmospheric pressure, 25 °C.
- *4. CONDITION : Outlet Pressure : 1 atmospheric pressure, 25 °C.
- *5. -100 ~ 1000 kPa, Outlet Pressure : 1 atmospheric pressure, 25 °C.
- *6. Outlet flow rate = 0 L/min, 25 °C
- *7. Corresponding to pressure sensor 0 ~ 1000 kPa
- *8. This function only available for Output Specification -02 and -04.

6 Pressure Loss Characteristics

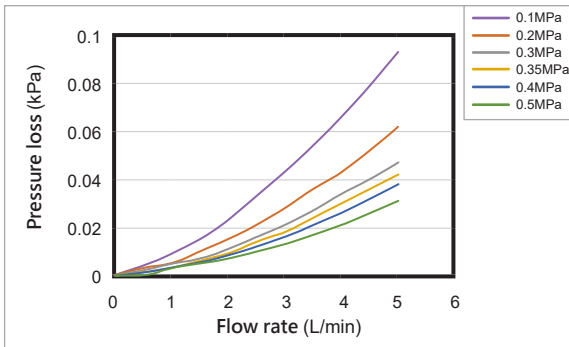
● KFP01A-005 (0.5 L/min)



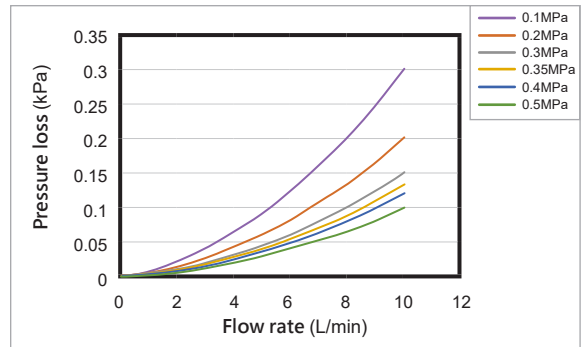
● KFP01A-010 (1 L/min)



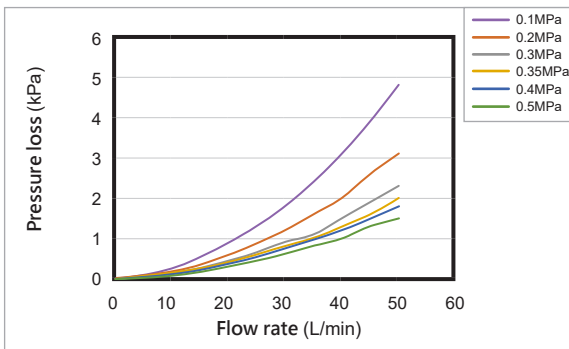
● KFP01A-050 (5 L/min)



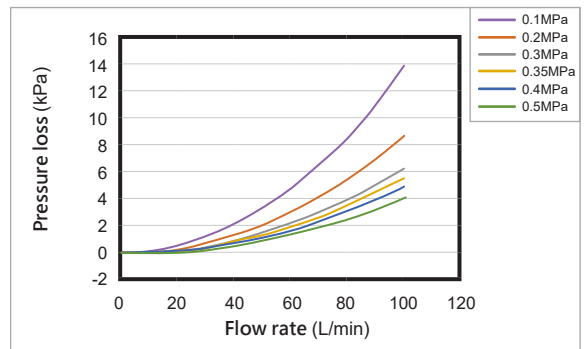
● KFP01A-100 (10 L/min)



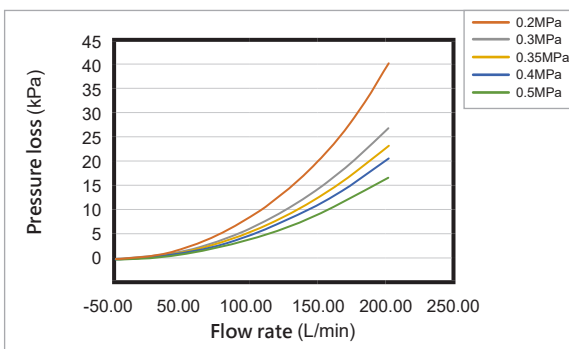
● KFP01A-500 (50 L/min)



● KFP01A-101 (100 L/min)

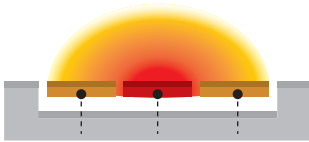


● KFP01A-201 (200 L/min)



7 Thermal Mass Flow Sensor Principles

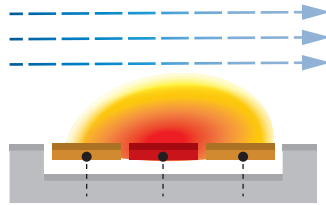
**Symmetric Temperature Profile
No Flow**



Temperature Sensor 1 Heating Element Temperature Sensor 2
(a) : No Flow

In the absence of flow, the heat from the heater spreads evenly left and right, so the temperature distribution is like (a).

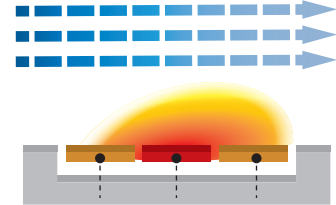
**Skewed Temperature Profile
Small Flow**



Temperature Sensor 1 Heating Element Temperature Sensor 2
(b) : Small Flow

When flow begins, the inlet side is cooled by the flow, the outlet side is warmed by the heat of the inlet side of the heater, and the temperature distribution is like (b).

**Skewed Temperature Profile
Large Flow**



Temperature Sensor 1 Heating Element Temperature Sensor 2
(c) : Large Flow

When the flow increases, it becomes a distribution like (C). Since the temperature distribution before and after the heater is proportional to the flow rate, the flow rate can be determined from the ratio.

8 Ordering Information

K F P 0 1 A - 0 0 5 - 0 1 0 - R 6

Flow Rate Range

005 : 500 mL/min 500 : 50 L/min
 010 : 1000 mL/min 101 : 100 L/min
 050 : 5 L/min 201 : 200 L/min
 100 : 10 L/min

Output Specifications

010 : 2 NPN output + Analog output 1~5V
 011 : 2 NPN output + Analog output 4~20mA
 02 : 2 NPN output + RS485
 030 : 2 PNP output + Analog output 1~5V
 031 : 2 PNP output + Analog output 4~20mA
 04 : 2 PNP output + RS485

Port Size

R6 : Ø6 mm, for Flow Rate Range 005, 010, 050, 100, 500.
 R8 : Ø8 mm, for Flow Rate Range 101, 201.
 F1C : Rc1/8", with internal threads, for Flow Rate Range 005, 010, 050, 100, 500.
 F4C : Rc1/4", with internal threads, for Flow Rate Range 101, 201.

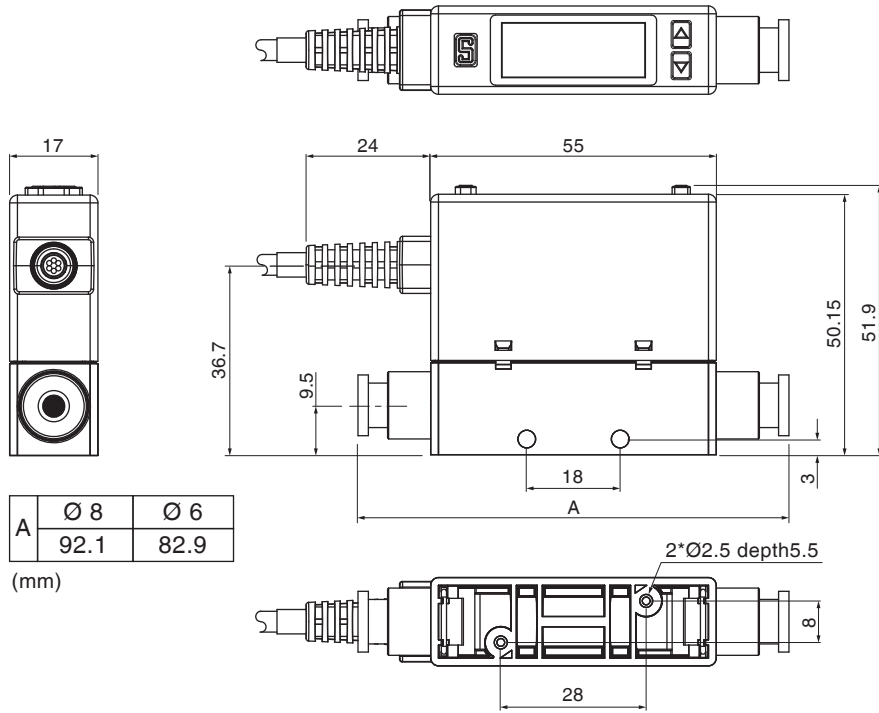
Optional Parts

BT-26 : Mounting bracket
 PA-G : Panel adapter
 PA-H : Panel adapter + Front protective lid

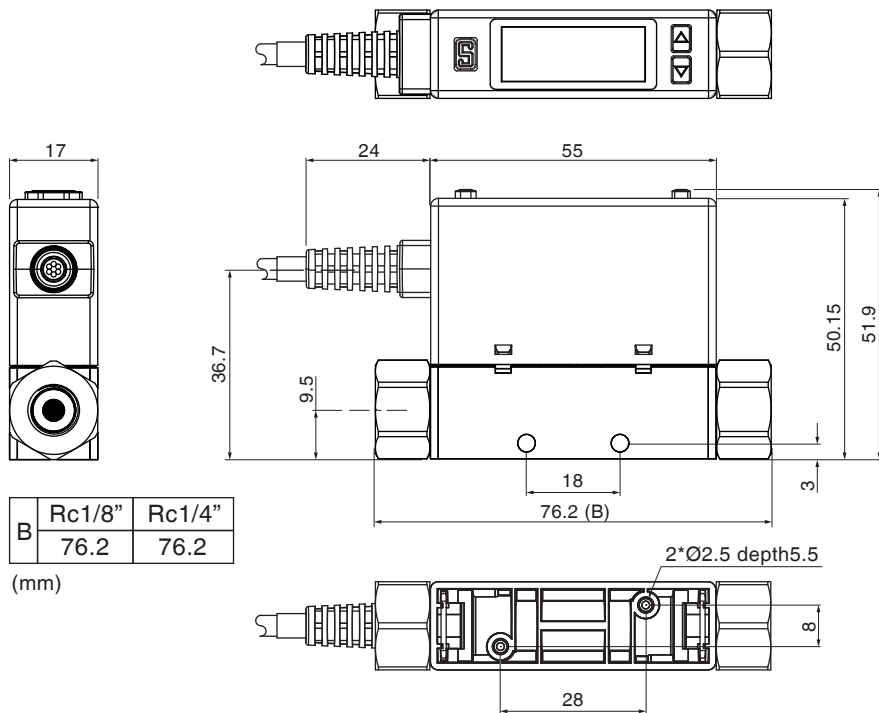
9 Dimensions

1. Product

- Ø6, Ø8

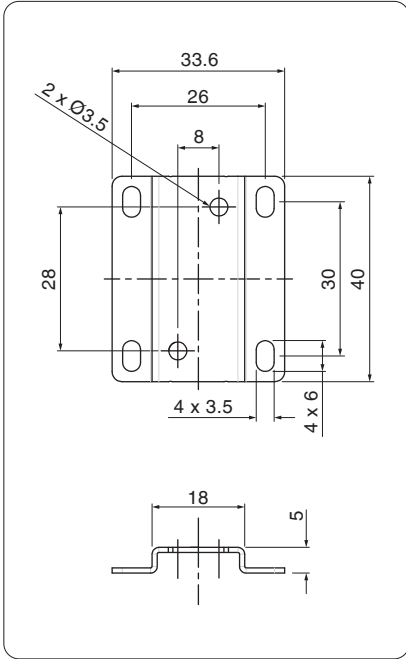


- Rc1/8", Rc1/4"

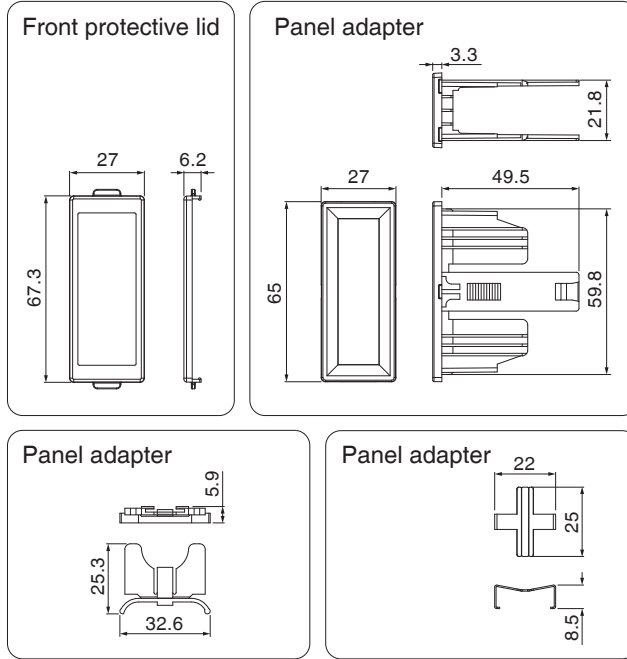


Unit : mm

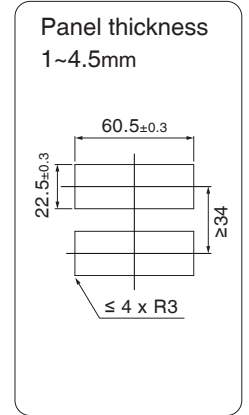
2. Mounting Bracket



3. Panel Mounting



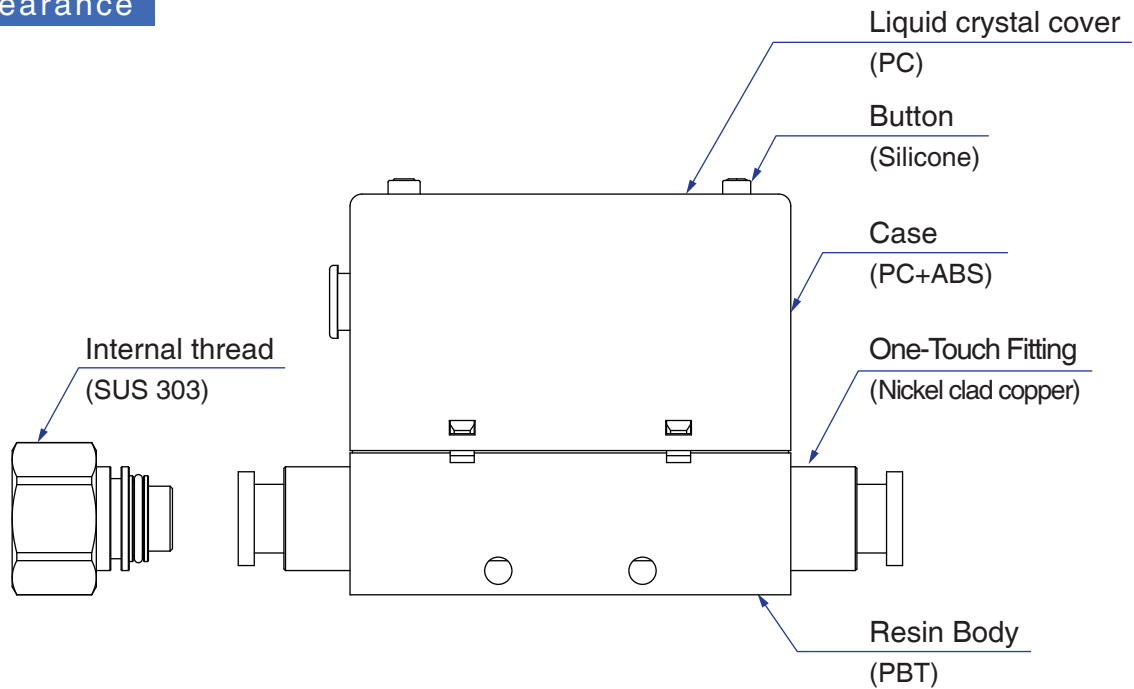
4. Panel Cut-Out



Unit : mm

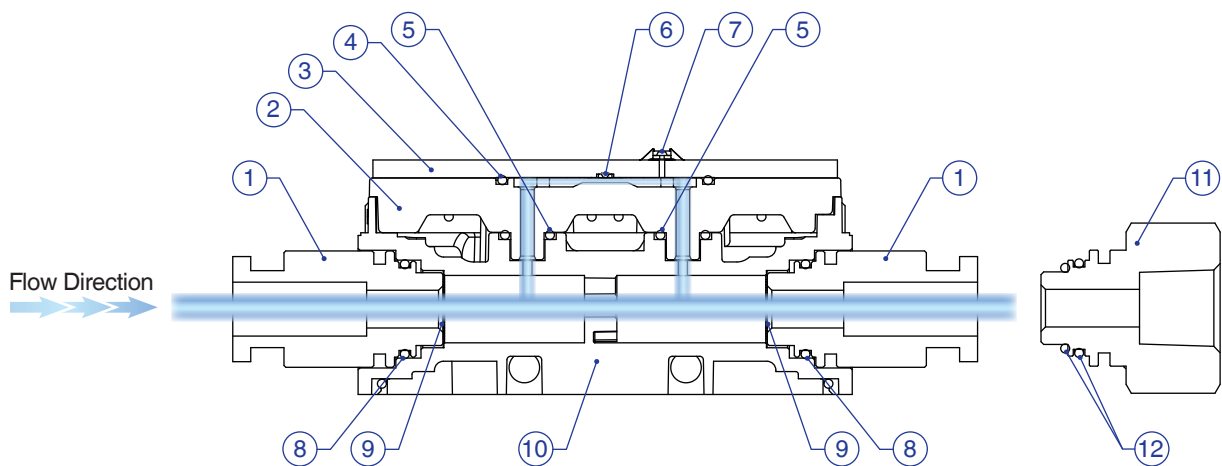
10 Construction

Appearance



Wetted Parts

- Flow Rate Range 005, 010, 050, 100



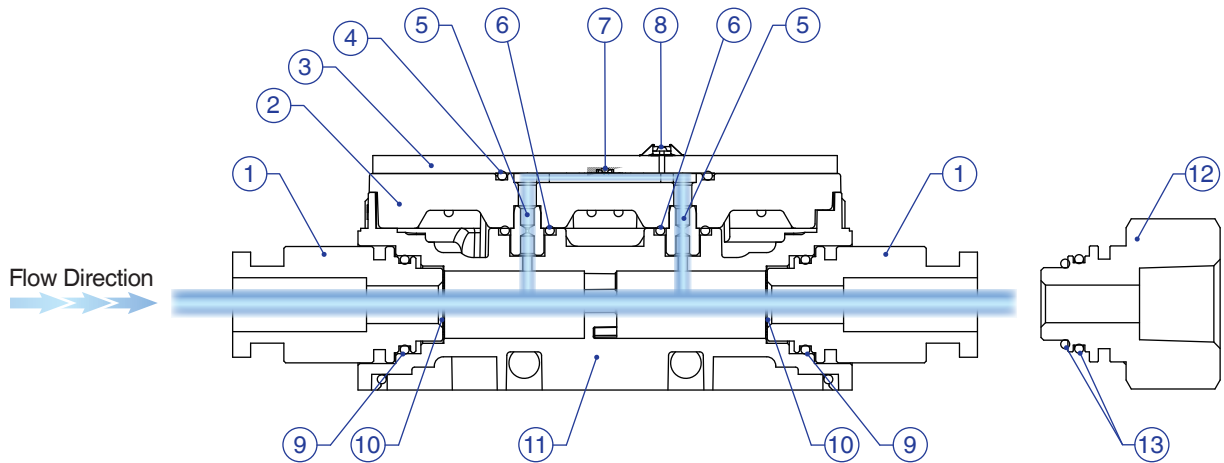
Component Parts

NO.	Description	Material
1	One-Touch Fitting	Nickel clad copper
2	Module Holder	PBT
3	Sensor Board	GE4F
4	O-ring	Viton
5	O-ring	Viton
6	Sensor	Si

NO.	Description	Material
7	Sensor	Si
8	O-ring (One-Touch Fitting)	NBR
9	Port Filter	SUS 304
10	Resin Body	PBT
11	Internal thread	SUS 303
12	O-ring (Internal thread)	Viton

Wetted Parts

● Flow Rate Range 500

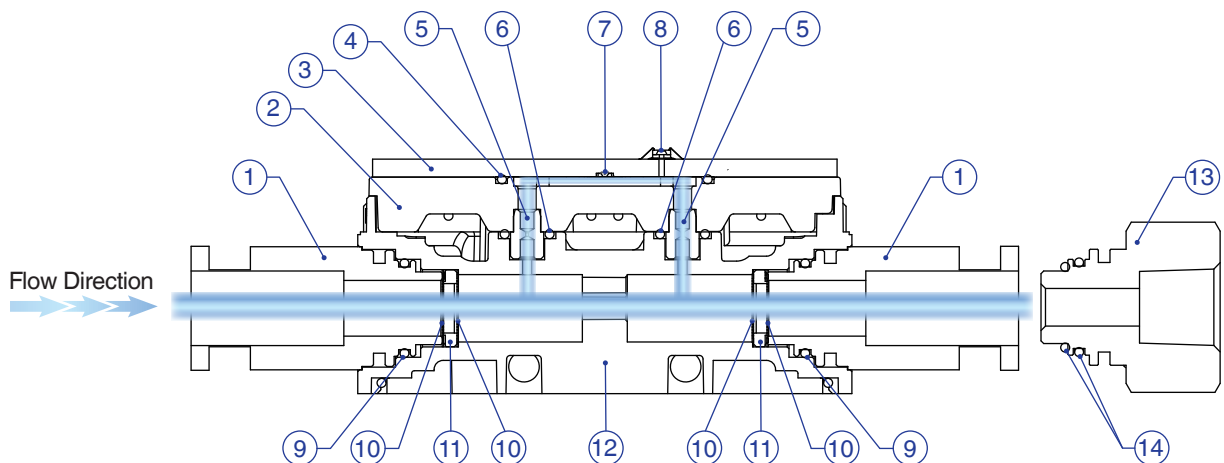


Component Parts

NO.	Description	Material
1	One-Touch Fitting	Nickel clad copper
2	Module Holder	PBT
3	Sensor Board	GE4F
4	O-ring	Viton
5	Throttle	SUS 303
6	O-ring	Viton
7	Sensor	Si

NO.	Description	Material
8	Sensor	Si
9	O-ring (One-Touch Fitting)	NBR
10	Port Filter	SUS 304
11	Resin Body	PBT
12	Internal thread	SUS 303
13	O-ring (Internal thread)	Viton

● Flow Rate Range 101, 201



Component Parts

NO.	Description	Material
1	One-Touch Fitting	Nickel clad copper
2	Module Holder	PBT
3	Sensor Board	GE4F
4	O-ring	Viton
5	Throttle	SUS 303
6	O-ring	Viton
7	Sensor	Si

NO.	Description	Material
8	Sensor	Si
9	O-ring (One-Touch Fitting)	NBR
10	Port Filter	SUS 304
11	Spacer	PPS
12	Resin Body	PBT
13	Internal thread	SUS 303
14	O-ring (Internal thread)	Viton

